

Vibo KOMBI 2.0

Product Features

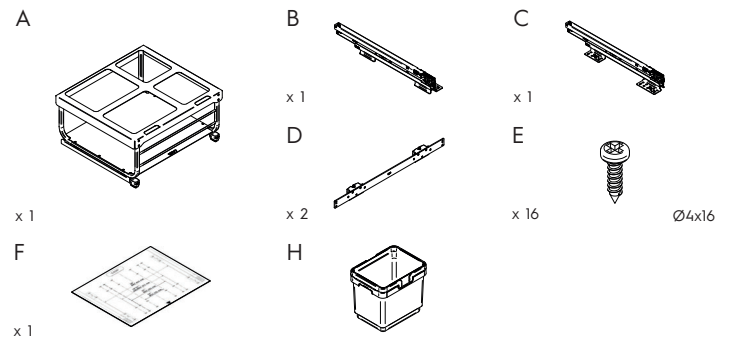


Marathon and Vibo's collaborative innovation, the Mini Kombi is the ideal solution for undersink waste storage. Effortlessly integrating into any kitchen with pullout or hinge-operated setups, these European-crafted systems support a hefty 40kg, fitting four key cabinet sizes - 15", 18", 21", and 24" - for unmatched durability and adaptability.

- Available in 4 widths: 15", 18", 21" and 24"
- Bottom mounted for easy installation on the floor of the cabinet
- Height: 334mm (13-5/32")†
- Compatible with 5/8" and 3/4" gables
- Adjustable door mount included
- Load capacity: 40kg (88lbs)

What's In the Box

- Frame
- Slides
- Screws
- Bins
- Template



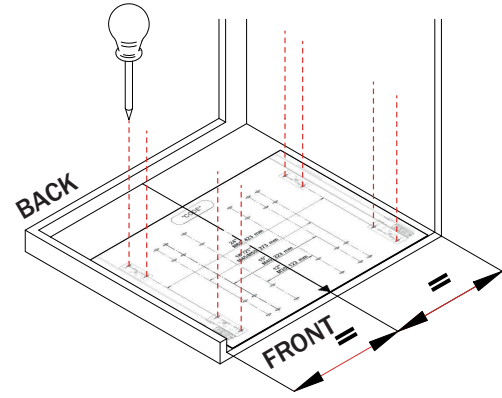
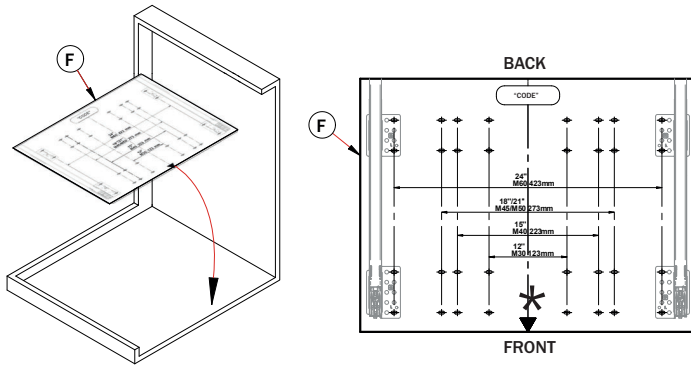
Size	Capacity	Pull Out Dimensions (W x H x D)	Hinge Dimensions	Part#
15"	2x 12L	331mm x 334mm x 481mm (13 1/32" x 13 5/32" x 18 15/16")	330mm x 334mm x 481mm (12 65/64" x 13 5/32" x 18 15/16")	041-VMK15-24-IS
18"	2x 7L + 1x 16L	407mm x 334mm x 481mm (16 1/32" x 13 5/32" x 18 15/16")	380mm x 334mm x 481mm (14 1/64" x 13 5/32" x 18 15/16")	041-VMK18-30-IS*
	2x 16L	407mm x 334mm x 481mm (16 1/32" x 13 5/32" x 18 15/16")	380mm x 334mm x 481mm (14 1/64" x 13 5/32" x 18 15/16")	041-VMK18-32-IS*
21"	2x 7L + 1x 16L	483mm x 334mm x 481mm (19 1/64" x 13 5/32" x 18 15/16")	380mm x 334mm x 481mm (14 1/64" x 13 5/32" x 18 15/16")	041-VMK21-30-IS*
	2x 16L	483mm x 334mm x 481mm (19 1/64" x 13 5/32" x 18 15/16")	380mm x 334mm x 481mm (14 1/64" x 13 5/32" x 18 15/16")	041-VMK21-32-IS*
24"	2x 12L + 2x 7L	559mm x 334mm x 481mm (22 1/64" x 13 5/32" x 18 15/16")	530mm x 334mm x 481mm (20 55/64" x 13 5/32" x 18 15/16")	041-VMK24-38-IS
	2x 20L	559mm x 334mm x 481mm (22 1/64" x 13 5/32" x 18 15/16")	530mm x 334mm x 481mm (20 55/64" x 13 5/32" x 18 15/16")	041-VMK24-40-IS*
--	--	--	--	041-VK-TOUCH

* optional compost bin available



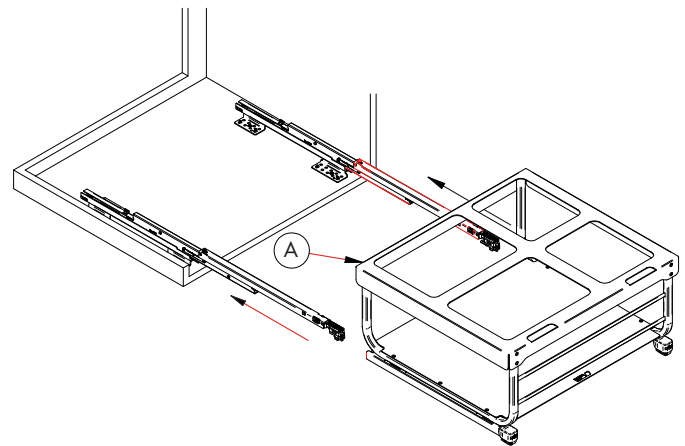
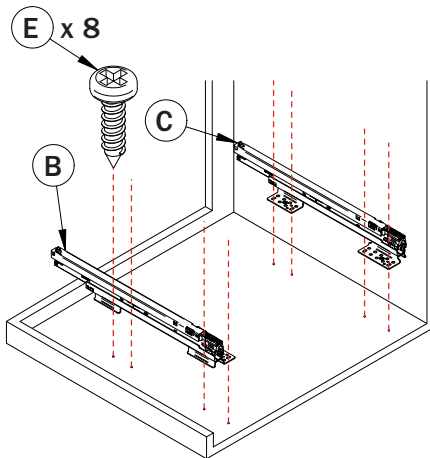
Installation Step #1

Step #2



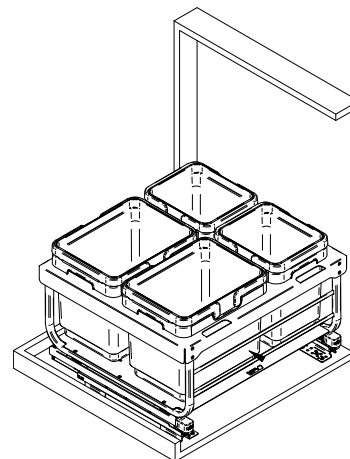
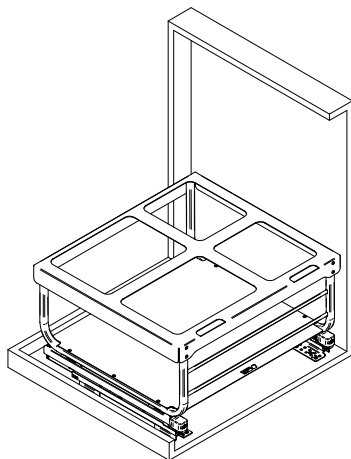
Step #3

Step #4



Step #5

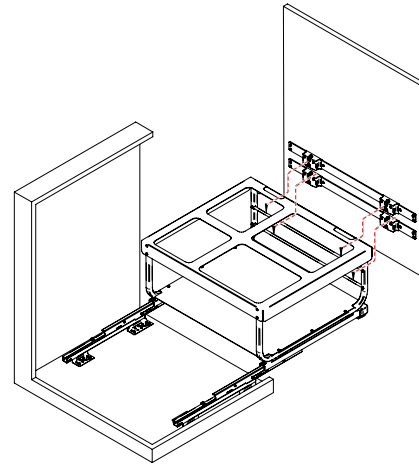
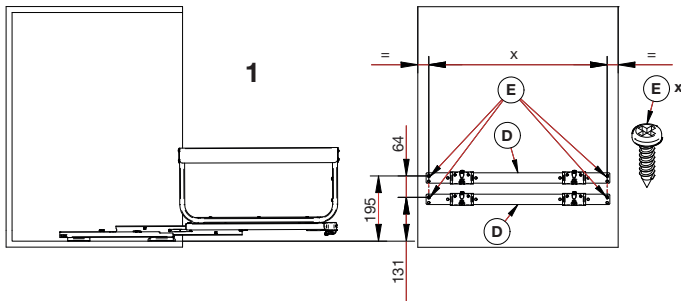
Step #6



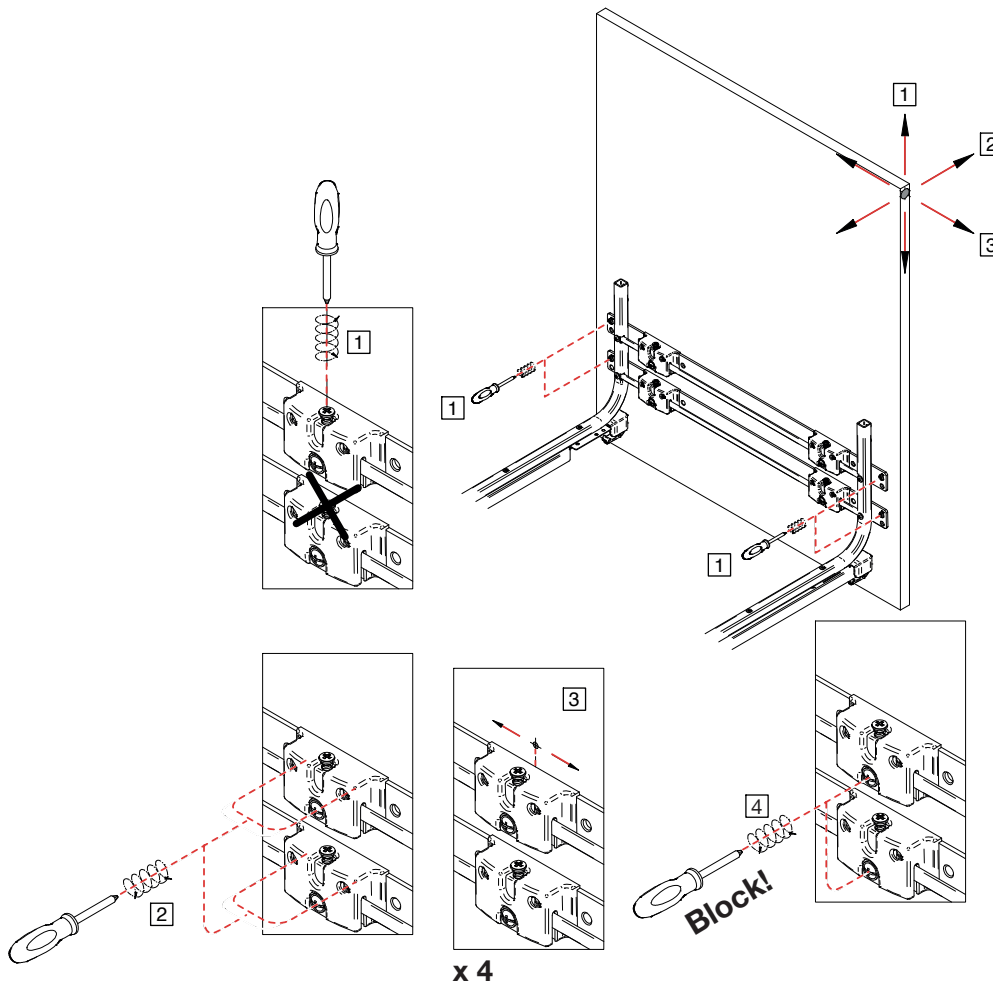


Step #7

Step #8

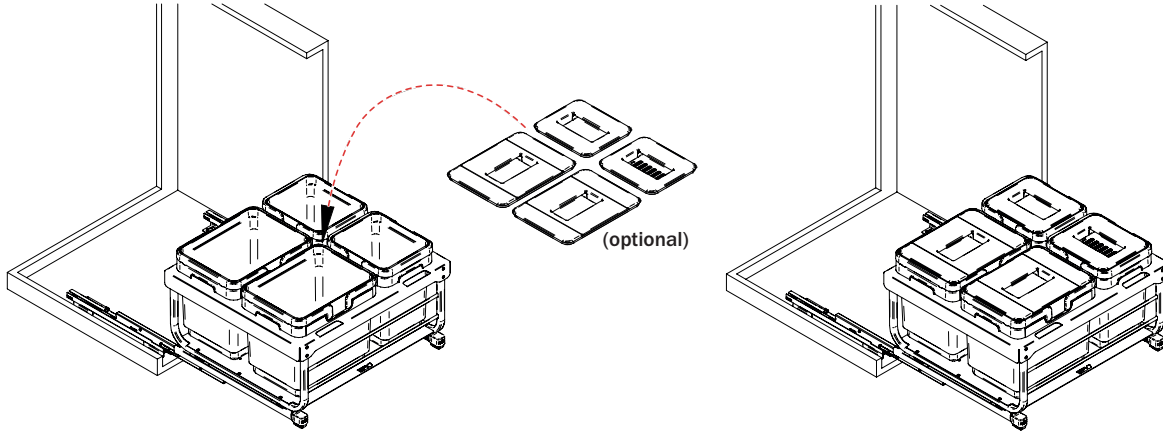


Step #9

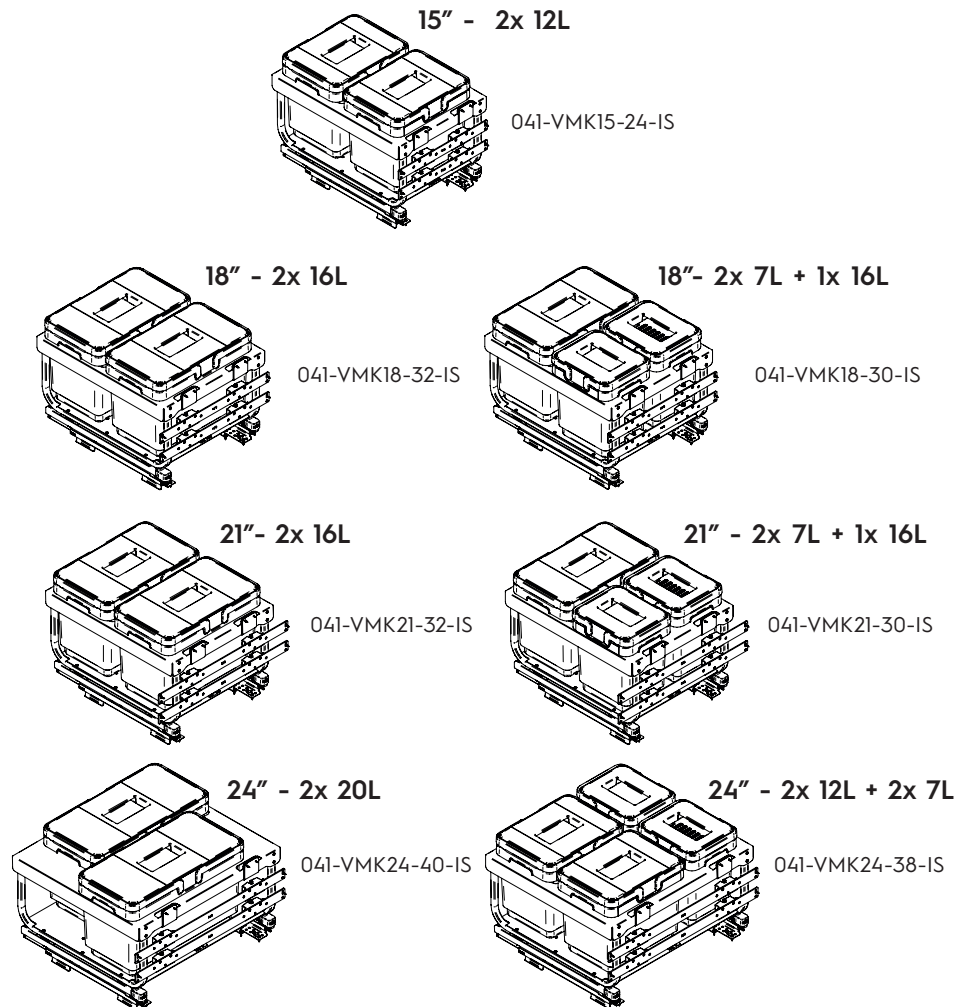




Step #10



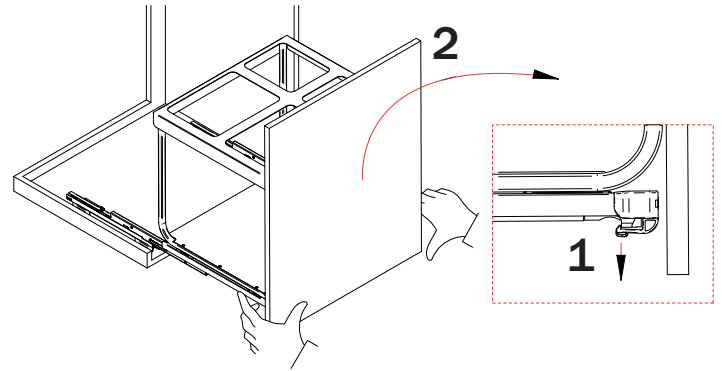
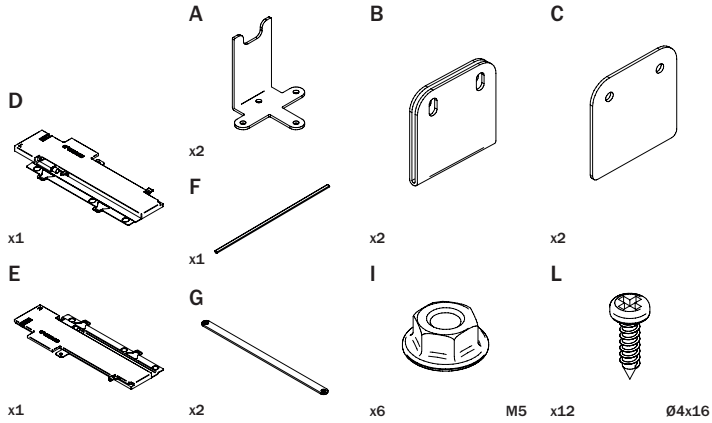
Size Configuration





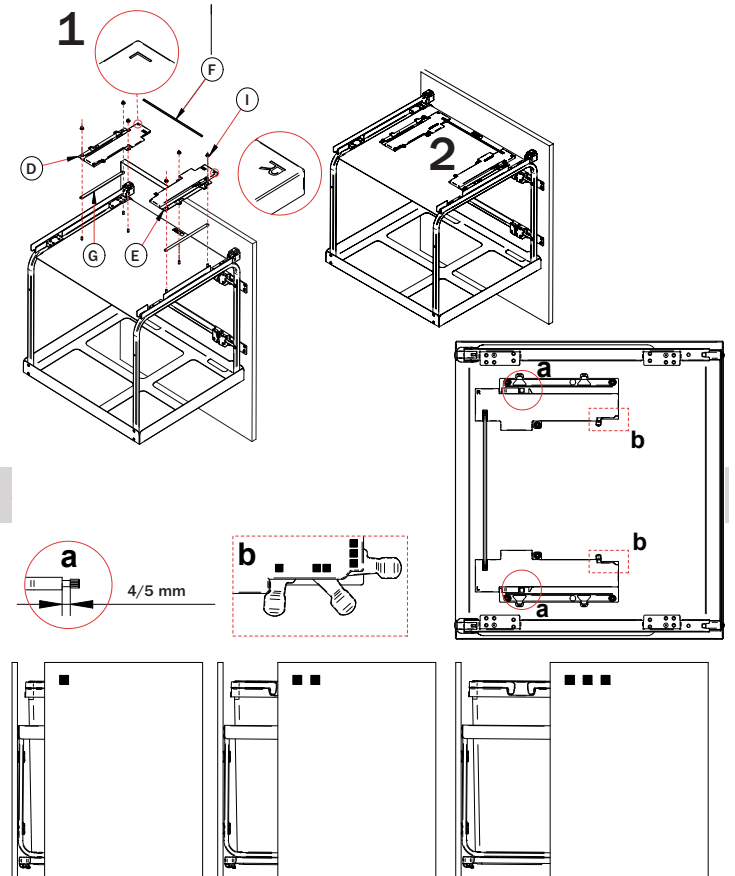
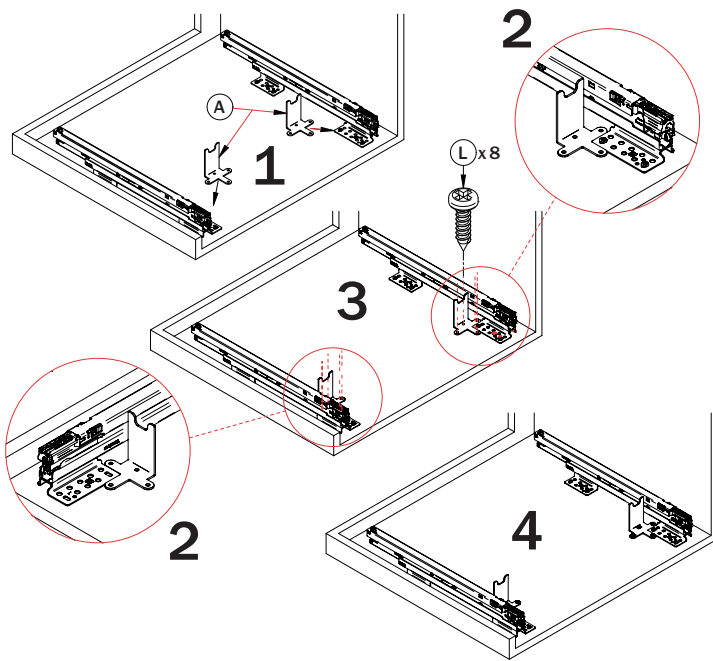
Kombi Touch Components for Slab Door

Kombi Touch Installation for Slab Door - Step #1



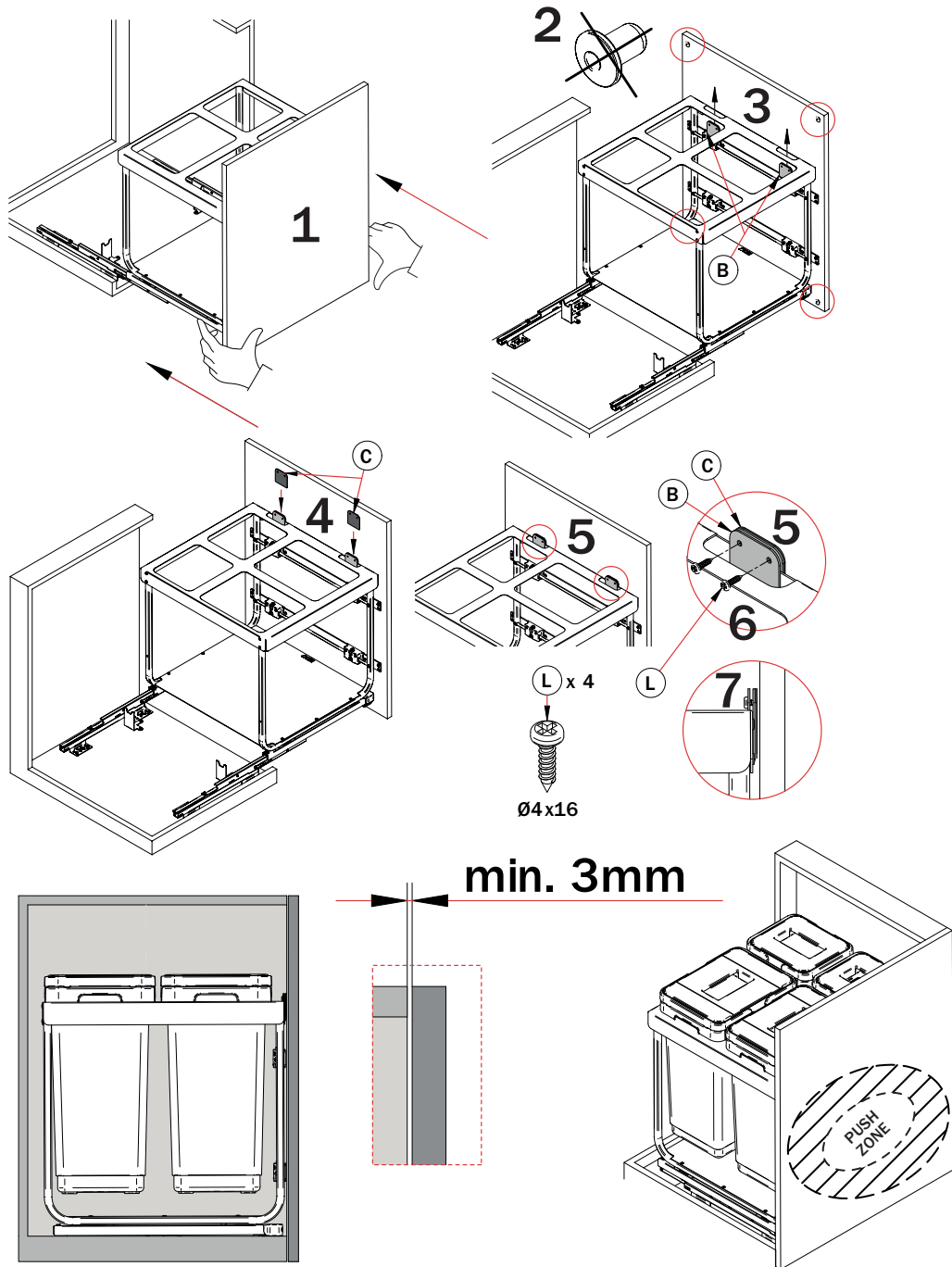
Step #2

Step #3



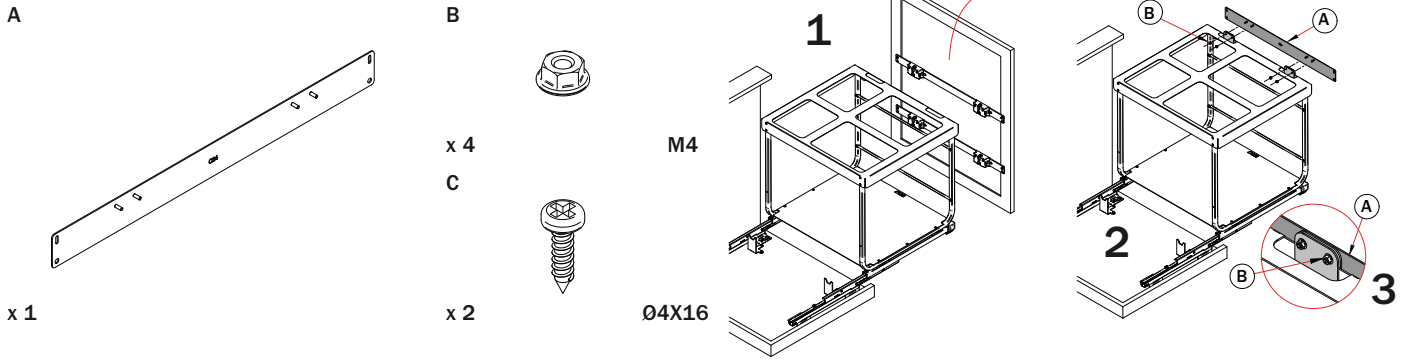


Step #4



Kombi Touch Components for Shaker Door

Kombi Touch Installation for Shaker Door - Step #1



Step #2

