

Flexstore



Product Features

FlexStore is a great way to personalize drawer organization and eliminate movement of stored items within the drawer. Choose from any of the five sizes to create unique configurations that make the most of your internal drawer space.

- Perfect for a retrofit
- 5 options of bin sizes
- Easy to install, can be done on-site
- One box contains a complete kit, which includes 1 pair of Flex Bin C-channel bottom holders, 1 Flex Store bin, mounting screws, and finishing plugs
- includes a real-size positioning template

Flexstore Complete Kit, Anthracite grey

Description	Size	Part#
W x H x D 217 x 89 x 182.5mm (8 ½ x 3 ½ x 7 ⅛")	SM	041-PVASM-AG
W x H x D 217 x 89 x 290mm (8 ½ x 3 ½ x 11 ⅜")	ME	041-PVAME-AG
W x H x D 217 x 89 x 363mm (8 ½ x 3 ½ x 14 ⅓")	LA	041-PVALA-AG
W x H x D 129 x 89 x 256mm (5 ⅛ x 3 ½ x 10 ⅛")	CE	041-PVACE-AG
W x H x D 105 x 89 x 330mm (4 ⅛ x 3 ½ x 13")	LT	041-PVALT-AG

Flexstore Complete Kit, Light Grey

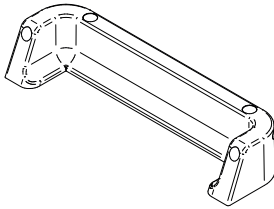
Description	Size	Part#
W x H x D 217 x 89 x 182.5mm (8 ½ x 3 ½ x 7 ⅛")	SM	041-PVASM-G
W x H x D 217 x 89 x 290mm (8 ½ x 3 ½ x 11 ⅜")	ME	041-PVAME-G
W x H x D 217 x 89 x 363mm (8 ½ x 3 ½ x 14 ⅓")	LA	041-PVALA-G
W x H x D 129 x 89 x 256mm (5 ⅛ x 3 ½ x 10 ⅛")	CE	041-PVACE-G
W x H x D 105 x 89 x 330mm (4 ⅛ x 3 ½ x 13")	LT	041-PVALT-G



What's In The Box

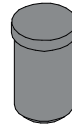
1.

x2



2.

x4



3.

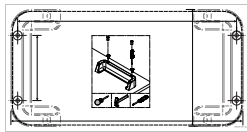
x4



Flat Head

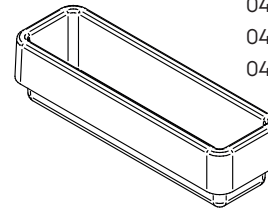
4.

x1



5.

x1



Including number of dividers :

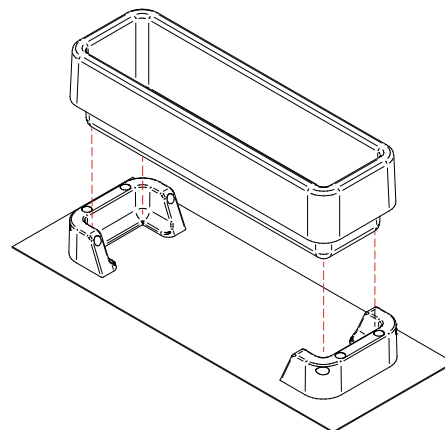
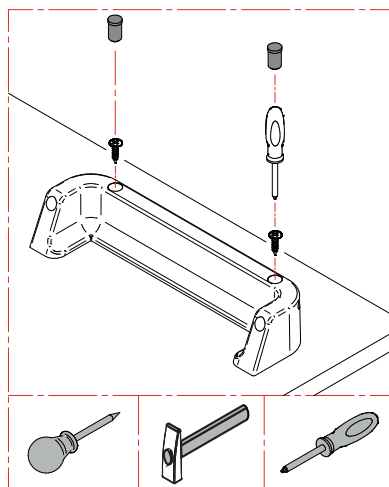
041-PVASM-G : 1

041-PVAME-G : 2

041-PVALA-G : 3

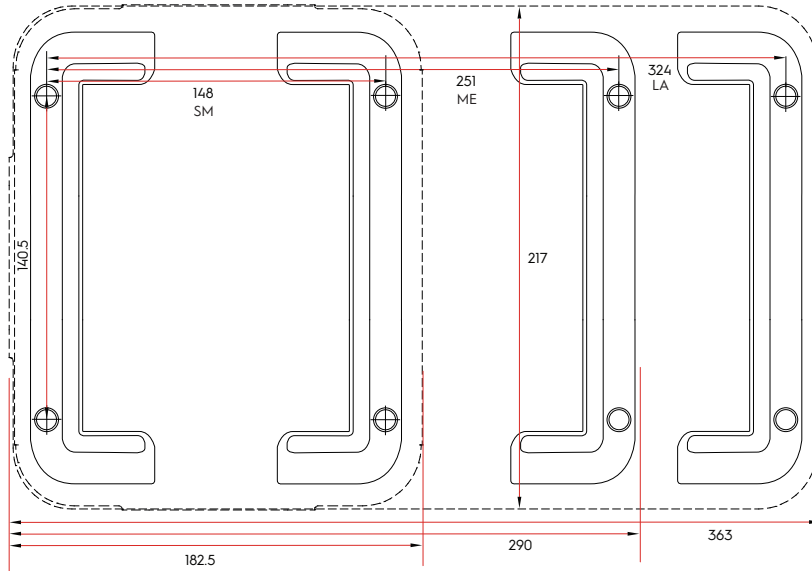
041-PVACE-G : 1

Installation

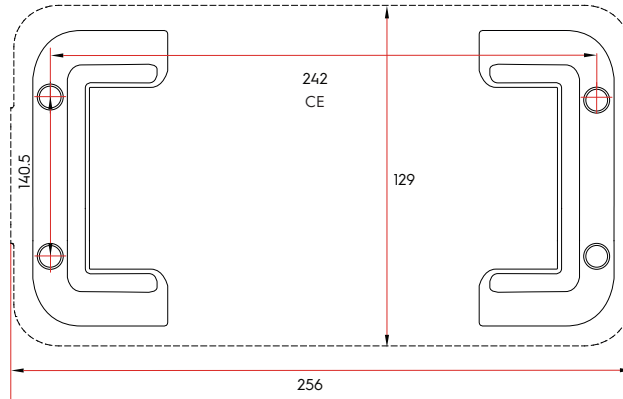




For SM, ME, LA



For CE



For LT

