

Pull-out Waste Bin



Product Features

Attractive chrome wire waste pull-out featuring soft-close slides, includes frame and plastic waste bin with flip-top lid.

- Recommended cabinet width: 300mm (12")
- Bottom mounted; easy to install
- Suitable for door-mount or hinge door
- Shown in picture with door mount bracket (sold separately)
- Soft-close full-extension slides
- Large 30L bin with flip-top lids
- Load capacity: 25kg (55lbs)

Single Bin Flip-top Waste Pull-out, for (300mm) 12" Cabinets

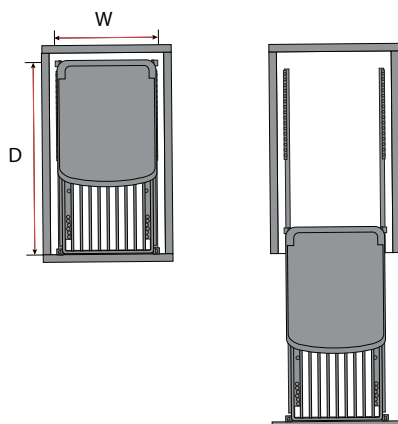
Description	Part#
W x H x D 252 x 467 x 484mm (9 15/16 x 18 3/8 x 19 1/16")	041-FJ132-C

Door-Mount Bracket (sold separately)

Description	Part#
Heavy Duty Tall Bracket	041-FJ10B-1

Minimum Interior Cabinet Dimensions

W x H x D 252 x 467 x 484mm (9 15/16 x 18 3/8 x 19 1/16")

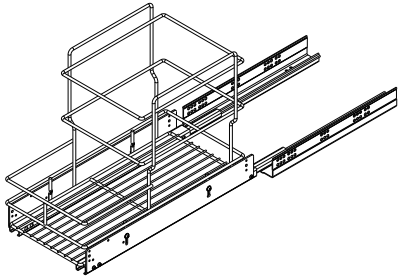




What's In The Box

1.

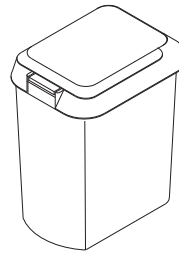
x1



With Door-Mount Bracket (only if applicable)

2.

x1



3.

x2



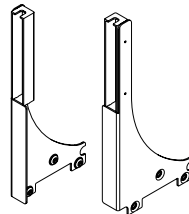
4.

x2



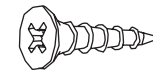
5.

x2

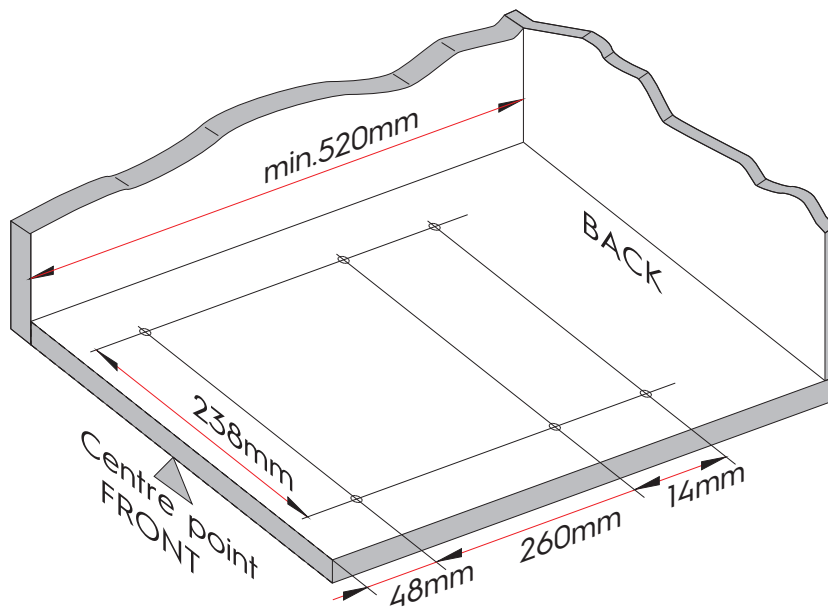


6.

x8



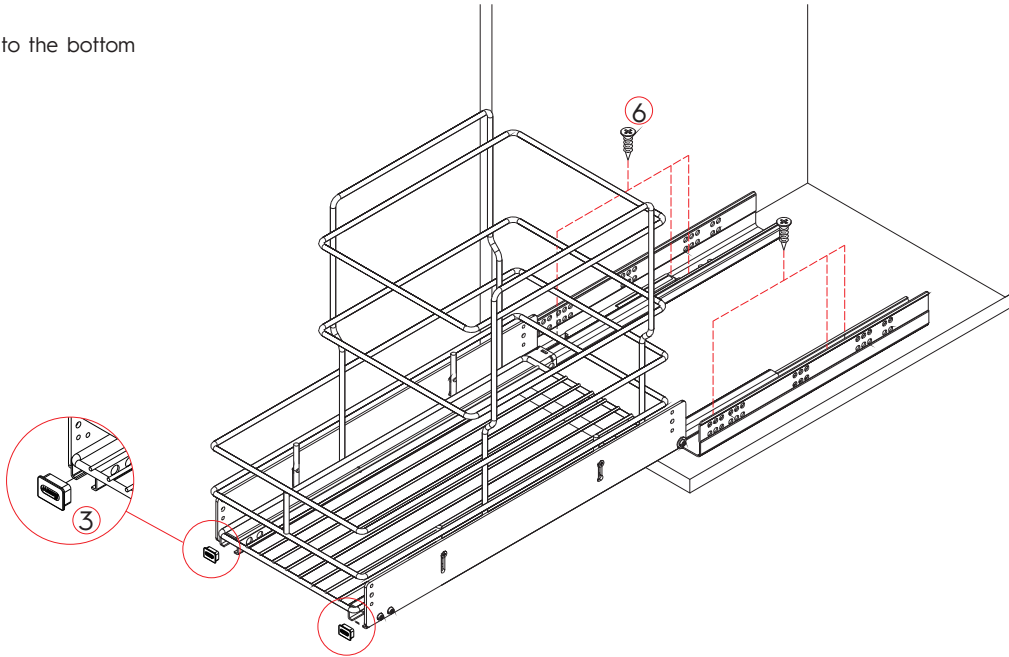
Bottom Dimensions



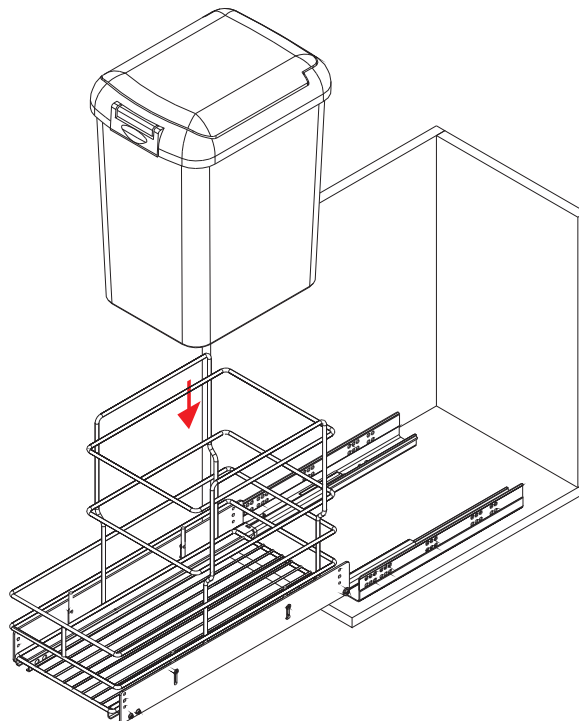


Base Drilling Diagram

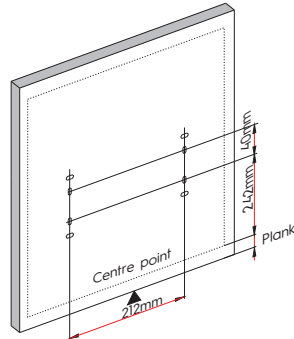
Assemble the slide to the bottom of cabinet.



Basket Installation

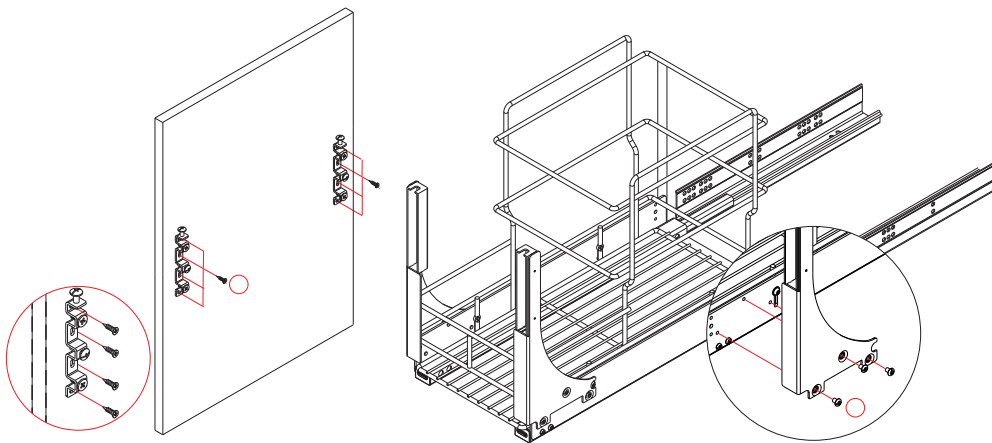


Door Bracket Installation Dimension (only if applicable)



Door Bracket Installation (only if applicable)

Screw on the door bracket.



Fix Bracket Cover (only if applicable)

