

**M-Series Eco-Bin for Door Mount**



**Product Features**

The classic waste pullout is the best economical solution for waste recycling in your kitchen. Featuring an integrated door mount bracket, cover, and a full-extension slide.

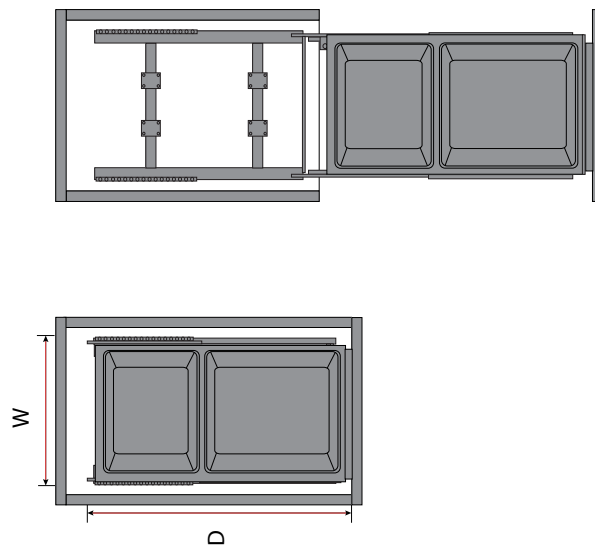
- Bottom mounted for easy installation
- Door-mount bracket for a pullout application
- Integrated cover to prevent pesky odours
- Load capacity: 25kg (55lbs)
- 2 Bins (1 x 10L, 1 x 20L)

**Ordering Guide**

| Description  | Part#      |
|--|------------|
| White 260 x 412 x 480mm (10 1/4 x 16 1/4 x 18 7/8")          | 04-1018-W  |
| Athracite Grey 260 x 412 x 480mm (10 1/4 x 16 1/4 x 18 7/8") | 04-1018-AG |

**Minimum Interior Cabinet Dimensions**

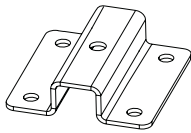
W x H x D 282 x 480 x 500mm (11 1/8 x 18 7/8 x 19 5/8")





### What's In The Box

1. x4

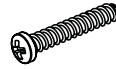


2. x16



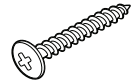
Pan Head  
#8 x 5/8in

3. x6



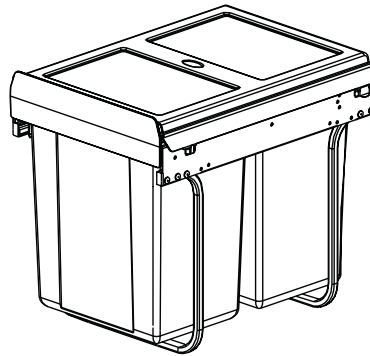
Pan Head  
#8 x 1in

4. x4

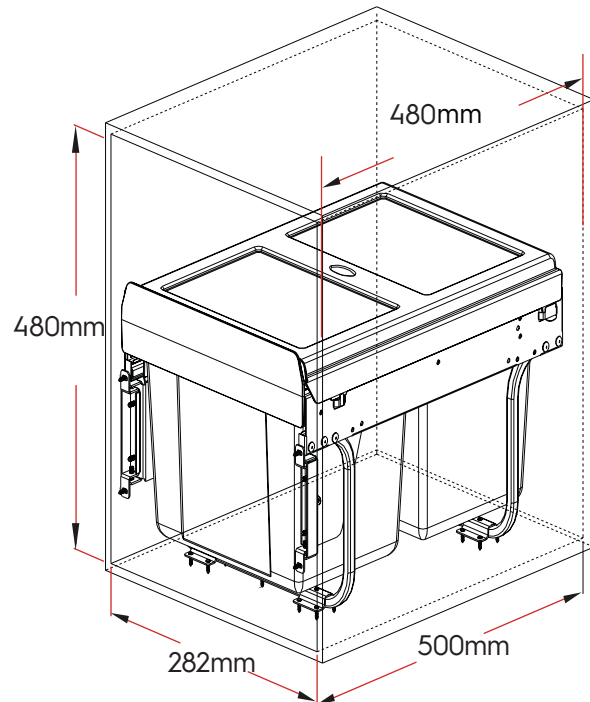
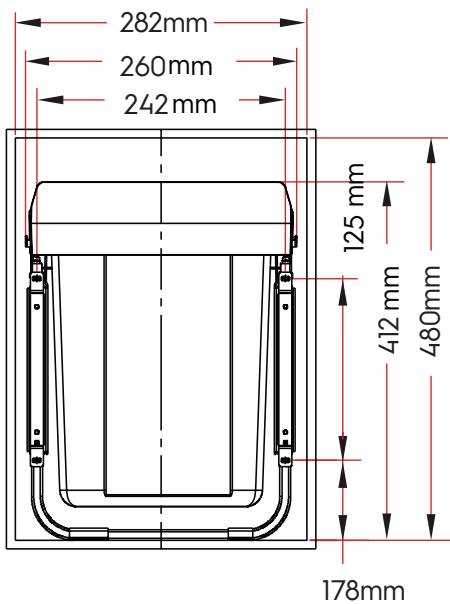


Pan Head  
#8 x 1/2in

5. x1

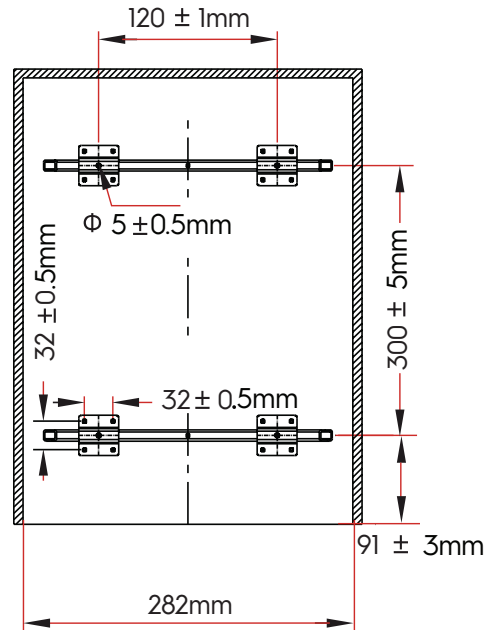
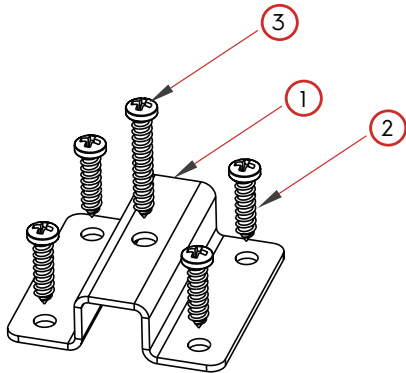


### Internal Cabinet Required Dimensions





### Bottom Bracket Drilling and Installation



### Door Mount Bracket Adjustment

± 2.5 MM  
(Horizontal adjustment)

