

M-Series Syphon Flex

Product Features

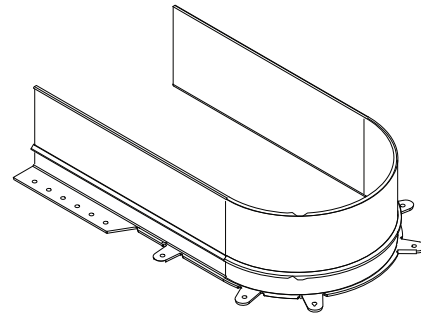


The M-Series Syphon Flex is an excellent way to maximize storage with a functional top drawer below the sink in bathroom vanities, all while lowering production costs. The flexible plastic plumbing cutout is an ideal alternative to the arduous process of creating a custom cutout using wood or melamine.

- Highly flexible plastic makes bending to shape easy
- The cut-to-size design allows custom tailoring to most projects
- Easy to install
- Widely compatible with many sinks/fixtures
- Available in three modern colours: White, Anthracite, Graphite

What's In the Box

- M-Series Syphon Flex



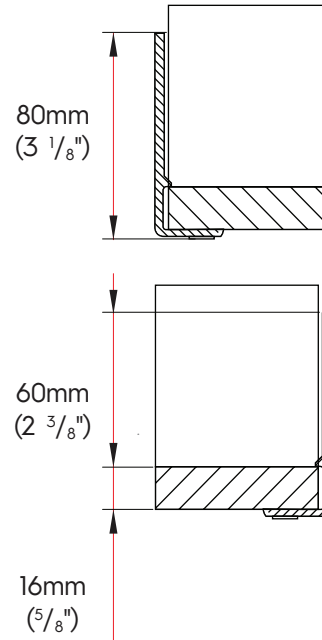
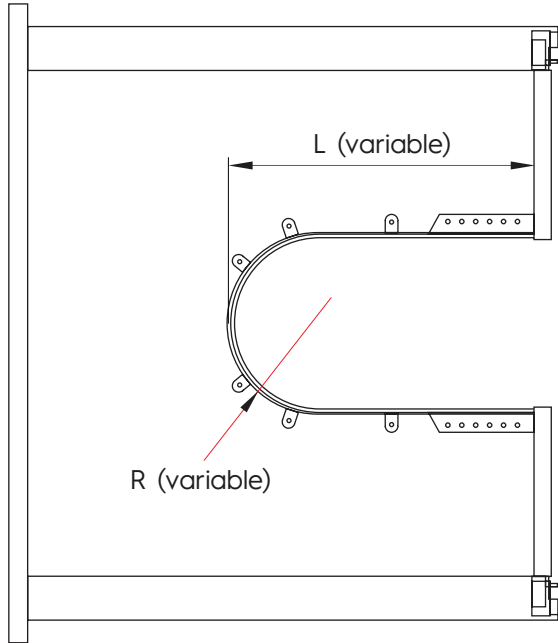
Ordering Guide

Part#	Finish	Quantity/Box
04-1660-WH	White	40
04-1660-GR	Anthracite	40
04-1660-GP	Graphite	40



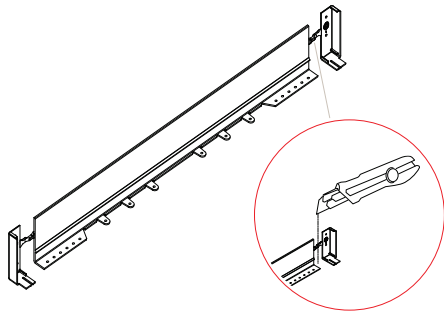
Scan for Installation Instructions

Installation Dimensions

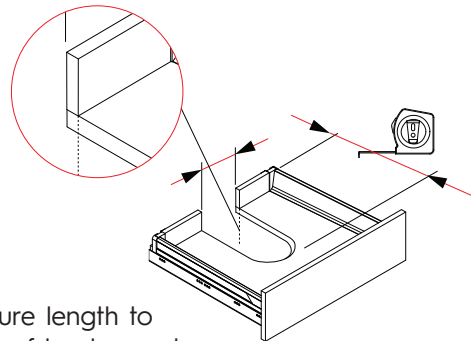


Installation With End Caps - Step #1

Step #2



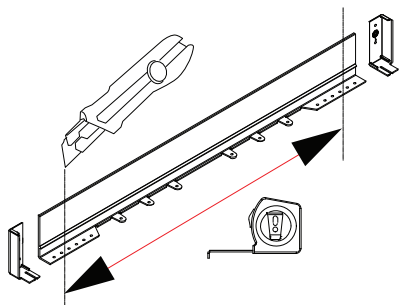
Cut off end caps



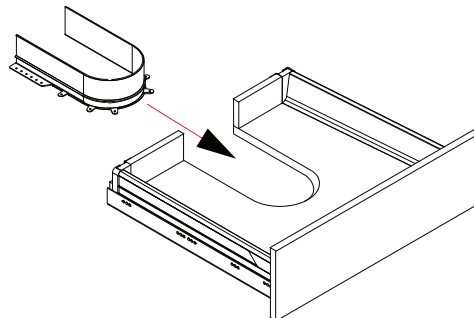
Measure length to
inside of back panel

Step #3

Step #4

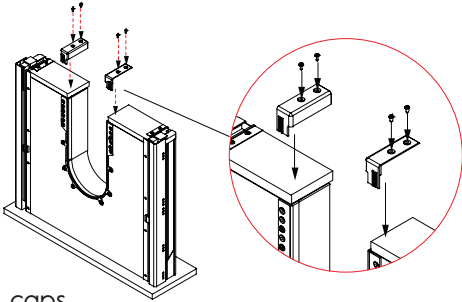


Cut to length



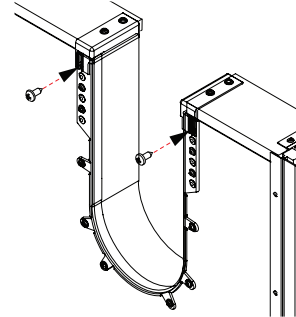
Slide into cutout

Step #5



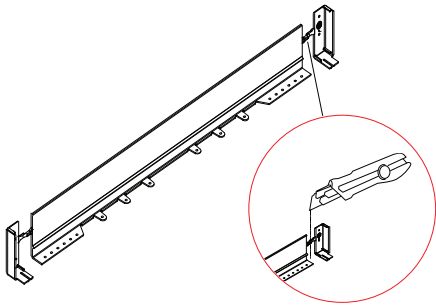
Affix end caps

Step #6



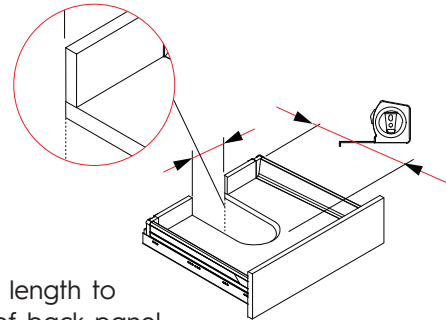
Secure to bottom

Installation Without End Caps - Step #1



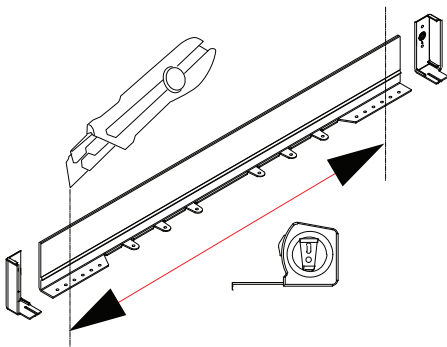
Cut off end caps

Step #2



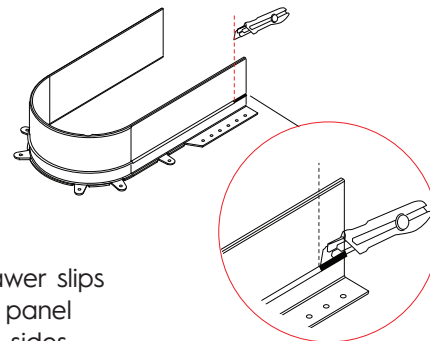
Measure length to
outside of back panel

Step #3



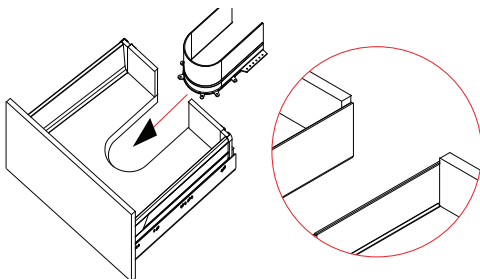
Cut to length

Step #4



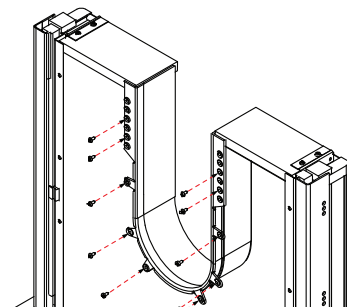
Trim drawer slips
to back panel
on both sides

Step #5



Slide into cutout

Step #6



Secure
to bottom