

M-Series SYPHON FLEX



SERIES

INTRODUCING M-Series Syphon Flex

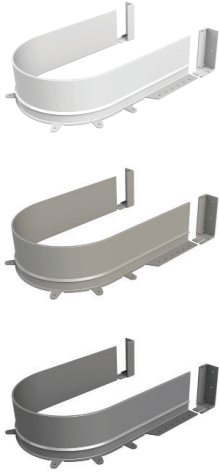
The M-Series Syphon Flex is an excellent way to maximize storage with a functional top drawer below the sink in bathroom vanities, all while lowering production costs. The flexible plastic plumbing cutout is an ideal alternative to the arduous process of creating a custom cutout using wood or melamine.

Product Features:

- Highly flexible plastic makes bending to shape easy
- The cut-to-size design allows custom tailoring to most projects
- Easy to install
- Widely compatible with many sinks/fixtures
- Available in three modern colours: White, Anthracite, Graphite

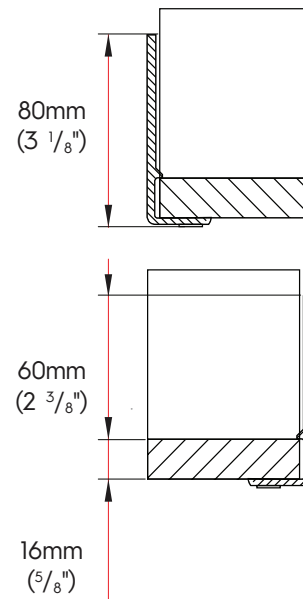
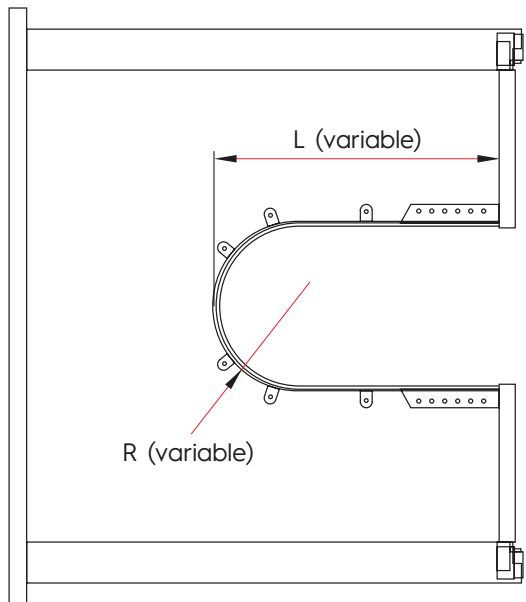


Syphon Flex - 16mm



Part#	Finish	Quantity/Box
04-1660-WH	White	40
04-1660-GR	Anthracite	40
04-1660-GP	Graphite	40

Technical Specifications



For more information on **Syphon** plumbing cutouts, visit our website at www.marathonhardware.com

