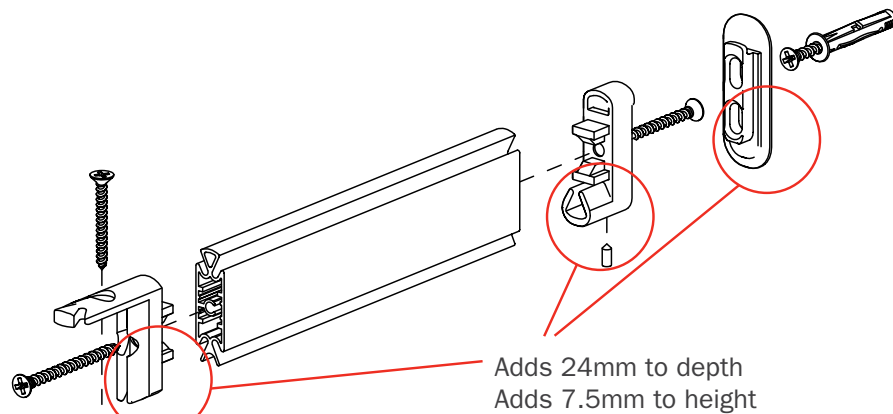


Example of Measurements for Installation of Aluminum Profile Bars

Floor to Back Wall Application



Adds 24mm to depth
Adds 7.5mm to height

Floor to Back Wall Example Measurements

The Horizontal Bar is cut 300mm long. After fixing the corner joint and wall connector, it becomes 324mm.

The Vertical Bar was original cut to 600mm height but once the corner joint and adjustable foot leveler are attached, it becomes 618.5mm high.

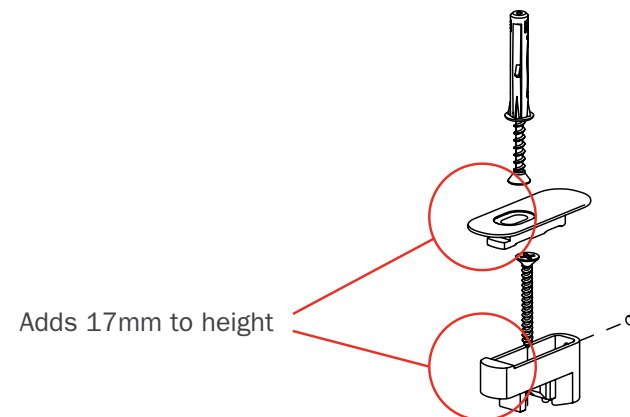
The foot can be adjusted to a maximum of 15mm, providing range of adjustment from 618.5 to 633.5mm

Floor to Back Wall Maximum Height

The profile bars are 3000mm long. Adding the corner joint and adjustable leg leveller, gives a maximum height of 3018.5mm. With range of adjustment from 3018.5 to 3033.5mm

Adds 11mm to height

Floor to Flat Ceiling Application



Adds 17mm to height

Floor to Flat Ceiling Example Measurements

The Vertical Bar was original cut to 600mm height but once the wall connector and adjustable foot leveler are attached, it becomes 628mm high.

The foot can be adjusted to a maximum of 15mm, providing range of adjustment from 628 to 643mm

Floor to Flat Ceiling Maximum Height

The profile bars are 3000mm long. Adding the wall connector and adjustable leg leveller, gives a maximum height of 3028mm. With range of adjustment from 3028 to 3043mm

Adds 11mm to height