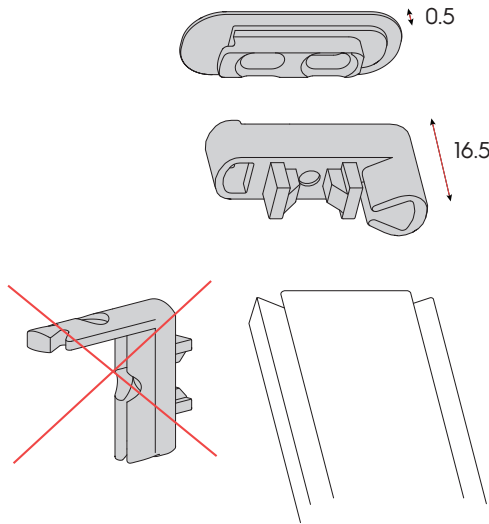


## Installation on Flat Ceilings with the Wall Connector and Corner Joint Bracket



### Features:

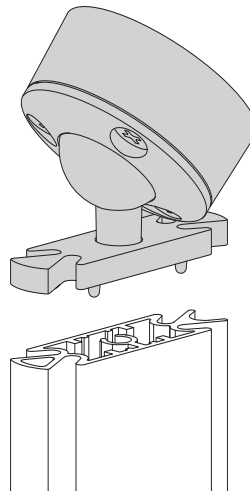
- Corner Joint and Wall Connector can also be used on flat ceilings
- Discard the Corner Joint and directly connect the Wall Connector into vertical bar profile and fix to ceiling
- Adds 17mm to length of vertical bar profile

## Angled Ceiling Bracket

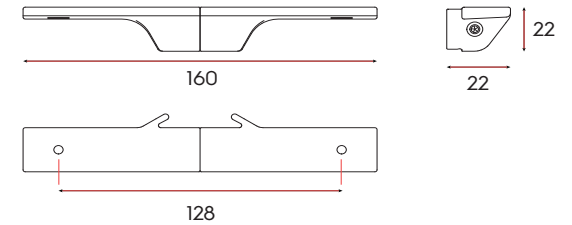
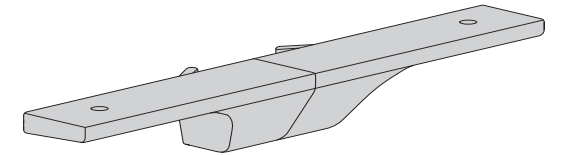
### Features:

- Comes with x 1 ceiling adapter x 1 fixing kit - 3 x m4 screws, x 1 self threading screw, & ceiling anchors
- Allows for the profile to be attached to a sloping ceiling with an angle from 0 degrees to 45 degrees

Please note: as the angle changes, the profile cut length may vary. Careful measurements and a practical trial may be necessary. Plan ahead and use the Adjustable Leveling Feet to fill the height gap.



## Flat Shelf Holder



### Features:

- Supplied as a pair for left and right sides
- Attached to channel on aluminium profile
- Suitable to attach flat shelves or cabinets
- Top Mount Bracket required for glass shelves
- Top Mount Bracket suggested for pullout drawers and heavier cabinets depending upon expected load