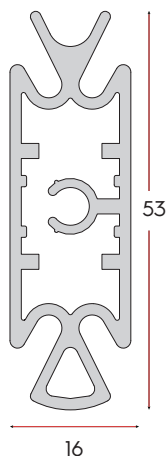


### Aluminium Bar Profile



#### Features:

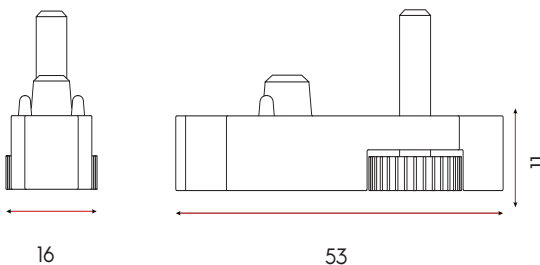
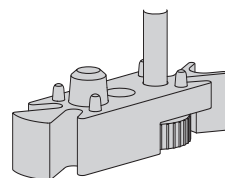
- Dimensions: 16mm (W) x 52.77mm (D) x 3000mm (L)
- Two Finishes: Aluminium Anodized and Matte Black
- Reversible Profile with two front facing options: concave or convex
- Profile provides high load capacity: 30kg (66 lbs) when pair of brackets are fitted to both right and left sides
- Easy to cut to length with only straight cuts required
- Accessories can be fixed to channel edge with 3mm allen key hex screw



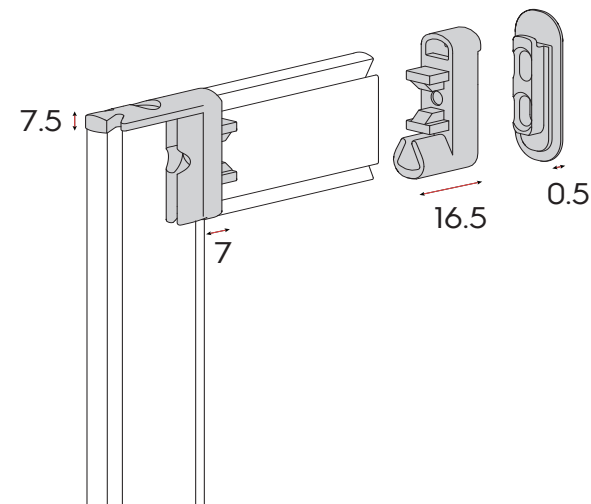
### Adjustable Leveling Leg

#### Features:

- Comes with x 1 foot bracket , x 1 self threading screw, & x 1 adjustable leveling leg
- Slides into and connects to base of aluminium profile
- Adds 11mm to height of vertical bar once installed (does not include adjustment height range)
- Leg can be adjusted by max 15mm in length



### Wall Connector and Corner Joint Bracket



#### Features:

- Comes with x 1 corner joint & x 1 wall connection
- Slides and connects to aluminium profile with ease
- Adds 24mm to the length of the horizontal bar once installed
- Adds 7.5mm to the height of the vertical bar once installed
- Profile attaches to wall connector by sliding down onto bracket and locking in place a small set screw