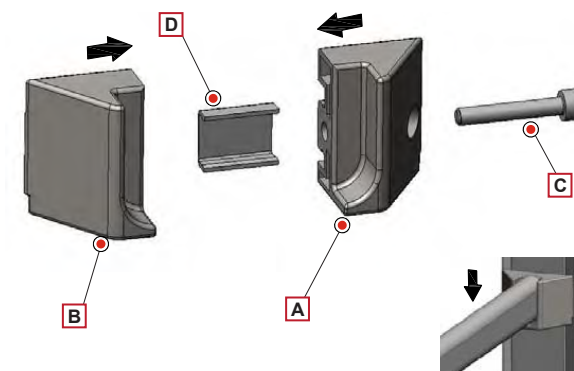


Closet Rod Holder Installation



Important Information*

Left and Right version included with purchase, left and right installation are similar.

- A** x 1 Back right clamp support
- B** x 1 Front left clamp support
- C** x 2 Hexagon Socket head Screw M4 x 25mm
- D** x 2 Anti-scratch plastic plates

1. Insert anti-scratch plate **D** on its seat.
2. Fasten the supports **A** with **B** with screws **C** on the vertical style after setting them just over the pipe hangers
3. Make sure the two supports **A** and **B** are completely closed against each other without opening.
4. mount the pipe hangers on the supports **A** and **B** and fix them with screws **C**



NO



YES

Eureka SLIM Closet Rod Holder	
Item Description	Part#
Anodized Aluminum	035-3529-AN
Matte Black	035-3529-MB