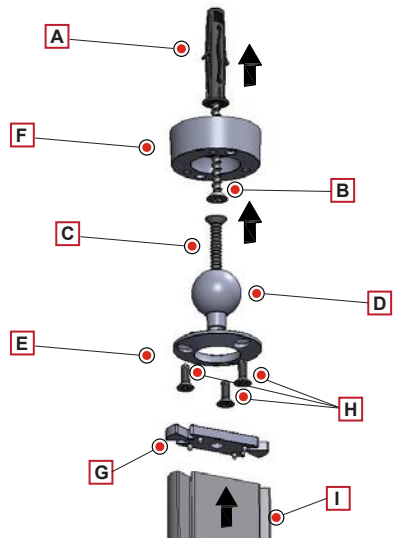


Angled Ceiling Bracket Installation



- A** x 1 Drywall Anchor Ø8mm
- B** x 1 Wood screw Ø5 x 60mm
- C** x 1 Thread screw Ø5.5x50mm
- D** x 1 Sphere
- E** x 1 Ferrule
- F** x 1 Wall Plate
- G** x 1 Metal Cap
- H** x 3 Screws M4 x 12mm
- I** x 1 Vertical bar profile

1. Fix the metal cap **G** to the vertical style **I** with the screw **C** interposing between the two components the ferrule **E** and the sphere **D**
2. Drill the wall with a Ø8 bit and insert the anchor **A**
3. Fix the wall plate **F** to the ceiling with the screw **B**
4. Fix the components **I**, **G**, **E**, **D** coupling the ferule with the wall support **A** and fix them together with three screws **B**

Eureka SLIM Angled Ceiling Bracket

Item Description	Part#
Anodized Aluminum	035-3530-AN
Matte Black	035-3530-MB

