



PIN

Personalisation and complete versatility. Pin is an innovative and revolutionary display storage system that allows the most flexible and creative arrangement of bottles, knives, shelves, items of clothing and accessories. The elegant, design-oriented and highly refined Pin has streamlined aesthetics and easy, quick and intuitive assembly. The Pin brackets can be moved easily and positioned anywhere with an ingenious fixing system that is extremely strong and stable. Pin is available in aluminium and titanium finishes, complementing all kinds of room settings, furniture and applications.

SALICE



PIN wine





Above: the Pin Wine supports are fixed in tiered pairs, each pair carrying up to 3 bottles. This solution allows the secure and flexible arrangement of several bottles.



On the right: the highly flexible and innovative combination of the Pin Wine brackets creates "made-to-measure" arrangements, using both standard, small and even "magnum" bottles.

On the far right: thanks to its versatility, Pin Wine can also be used to create bespoke arrangements to integrate into kitchen units.





Pin Wine can also be fitted with an optional information label, onto which wine description and characteristics can be inscribed. The label perfectly integrates with the display storage system.



COMPONENT PARTS

Pin Wine

Wine bottles display storage system

SD0BPXXK = Aluminium finish

SD0BPXXT = Titanium finish

PACKING: boxes 12 pcs

- 1) Anchor bolt
- 2) Gasket
- 3) Bracket
- 4) Connecting item
- 5) Cap

SD0B3LU300P = Aluminium finish

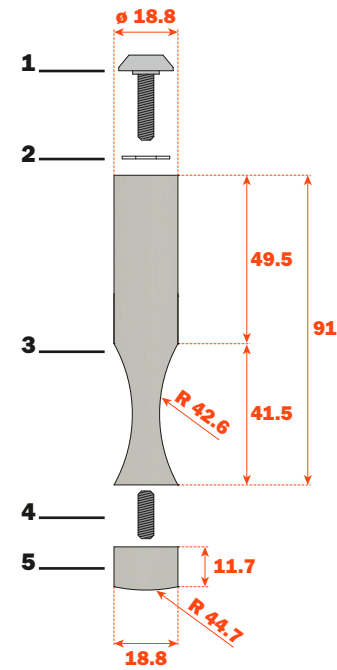
SD0B3LU300T = Titanium finish

PACKING: boxes 16 pcs

6) Profile length: 3 metres

The profiles can be surface-mounted or recessed into wall systems.
Screws for the profile fixing to be ordered separately. Please see page 27.

Maximum weight carried by one pair of Pin Wine: 3,5 kg.



ACCESSORIES

Wine bottles display storage system

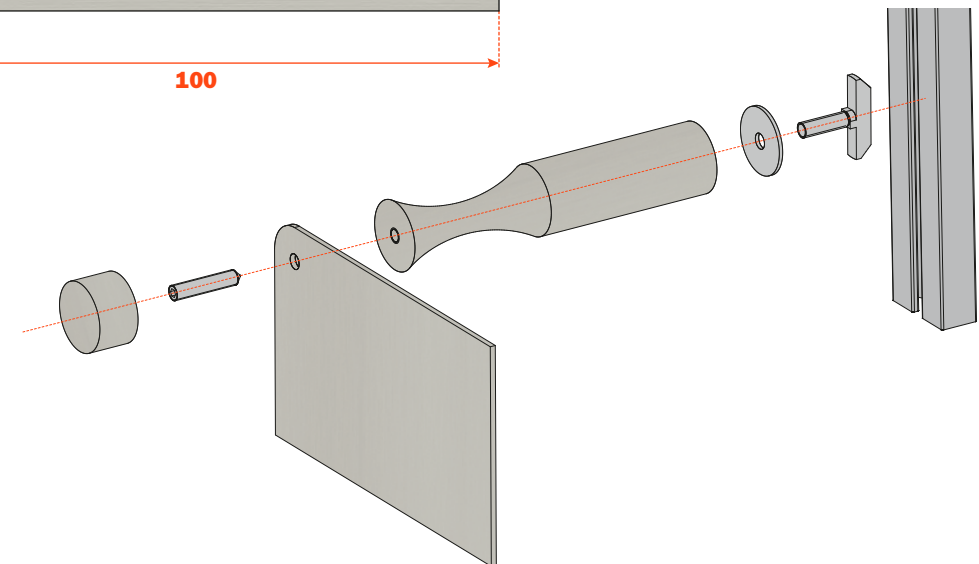
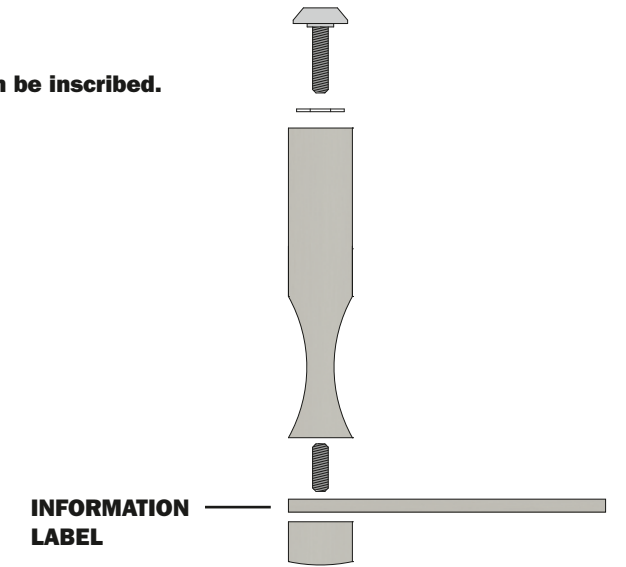
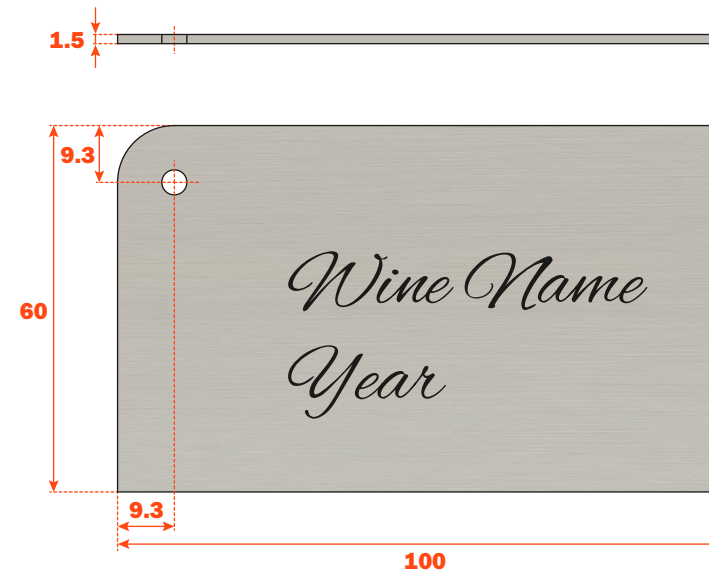
SD0B4XXK = Aluminium finish

SD0B4XXT = Titanium finish

PACKING: boxes 12 pcs

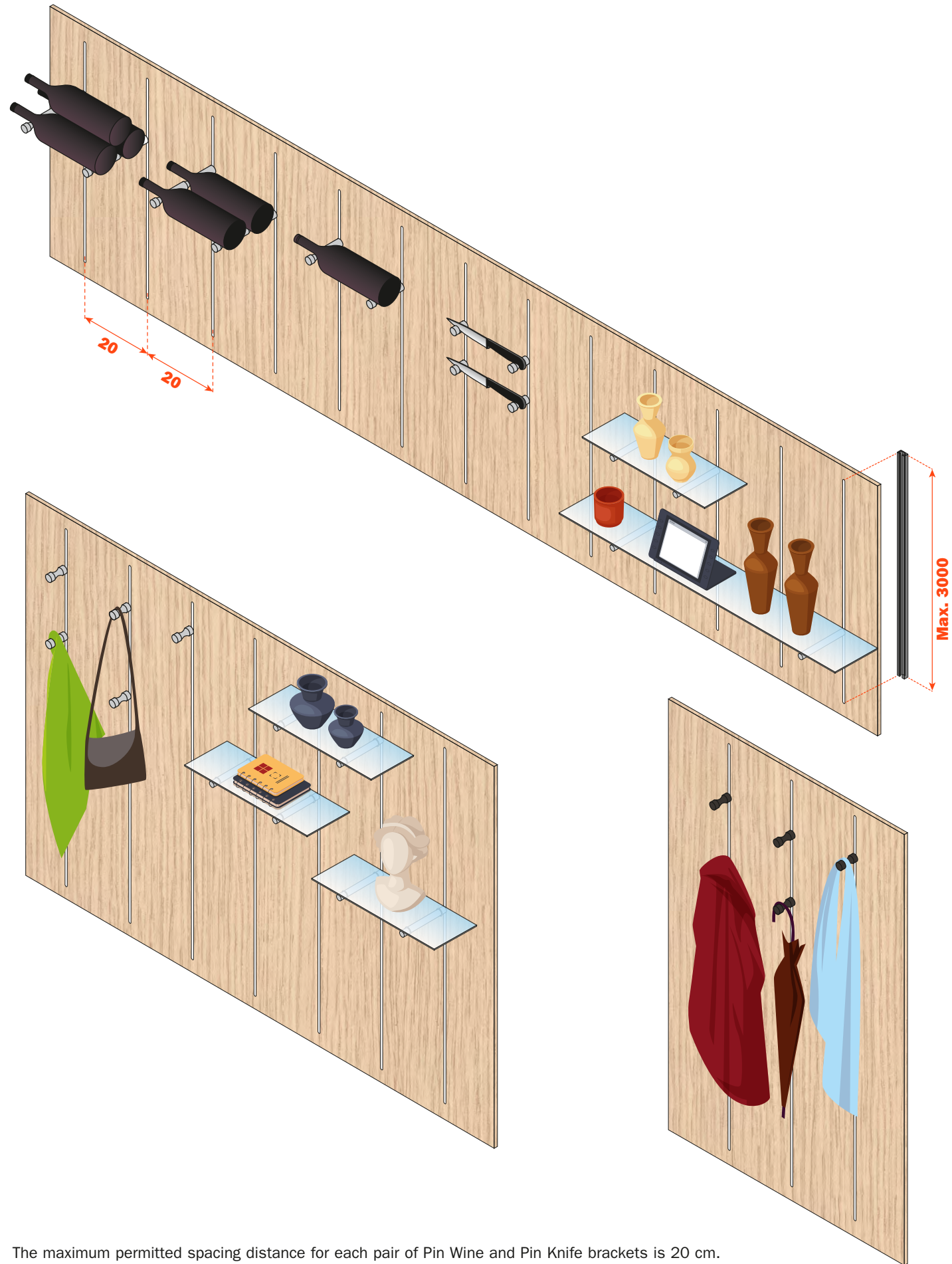
Information label onto which wine description and characteristics can be inscribed.

- Dimensions: 100x60 mm



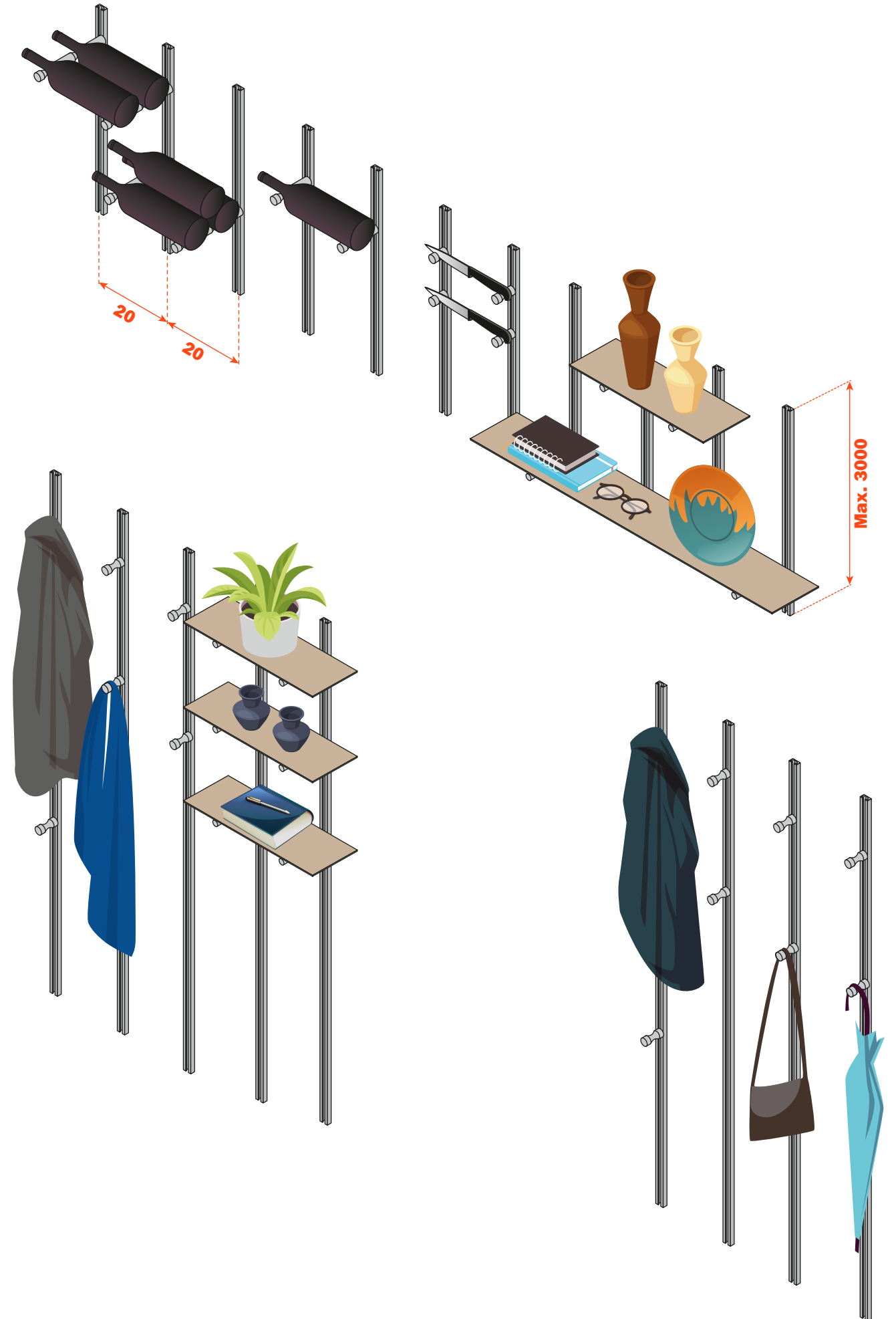
POSSIBLE COMPOSITIONS

Wood panelling with recessed profiles



The maximum permitted spacing distance for each pair of Pin Wine and Pin Knife brackets is 20 cm.

Surface-mounted profiles

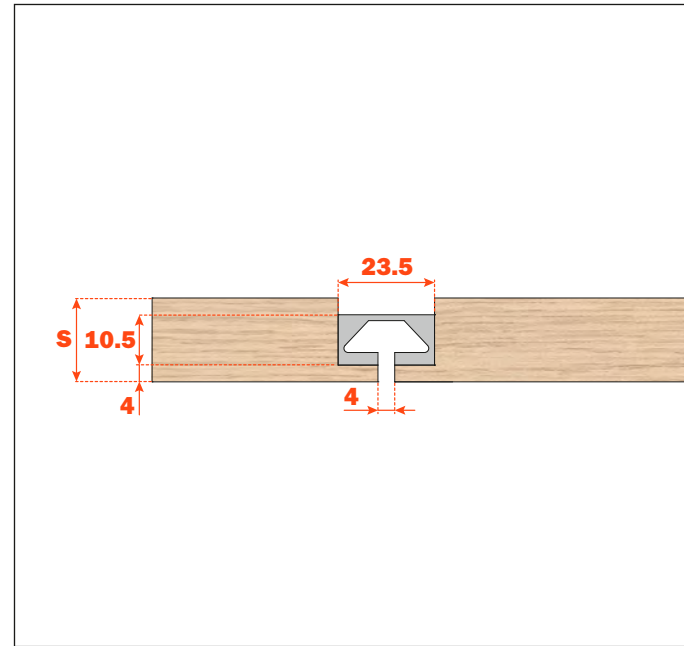
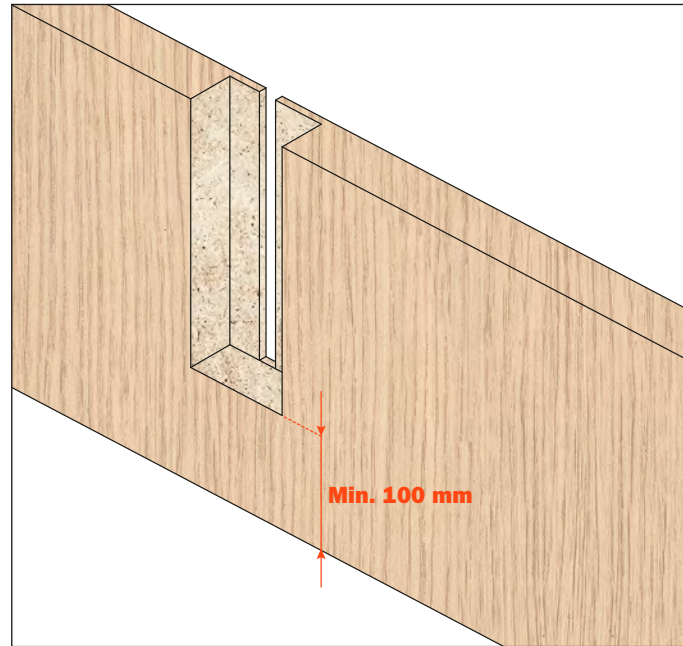


TECHNICAL INFORMATION

Wood panelling with recessed profiles

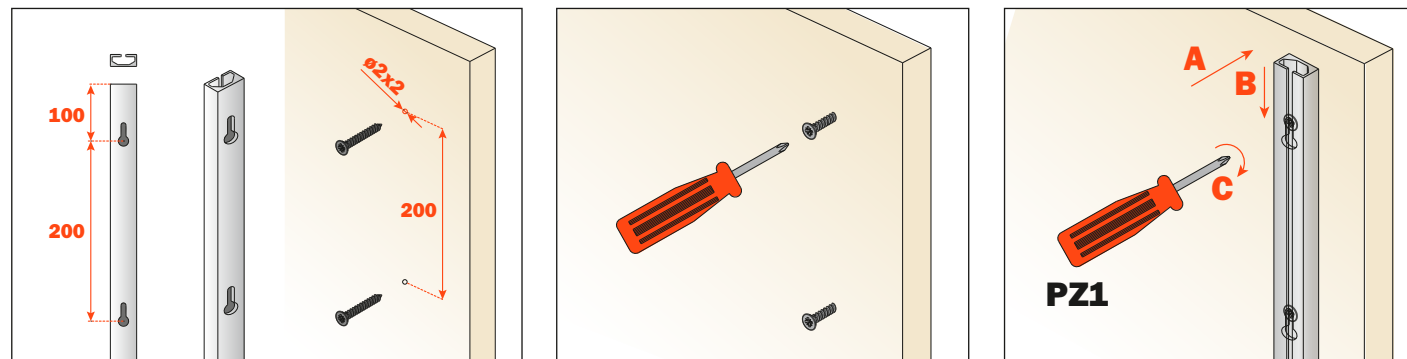
When machining the wood panelling, leave 100 mm from the top and from the bottom of the panel.

Dimensions for machining the wood panelling.

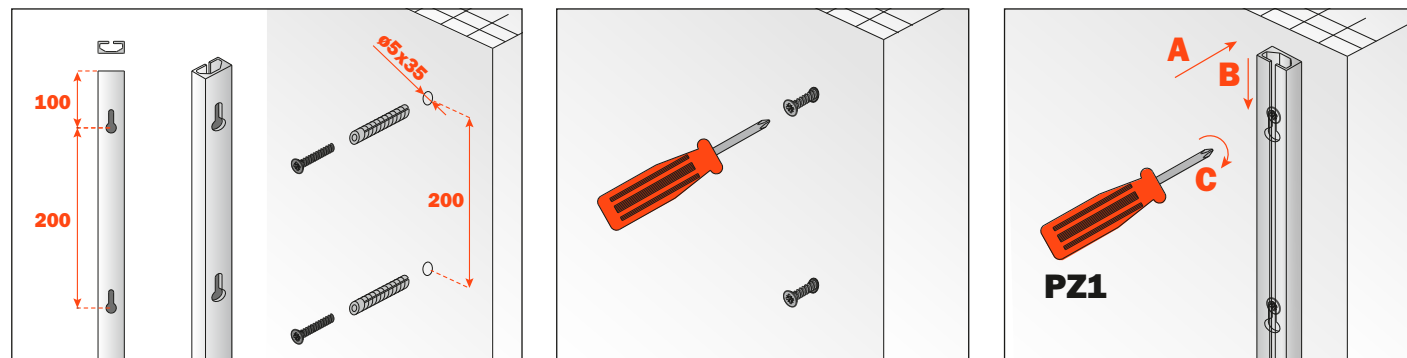


Surface-mounted profiles

Drilling the wood panel to fix the surface-mounted profile.



Drilling the wall to fix the surface-mounted profile.



SCREWS PACKING

- SV073X205MP:** screws for profile with aluminium finish (240 screws for wood panel, 240 screws with wall plugs)
- SV073X206MP:** screws for profile with titanium finish (240 screws for wood panel, 240 screws with wall plugs)