

PIN --- knife





The Pin Knife system fixed on a wood panel presents a highly functional and secure storage system for cook's knives.

Pin Knife enables kitchen knives of any shape and size to be arranged in the most functional and personal way.

Thanks to this arrangement, the knives are easily accessible while cooking and the wood panel gives an additional aesthetic value.

The innovative compression spring mechanism allows the blades of the knives to be held securely and stably.



COMPONENT PARTS

Pin Knife

Knives display storage system

SD0KPXXK = Aluminium finish

SD0KPXXT = Titanium finish

PACKING: boxes 12 pcs

- 1) Anchor bolt
- 2) Gasket
- 3) Bracket
- 4) Connecting item
- 5) Cap

SD0B3LU300P = Aluminium fish

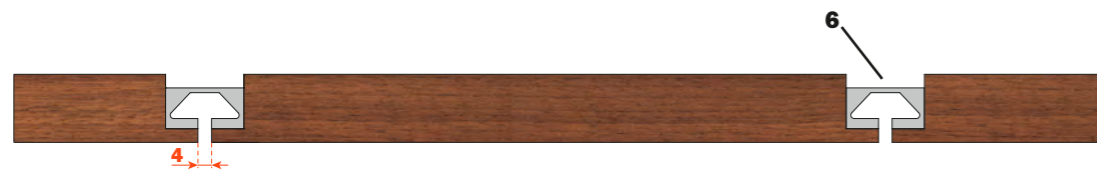
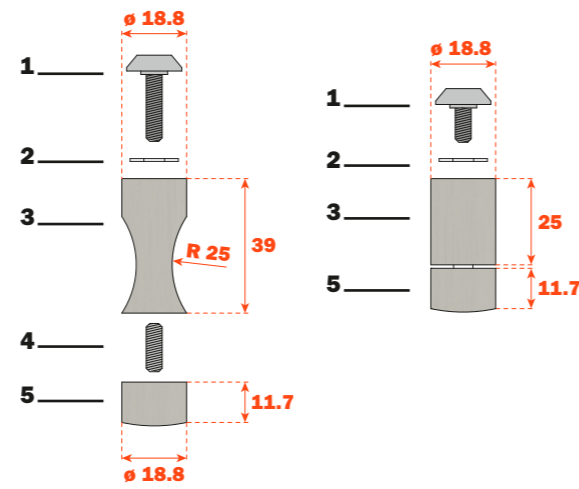
SD0B3LU300T = Titanium finish

PACKING: boxes 16 pcs

6) Profile length: 3 metres

The profiles can be surface-mounted or recessed into wall systems.
Screws for the profile fixing to be ordered separately. Please see page 27.

Maximum weight carried by one pair of Pin Knife: 15 kg.

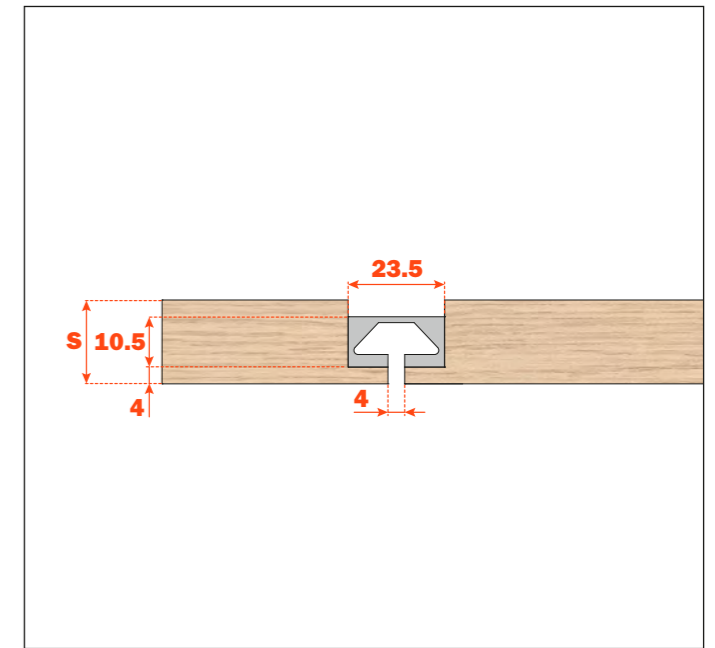
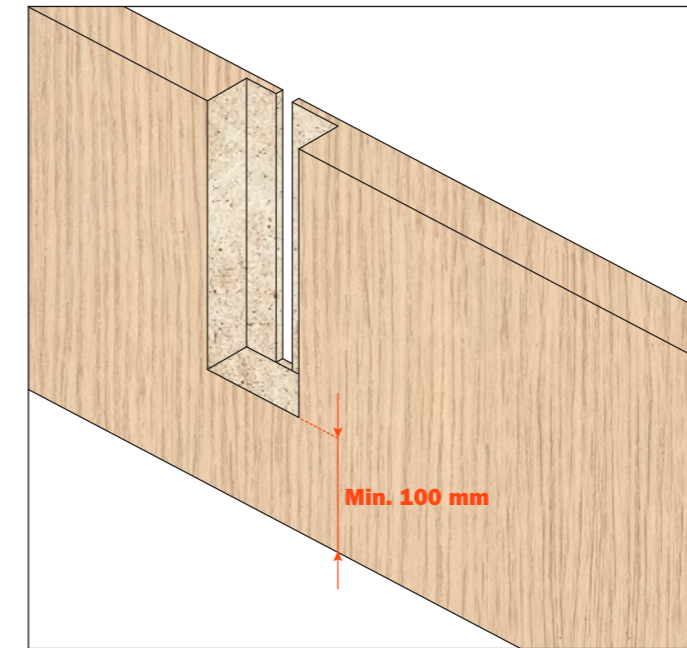


TECHNICAL INFORMATION

Wood panelling with recessed profiles

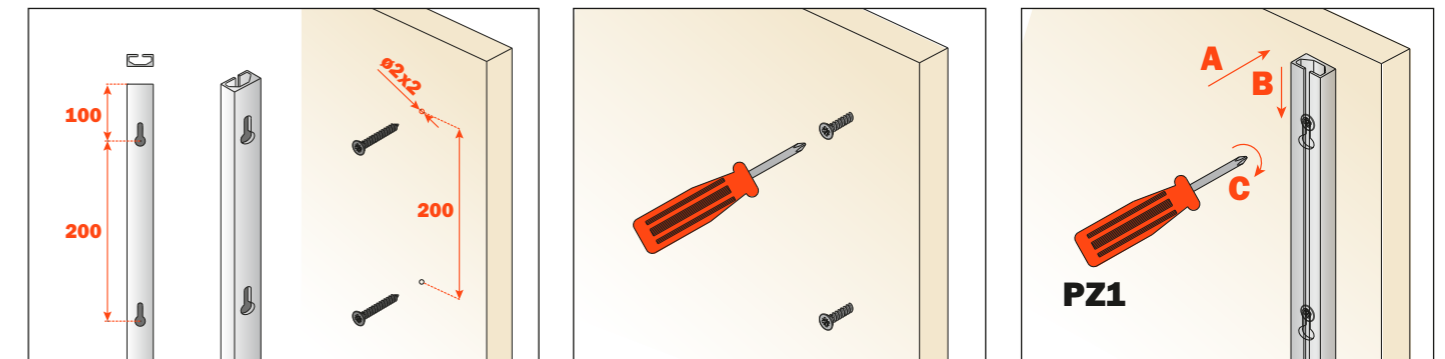
When machining the wood panelling, leave 100 mm from the top and from the bottom of the panel.

Dimensions for machining the wood panelling.

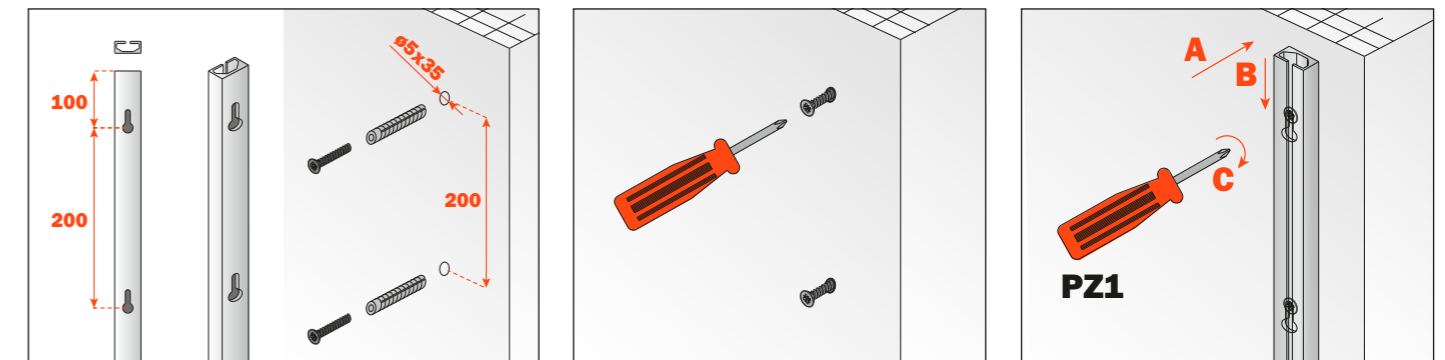


Surface-mounted profiles

Drilling the wood panel to fix the surface-mounted profile.



Drilling the wall to fix the surface-mounted profile.



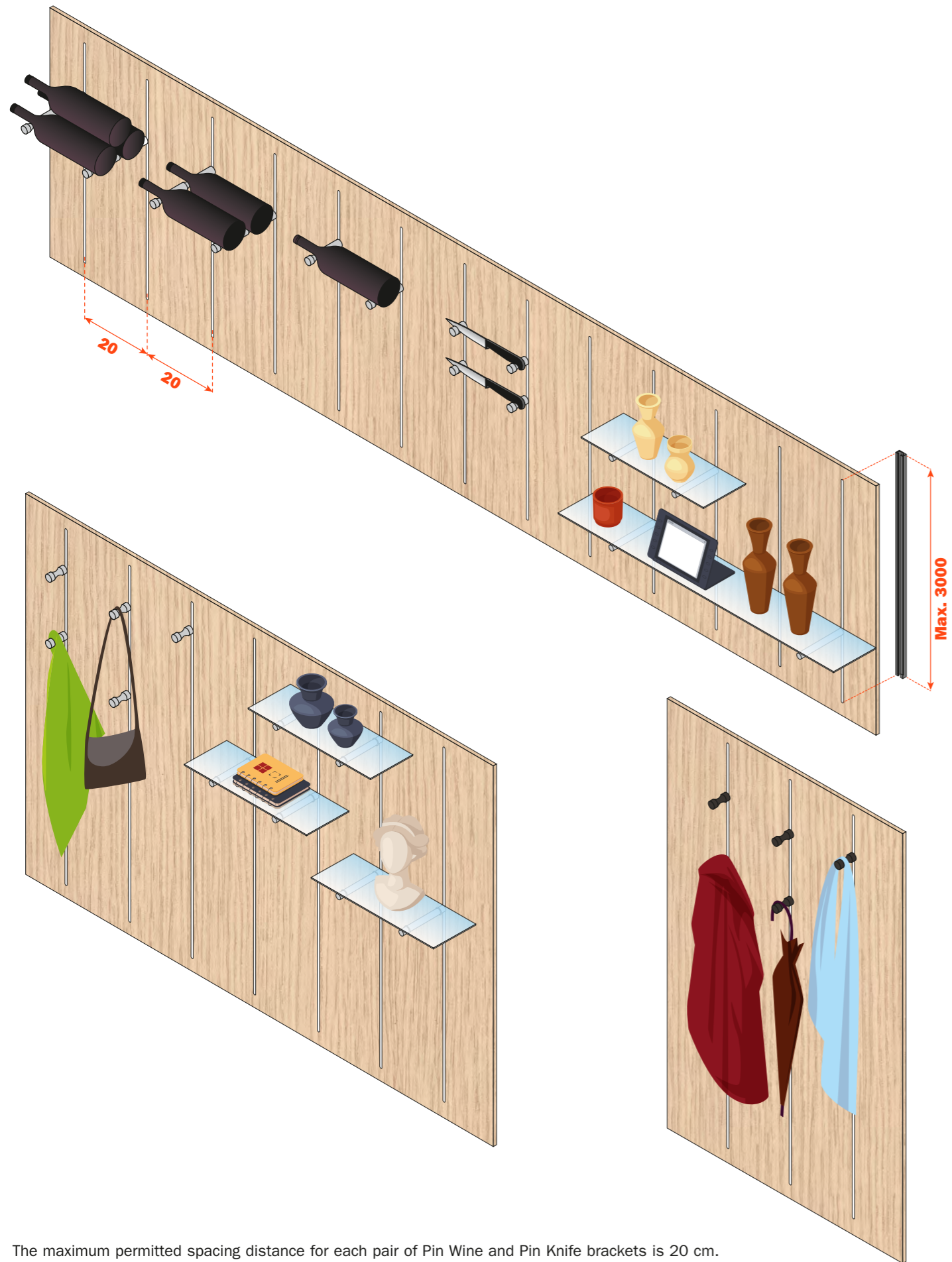
SCREWS PACKING

SV073X205MP: screws for profile with aluminium finish (240 screws for wood panel, 240 screws with wall plugs)

SV073X206MP: screws for profile with titanium finish (240 screws for wood panel, 240 screws with wall plugs)

POSSIBLE COMPOSITIONS

Wood panelling with recessed profiles



The maximum permitted spacing distance for each pair of Pin Wine and Pin Knife brackets is 20 cm.

Surface-mounted profiles

