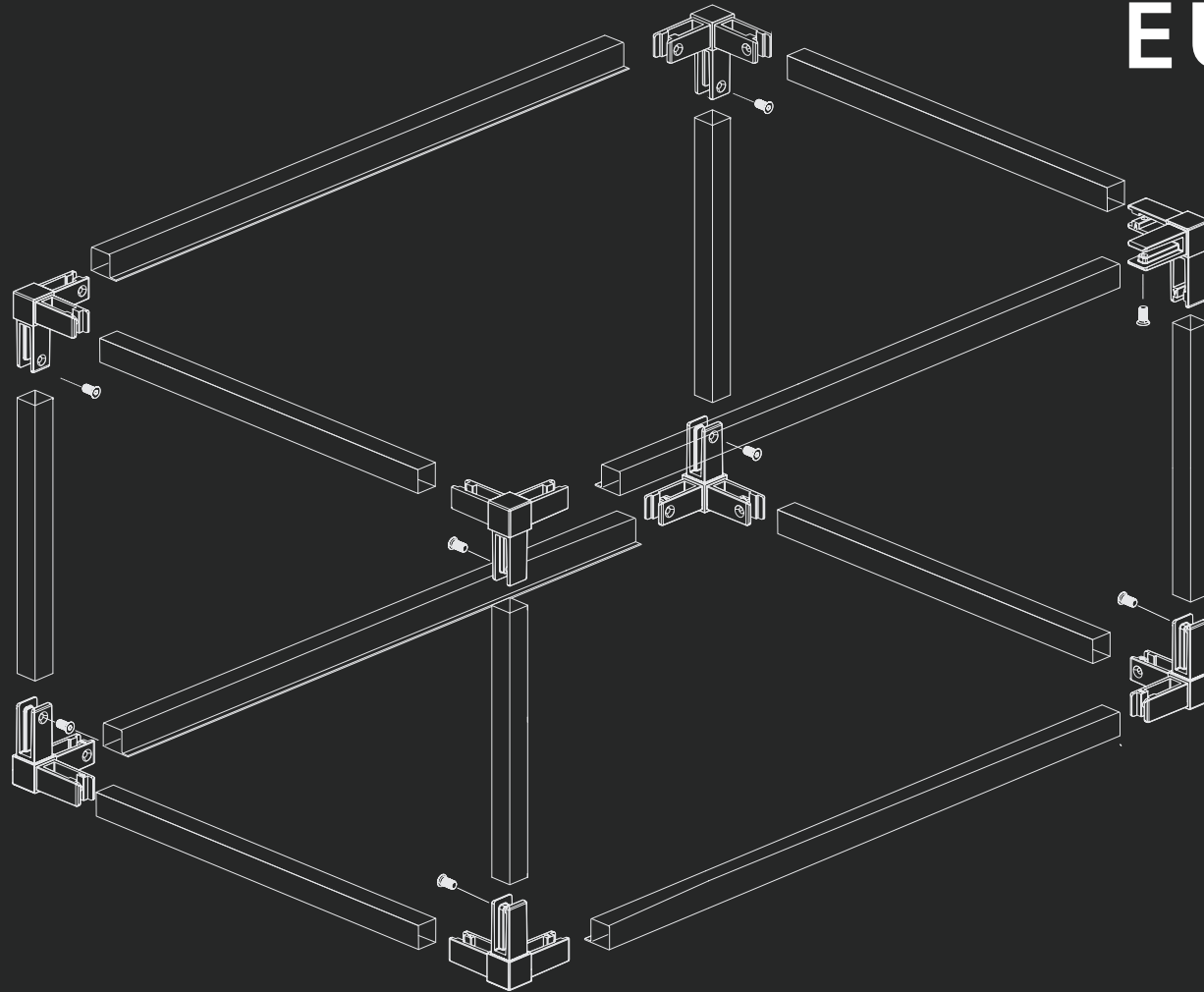




MARATHON

HARDWARE



EUREKA

FLOAT

Technical Specifications

## Technical Specifications

Eureka FLOAT Aluminum Profile Bar	
Item Description	Part#
2800mm Matte Black	086-1AUSI-MB

Material: Aluminum  
Dimensions: 2800 x 20.3 x 20.3 mm

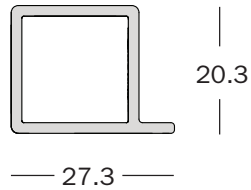
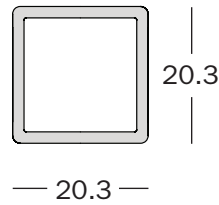
Eureka FLOAT Aluminum Profile Bar with Shelf Holder	
Item Description	Part#
2800mm Matte Black	086-2AUSI-MB

Material: Aluminum  
Dimensions: 2800 x 27.3 x 20.3 mm

- Cut to size using a straight cut on a chop or mitre saw
- Use drilling template jig to mark and drill holes
- Drill 3mm pilot, 7mm screw hole, and then countersink
- Assemble using various connectors
- Fix to wall using mounting clips (086-F1FXE-MB)

## Profile Drilling

## Dimensions



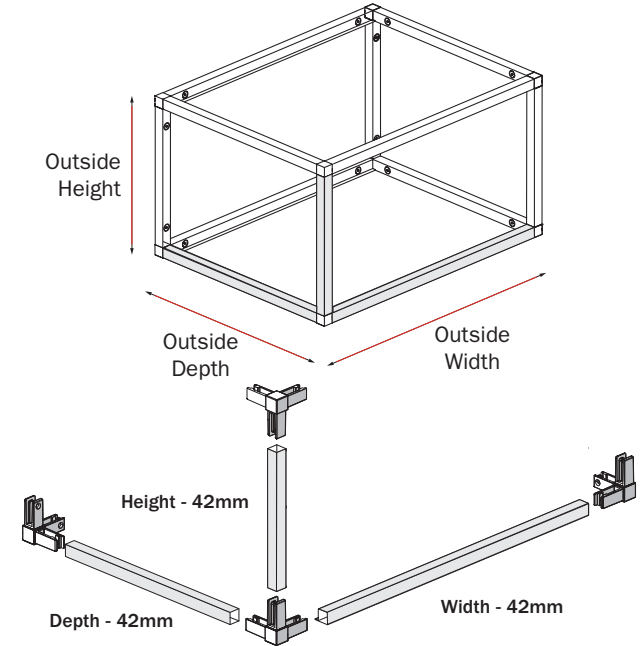
## Important Information\*

Profile bar with shelf holder (086-2AUSI-MB) fits 18mm boards flush. With the use of the the wood spacer kit (086-K2PXE-MB) you can adapt to other material thicknesses.

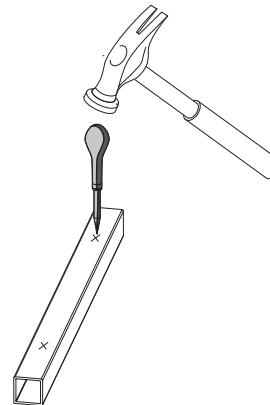
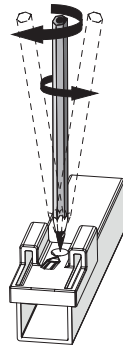
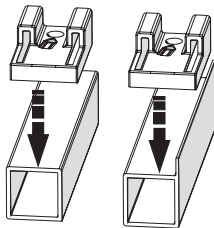
## Bar Cutting Length

**Cut Size: Desired/Measured Outside Length - 42mm.**

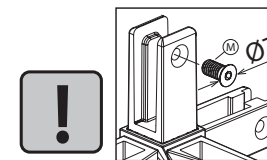
This general formula accounts for the corner joint connector size and provides some installation tolerance. This works for a basic cube in terms of height, width and depth measurements. For more complex structures, see technical specification for examples.



Drilling Template Jig  
086-P1PRI



Drill pilot 3mm then widen to 7mm.  
Finally countersink or chamfer for screw head.



**Eureka FLOAT Shelf Spacers and Cover Caps**

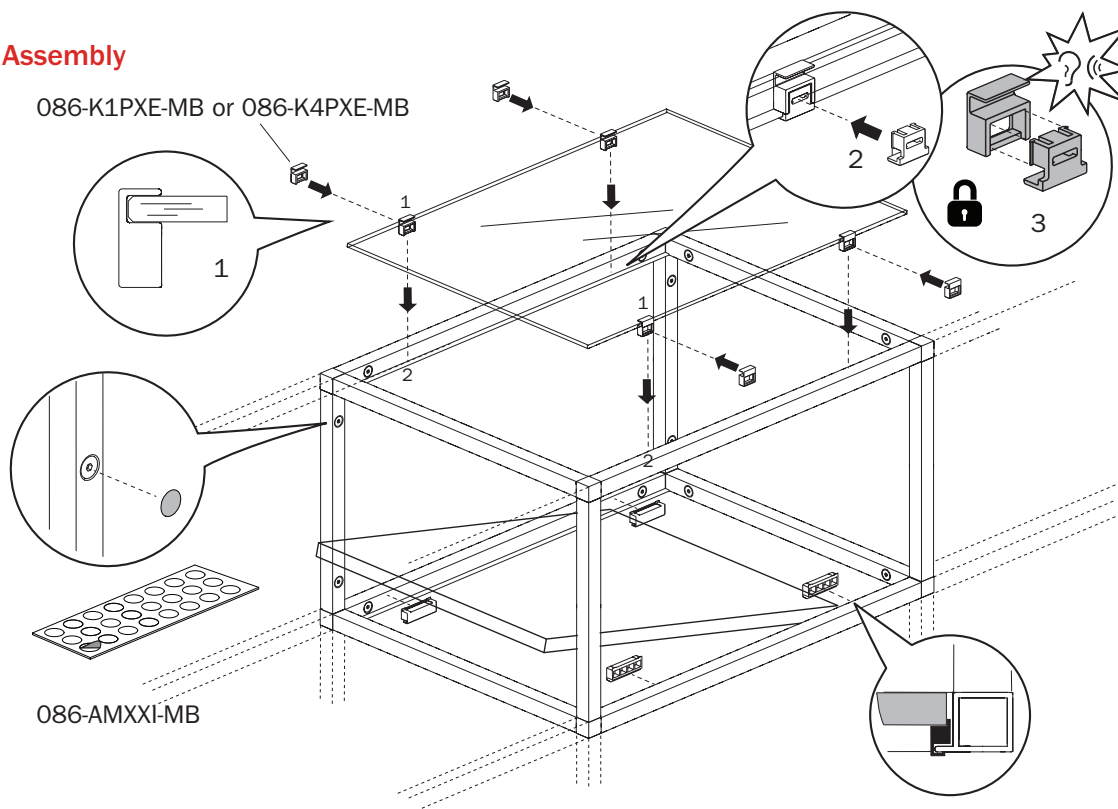
Item Description	Part#
Glass Shelf Spacer for 4mm Matte Black	086-K1PXE-MB
Glass Shelf Spacer for 5mm Matte Black	086-K4PXE-MB
Wood Shelf Spacer 8-16mm Matte Black	086-K2PXE-MB
Cover Caps Adhesive Matte Black	086-AMXXI-MB

- Wood shelf spacer fits wood for shelf thickness from 8-16mm
- Glass shelf spacer works only for glass thickness indicated

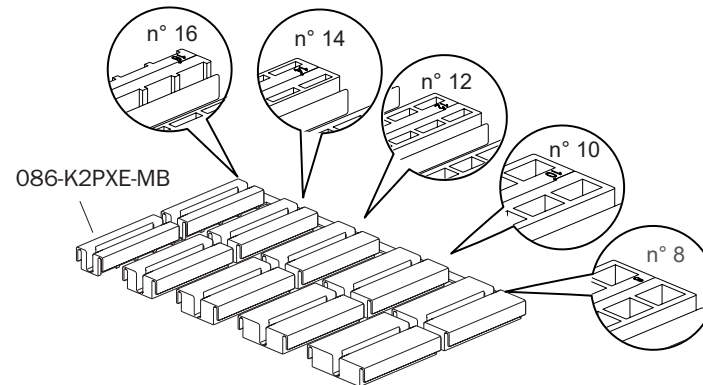
**Cut Sizes:**

- Wood shelf: Length - 42mm and Depth - 42mm
- Glass shelf: Length - 42mm and Depth - 45mm

**Shelf Assembly**



**Wood Thickness Adjustment**



n°	Thickness shelf (T)
8	8mm
10	10mm
12	12mm
14	14mm
16	16mm

!

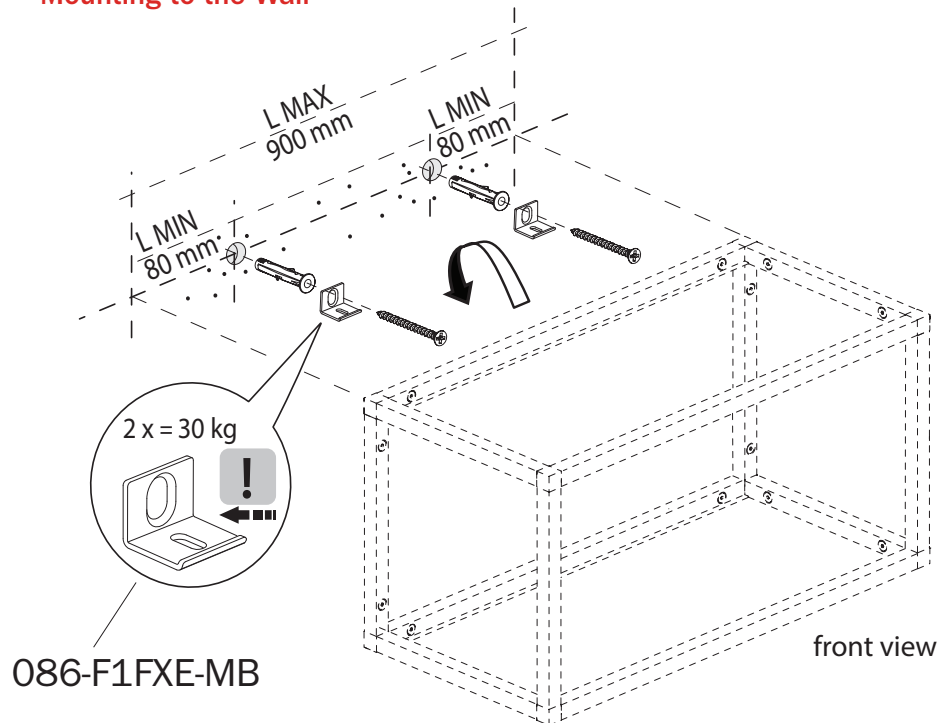
n° T

## Technical Specifications

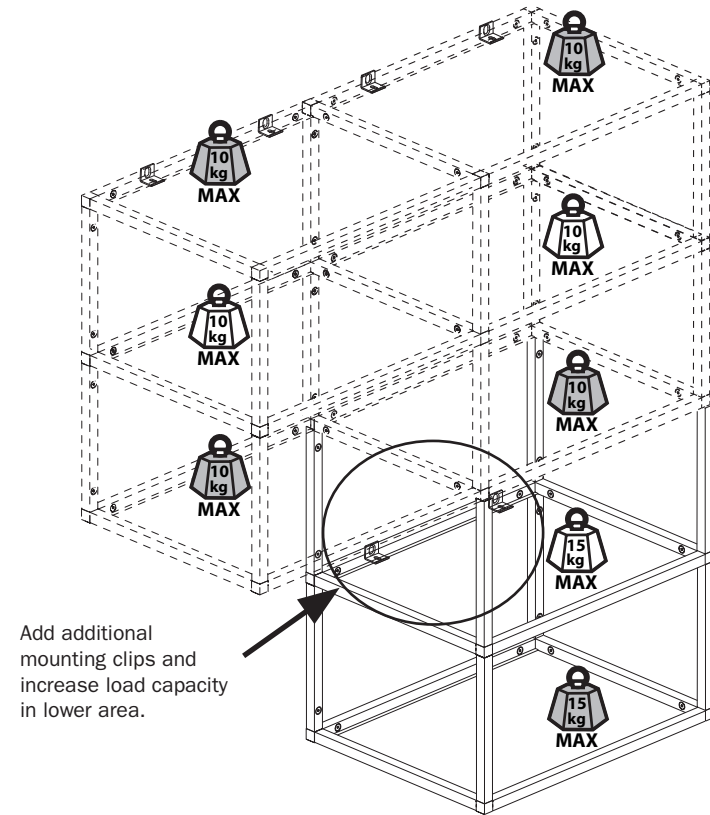
Eureka FLOAT Accessories	
Item Description	Part#
Wall Mounting Clips (Set of 2), Matte Black	086-F1FXE-MB
Drilling Template Jig	086-PIPRI
Extra Screws for Connectors, Matte Black	OFE-AMXXI-MB
Allen Key/Hex T-Handle Tool, 3mm	MAR-THEX-3MM

- Maximum recommended shelf width is 900mm (36in)
- Max load for each section hanging off a pair of mounting clips is 30kg
- Increase load by installing additional clips in lower sections

## Mounting to the Wall



## Calculating Load Capacity

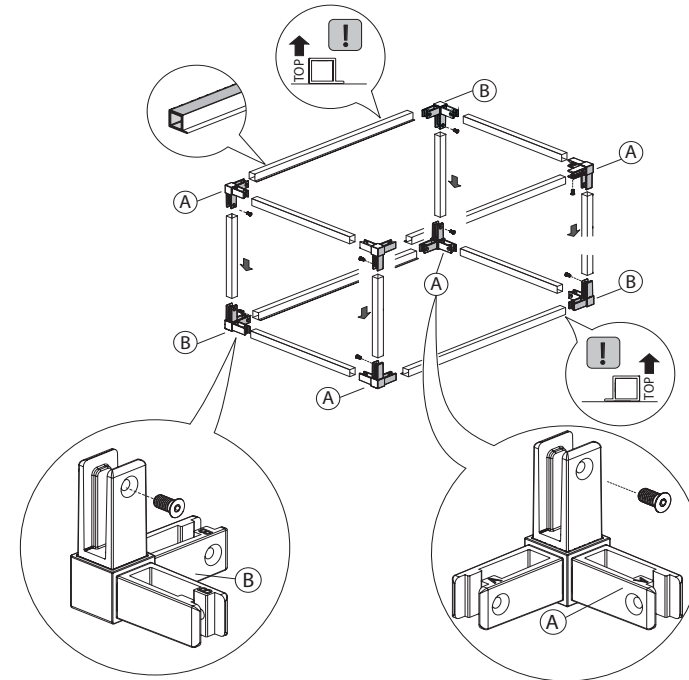


### Eureka FLOAT 3-Way Corner Connectors

Item Description	Part#
3 Way Corner A Side, Matte Black	086-ZIZXE-MB
3 Way Corner B Side, Matte Black	086-ZZZXE-MB
3 Way Corner A Side w/ Adjust. Foot	086-Z1OZXE-MB
3 Way Corner B Side w/ Adjust. Foot	086-Z2OZXE-MB
Extra Screws for Connectors, Matte Black	OFE-AMXXI-MB

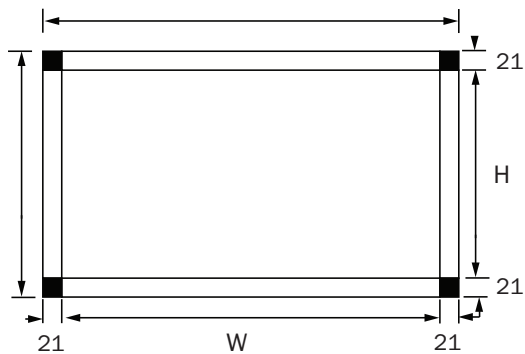
- Corners are not directionally specific. Use 1 of each type (A/B) at each ends of bar that connects in between. See assembly examples for further direction.
- Screws are included with Corner Connectors. Extras intended for spares.

### Basic Assembly with 3-Way Corner Connectors



### Recommendation for Calculating Outside Dimensions

$$\begin{aligned} \text{Total Outside Width} &= 21 + W + 21 \\ &= 42 + W \end{aligned}$$



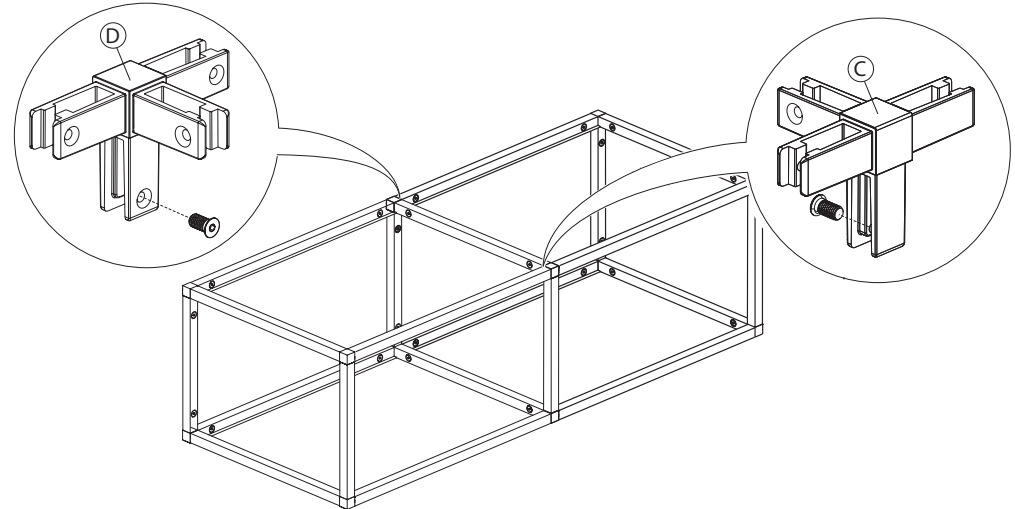
$$\begin{aligned} \text{Total Outside Height} &= 21 + H + 21 \\ &= 42 + H \end{aligned}$$

## Technical Specifications

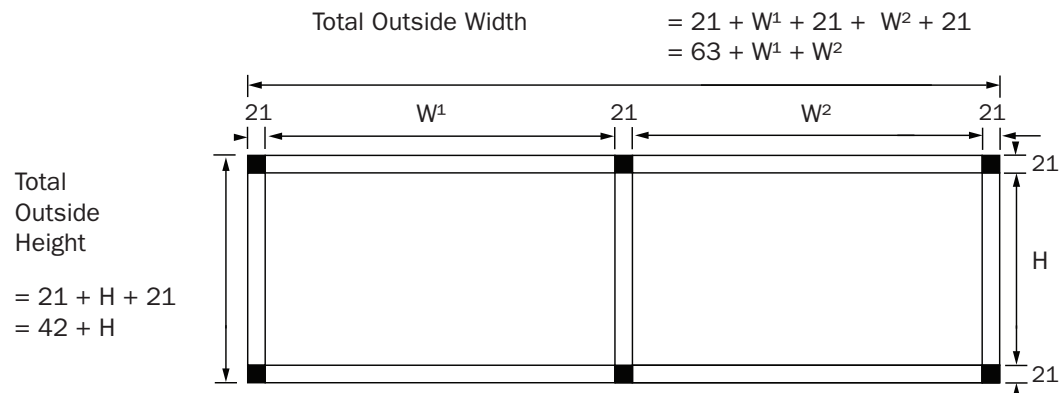
Eureka FLOAT 4-Way Corner Connectors	
Item Description	Part#
4 Way Corner C Side, Matte Black	086-Z3ZXE-MB
4 Way Corner D Side, Matte Black	086-Z4ZXE-MB
Extra Screws for Connectors, Matte Black	0FE-AMXXI-MB

- 4-Way Corners are not directionally specific. Use 1 of each type (C/D) at each ends of bar that connects in between. See assembly examples for further direction.
- Screws are included with Corner Connectors. Extras intended for spares.

## Advanced Assembly with 4-Way Corner Connectors



## Recommendation for Calculating Outside Dimensions

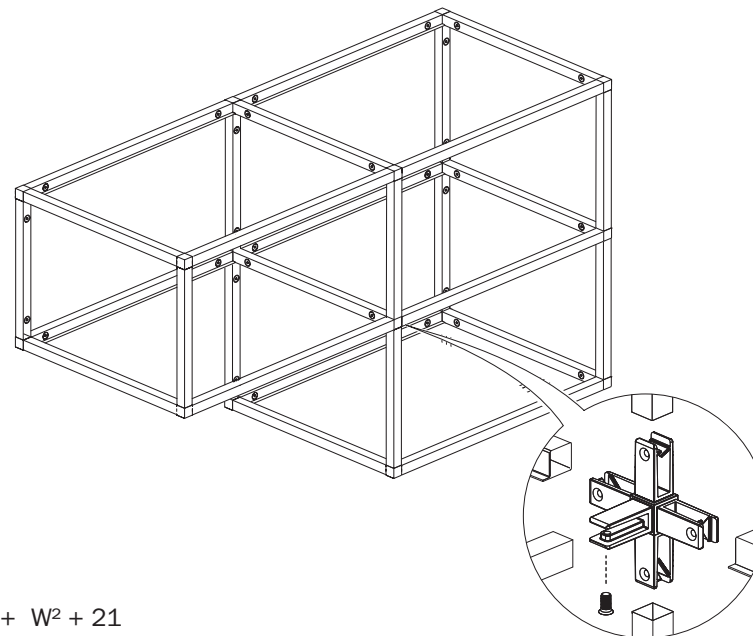


**Eureka FLOAT 5-Way Corner Connectors**

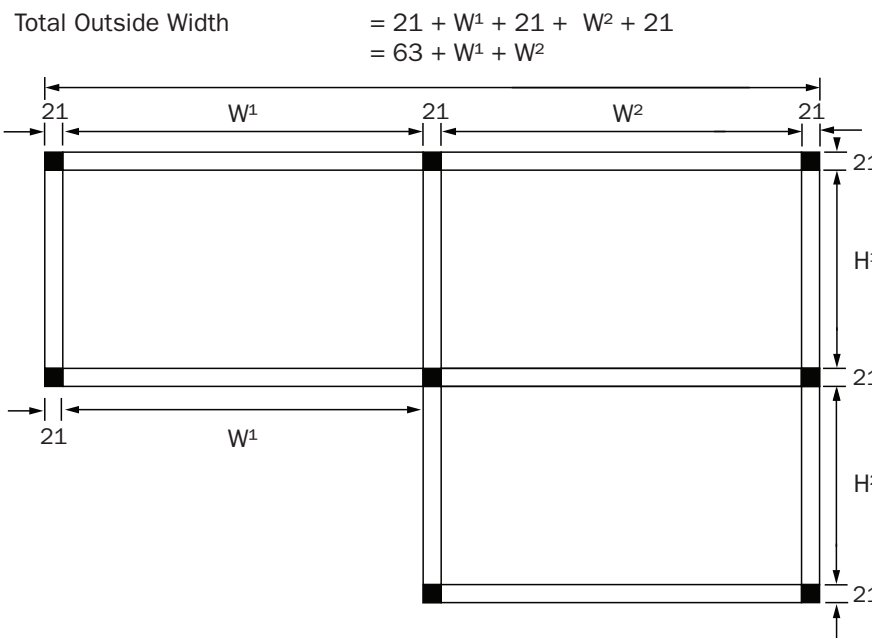
Item Description	Part#
5 Way Corner, Matte Black	086-Z5ZXE-MB
Extra Screws for Connectors, Matte Black	OFE-AMXXI-MB

- Screws are included with Corner Connectors. Extras intended for spares.

**Advanced Assembly with 5-Way Corner Connectors**



**Recommendation for Calculating Outside Dimensions**



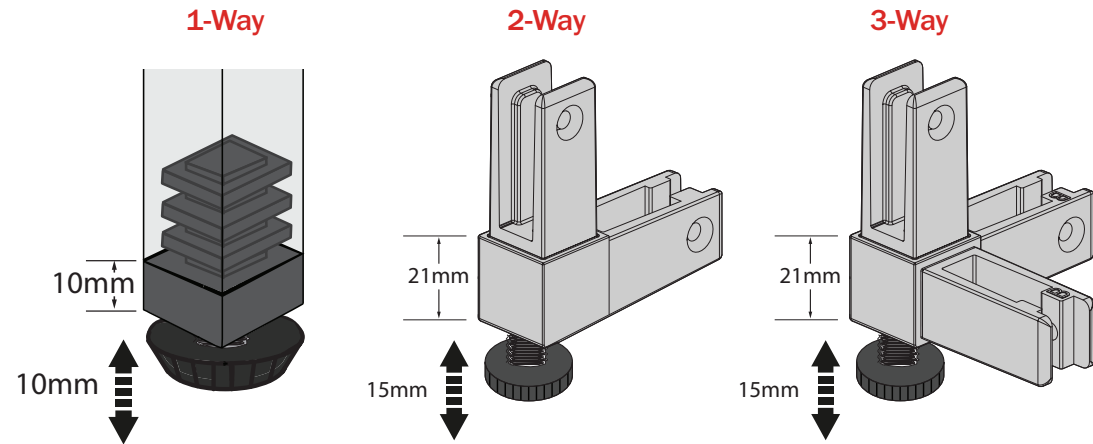
Total Outside Height  
 =  $21 + H^1 + 21 + H^2 + 21$   
 =  $63 + H^1 + H^2$

## Eureka FLOAT 1-Way, 2-Way & 3-Way Corner Connectors

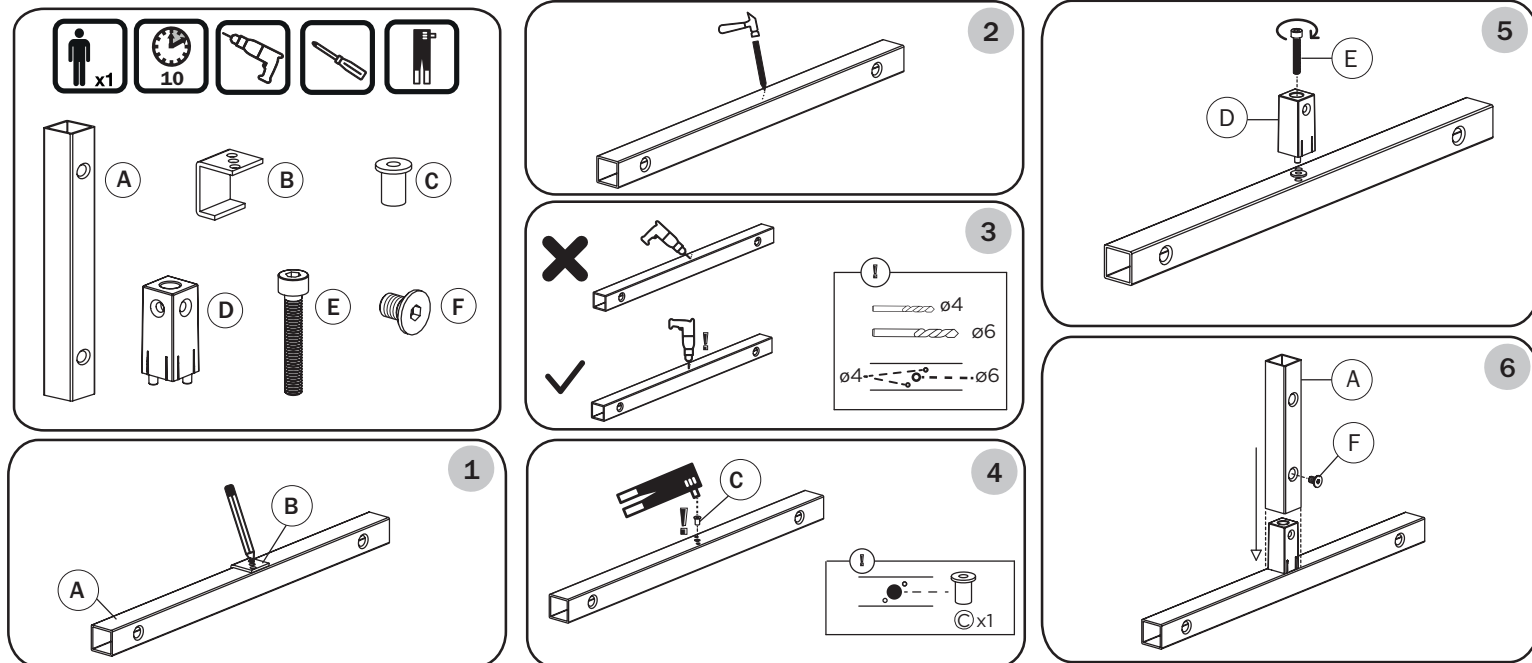
Item Description	Part#
1 Way Hidden Connector, Bare Metal	086-Z0ZXE-MB
1 Way Leg with Adjust. Foot, Matte Black	086-E4RAM-MB
2 Way Corner, Matte Black	086-Z6ZXE-MB
2 Way Corner w/ Adjust. Feet, Matte Black	086-Z8ZXE-MB
3 Way Corner A Side with Adjust. Foot	086-Z10ZXE-MB
3 Way Corner B Side with Adjust. Foot	086-Z20ZXE-MB

- 1-Way Leg with Adjustable Foot adds 10mm to the length of your bar and provides an additional 10mm of adjustment range.
- 2-Way and 3-Way Connectors with Adjustable Feet, have the same dimensions as standard connectors, with 15mm of adjustable range.
- Screws are included with Corner Connectors. Extras intended for spares.

## Leveller Feet Dimensions and Adjustment Range



## Installation Instructions for 1-Way Hidden Connector



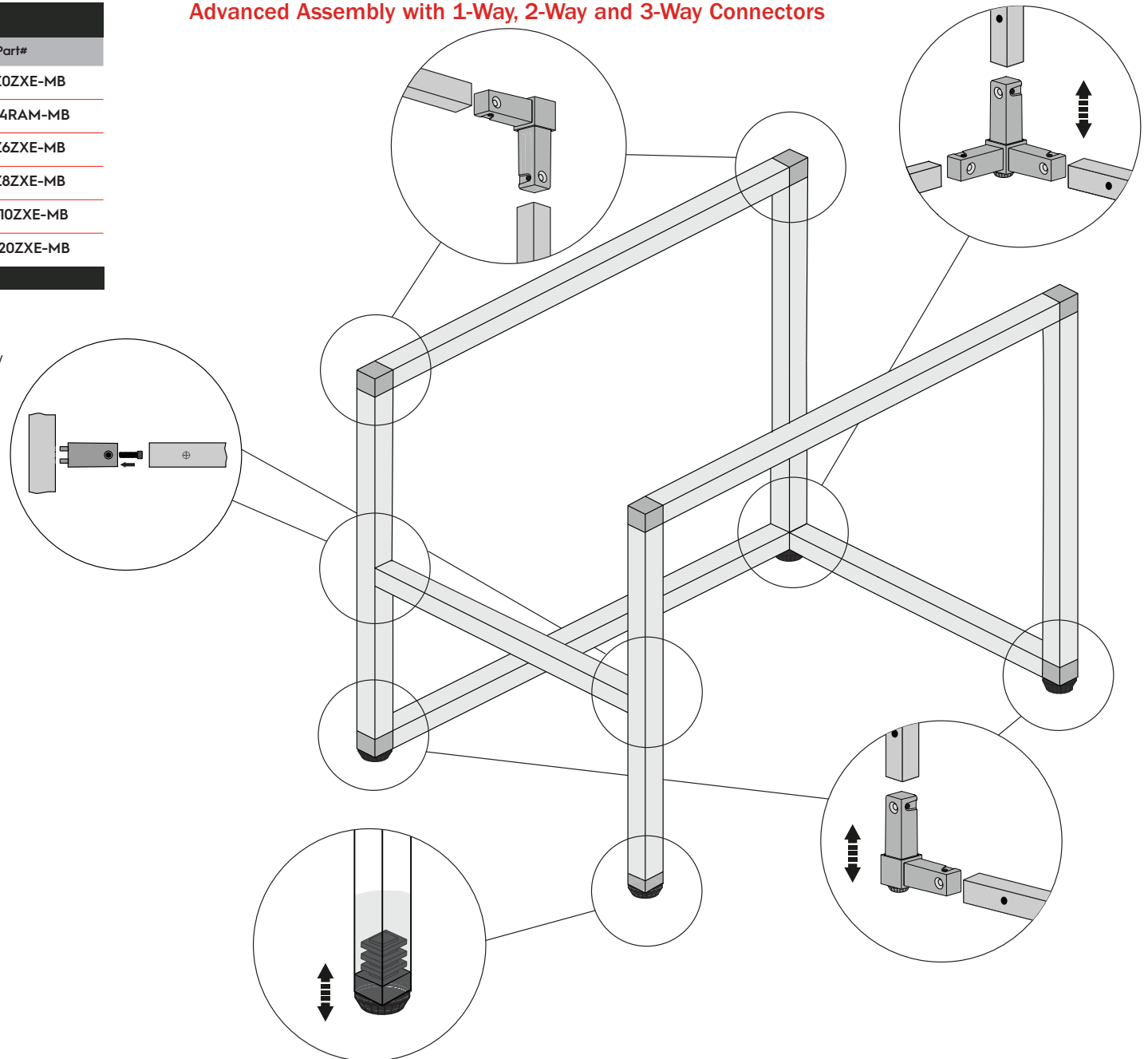


## Eureka FLOAT Corner Connectors

Item Description	Part#
1 Way Hidden Connector, Bare Metal	086-Z0ZXE-MB
1 Way Leg with Adjust. Foot, Matte Black	086-E4RAM-MB
2 Way Corner, Matte Black	086-Z6ZXE-MB
2 Way Corner w/ Adjust. Feet, Matte Black	086-Z8ZXE-MB
3 Way Corner A Side with Adjust. Foot	086-Z10ZXE-MB
3 Way Corner B Side with Adjust. Foot	086-Z20ZXE-MB

- 3-Way Corners are not directionally specific. Use 1 of each type (A/B) at each ends of bar that connects in between. See assembly examples for further direction.
- Screws are included with Corner Connectors. Extras intended for spares.

## Advanced Assembly with 1-Way, 2-Way and 3-Way Connectors





Quality . Innovation . Service

[info@marathonhardware.com](mailto:info@marathonhardware.com)

800.840.1228

