

## Technical Specifications

### Eureka FLOAT Aluminum Profile Bar

Item Description	
2800mm Matte Black	086-1AUSI-MB

Material: Aluminum  
Dimensions: 2800 x 20.3 x 20.3 mm

### Eureka FLOAT Aluminum Profile Bar with Shelf Holder

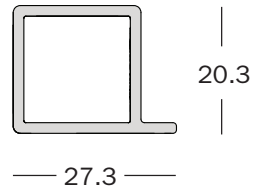
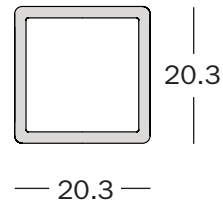
Item Description	Part#
2800mm Matte Black	086-2AUSI-MB

Material: Aluminum  
Dimensions: 2800 x 27.3 x 20.3 mm

- Cut to size using a straight cut on a chop or mitre saw
- Use drilling template jig to mark and drill holes
- Drill 3mm pilot, 7mm screw hole, and then countersink
- Assemble using various connectors
- Fix to wall using mounting clips (086-F1FXE-MB)

## Profile Drilling

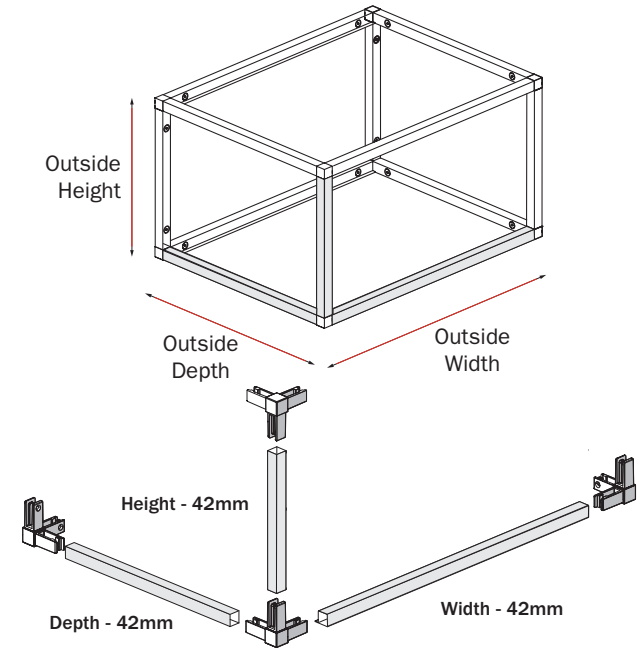
## Dimensions



## Bar Cutting Length

**Cut Size: Desired/Measured Outside Length - 42mm.**

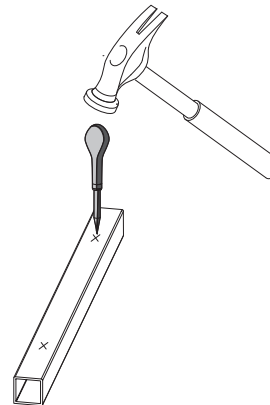
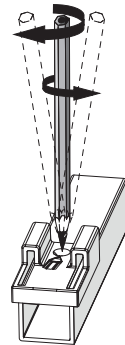
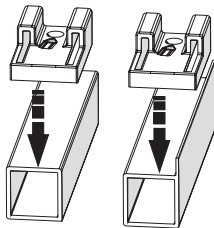
This general formula accounts for the corner joint connector size and provides some installation tolerance. This works for a basic cube in terms of height, width and depth measurements. For more complex structures, see technical specification for examples.



## Important Information\*

Profile bar with shelf holder (086-2AUSI-MB) fits 18mm boards flush. With the use of the wood spacer kit (086-K2PXE-MB) you can adapt to other material thicknesses.

Drilling Template Jig  
086-P1PRI



Drill pilot 3mm then widen to 7mm.  
Finally countersink or chamfer for screw head.

