

Galaxy Maxi Pantry



Product Features

The Maxi Pantry offers a solution for hinged cabinets where the baskets move out automatically when the door is opened. A new mechanism now works with 110 or 120 degree hinges and stabilizes the motion with an attachment to the side of the cabinet.

- Frame is side and bottom mounted
- Two widths for 450mm (18") or 600mm (24") cabinets
- Now available in Anthracite Grey and White / Chrome
- Adjustable shelf heights
- 120 degree hinges are best for full extension of baskets
- Anti-slip melamine bottom baskets are TSCA Title VI compliant
- Load capacity: 75kg (165lbs)
- can be installed on a left or right hinged door

Maxi Pantry Frame and Slide

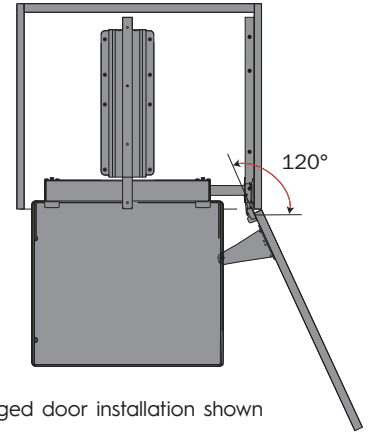
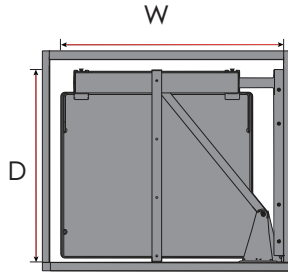
Description	Finish	Part#
W x H x D 414 x 1570-1920 x 488mm (16 5/16 x 61 13/16 - 75 5/8 x 19 3/16")	Anthracite Grey	041-VGM1945-AG
W x H x D 414 x 1570-1920 x 488mm (16 5/16 x 61 13/16 - 75 5/8 x 19 3/16")	Grey	041-VGM1945-G
W x H x D 414 x 1920-2181 x 488mm (21 3/4 x 75 5/8 - 85 7/8 x 19 3/16")	Anthracite Grey	041-VGM1960-AG
W x H x D 414 x 1920-2181 x 488mm (21 3/4 x 75 5/8 - 85 7/8 x 19 3/16")	Grey	041-VGM1960-G

Maxi Pantry Baskets, set of 5

Description	Finish	Part#
W x H x D 320 x 158 x 410mm (12 5/8 x 6 1/4 x 16 1/8")	Anthracite Grey	041-VGML450-AG
W x H x D 320 x 158 x 410mm (12 5/8 x 6 1/4 x 16 1/8")	White & Chrome	041-VGML450-WHC
W x H x D 470 x 158 x 410mm (18 1/2 x 6 1/4 x 16 1/8")	Anthracite Grey	041-VGML600-AG
W x H x D 470 x 158 x 410mm (18 1/2 x 6 1/4 x 16 1/8")	White & Chrome	041-VGML600-WHC



Minimum Interior Cabinet Dimensions



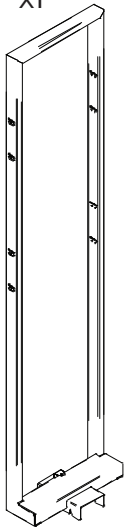
W x H x D 414 x 1570-1920 x 488mm (16 3/8 x 61 1/8 - 75 3/8 x 19 3/8")

W x H x D 414 x 1920-2181 x 488mm (21 3/8 x 75 3/8 - 85 3/8 x 19 3/8")

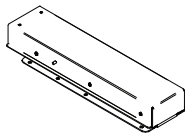
*Right hinged door installation shown

What's In The Box

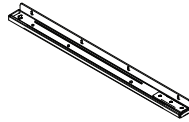
1. x1



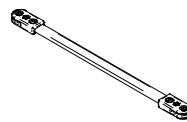
2. x1



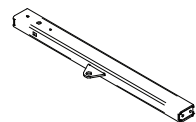
3. x1



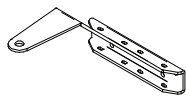
4. x2



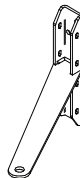
5. x1



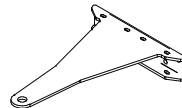
6. x1



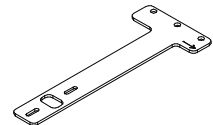
7. x1



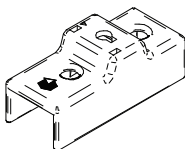
8. x2



9. x1



10. x1



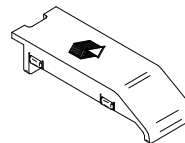
11. x2



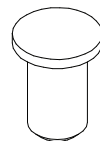
12. x2



13. x4



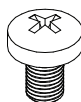
14. x4



15. x2



16. x2



17. x3



18. x6



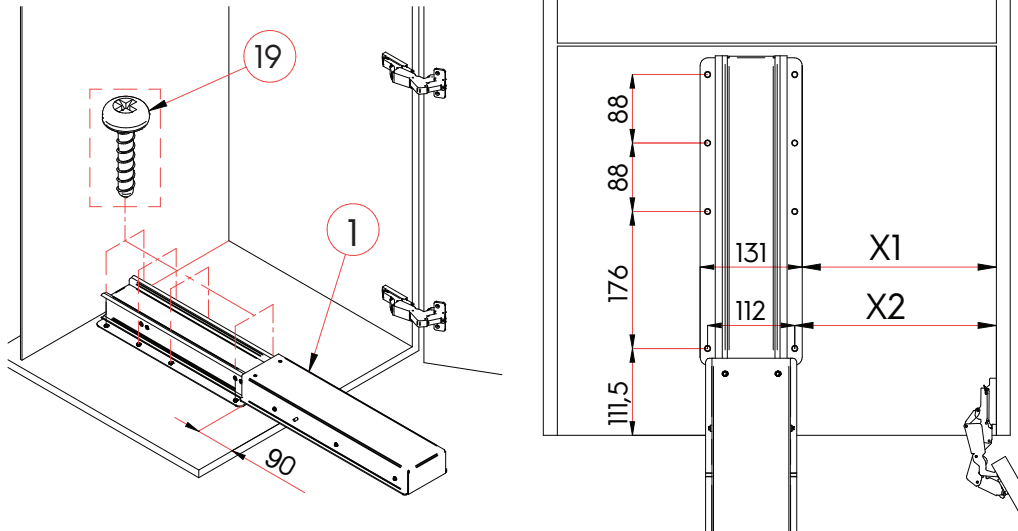
19. x27



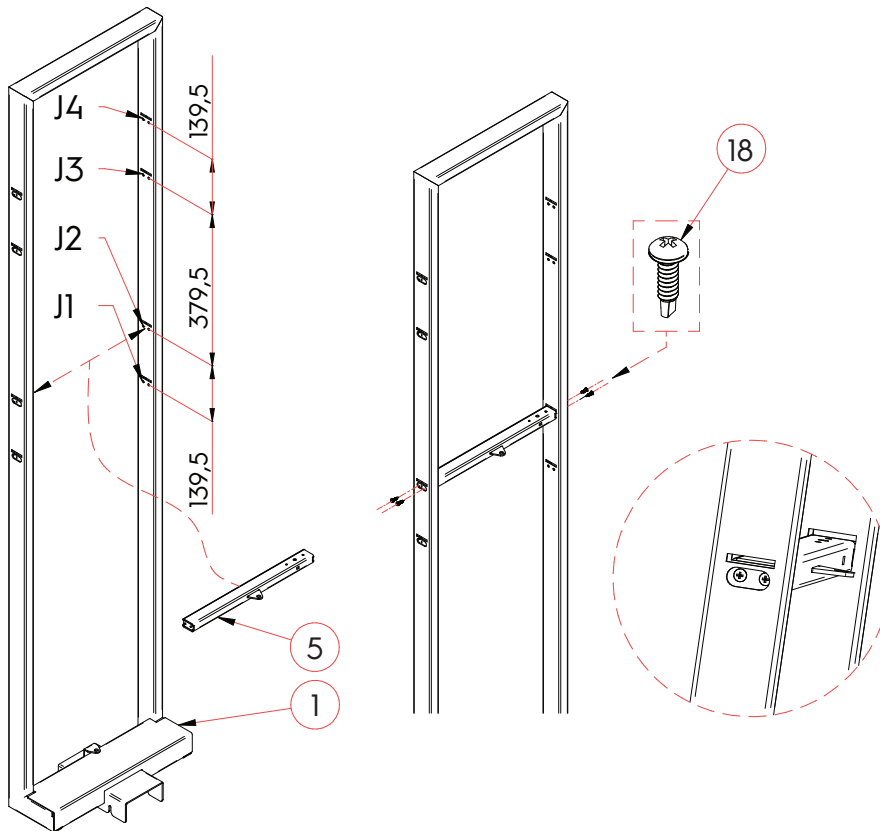


Step #1

Mod.	X1	X2
45	174,5	184
60	249,5	259

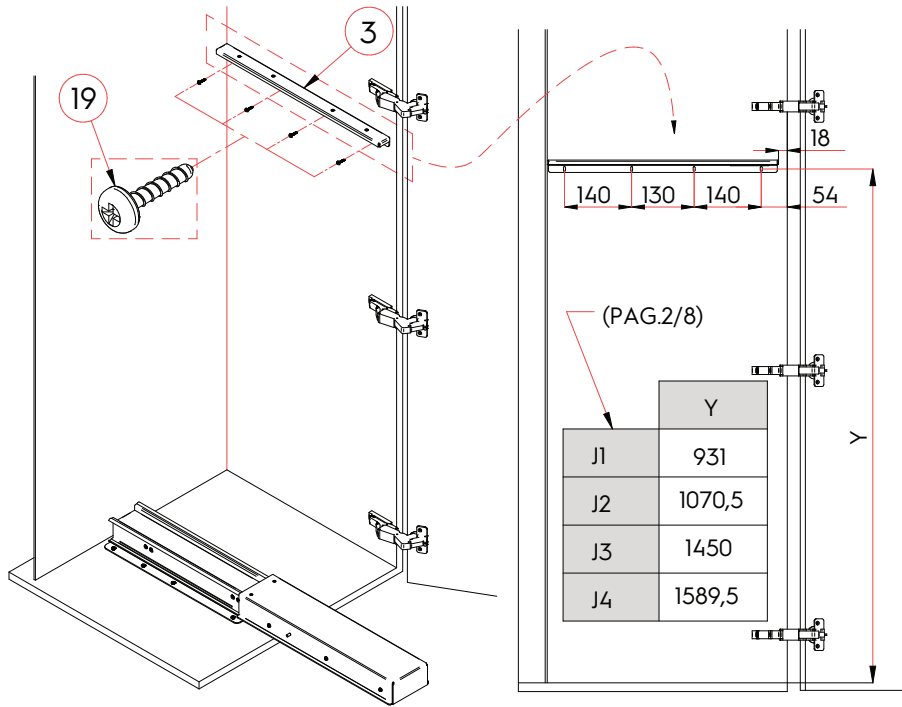


Step #2

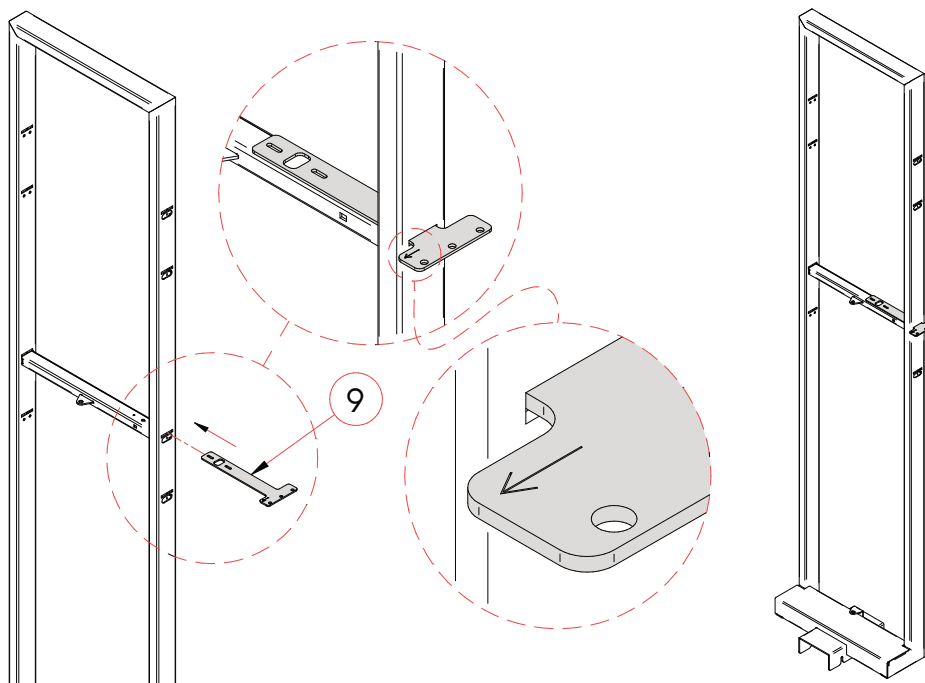




Step #3

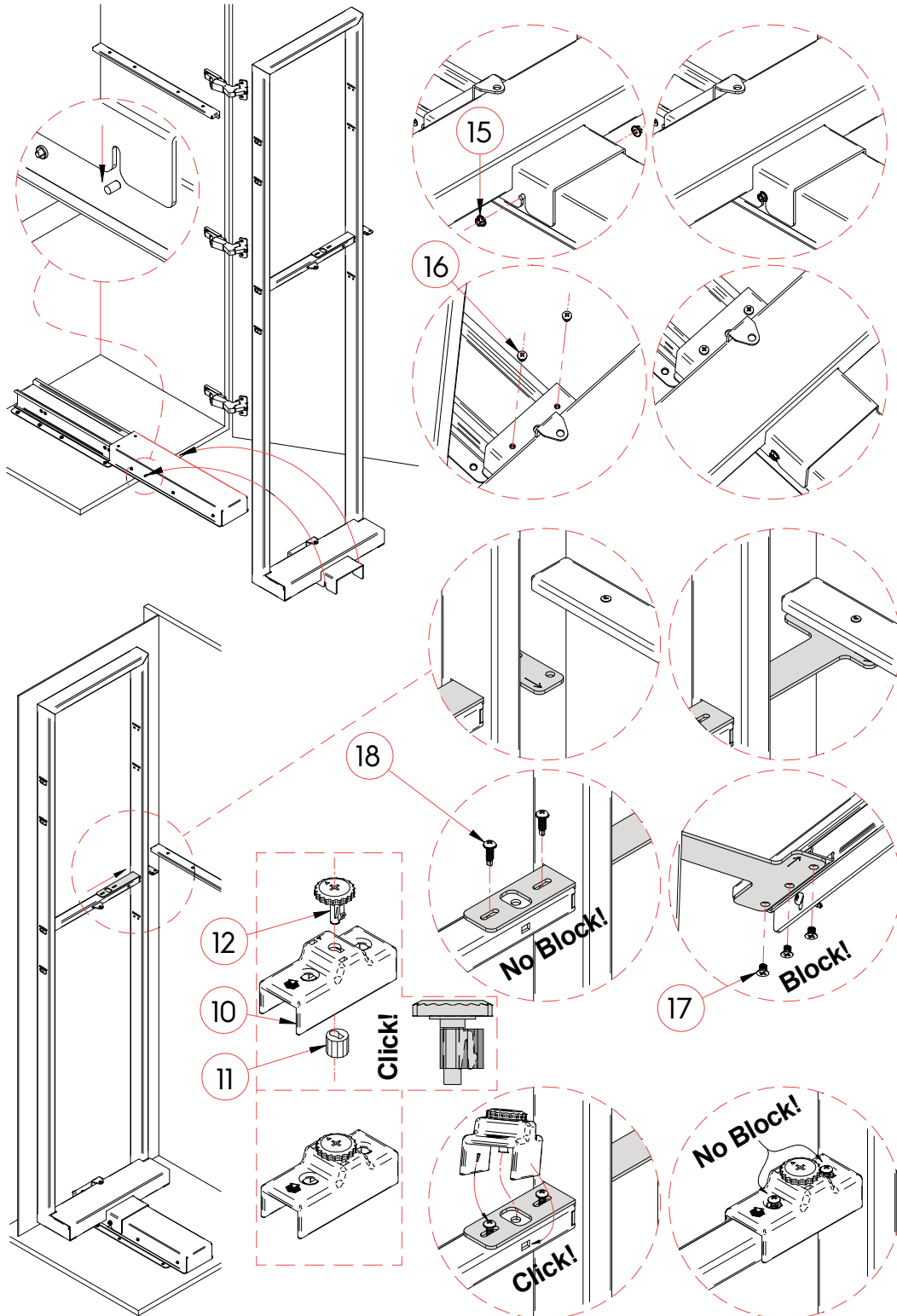


Step #4



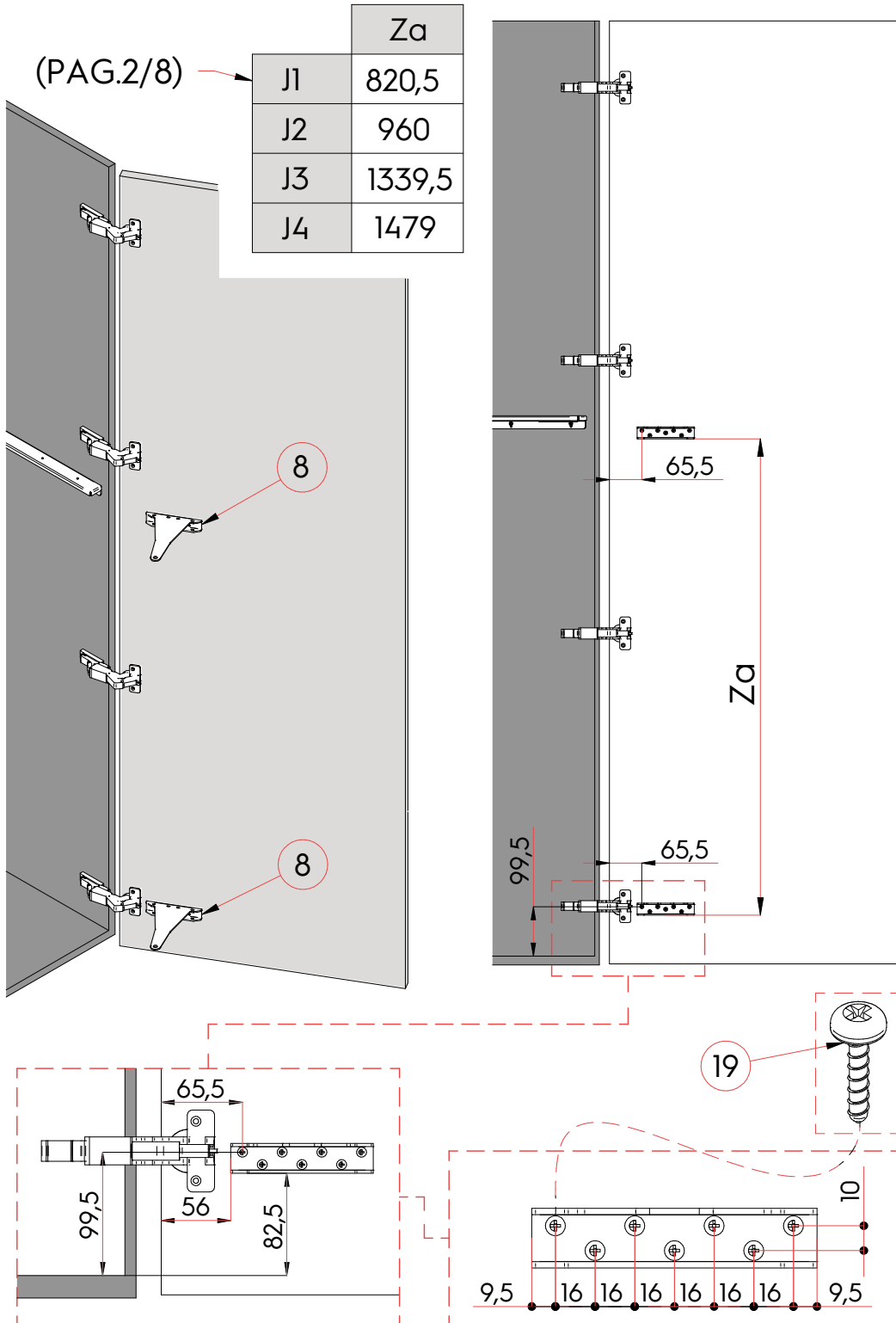


Step #5



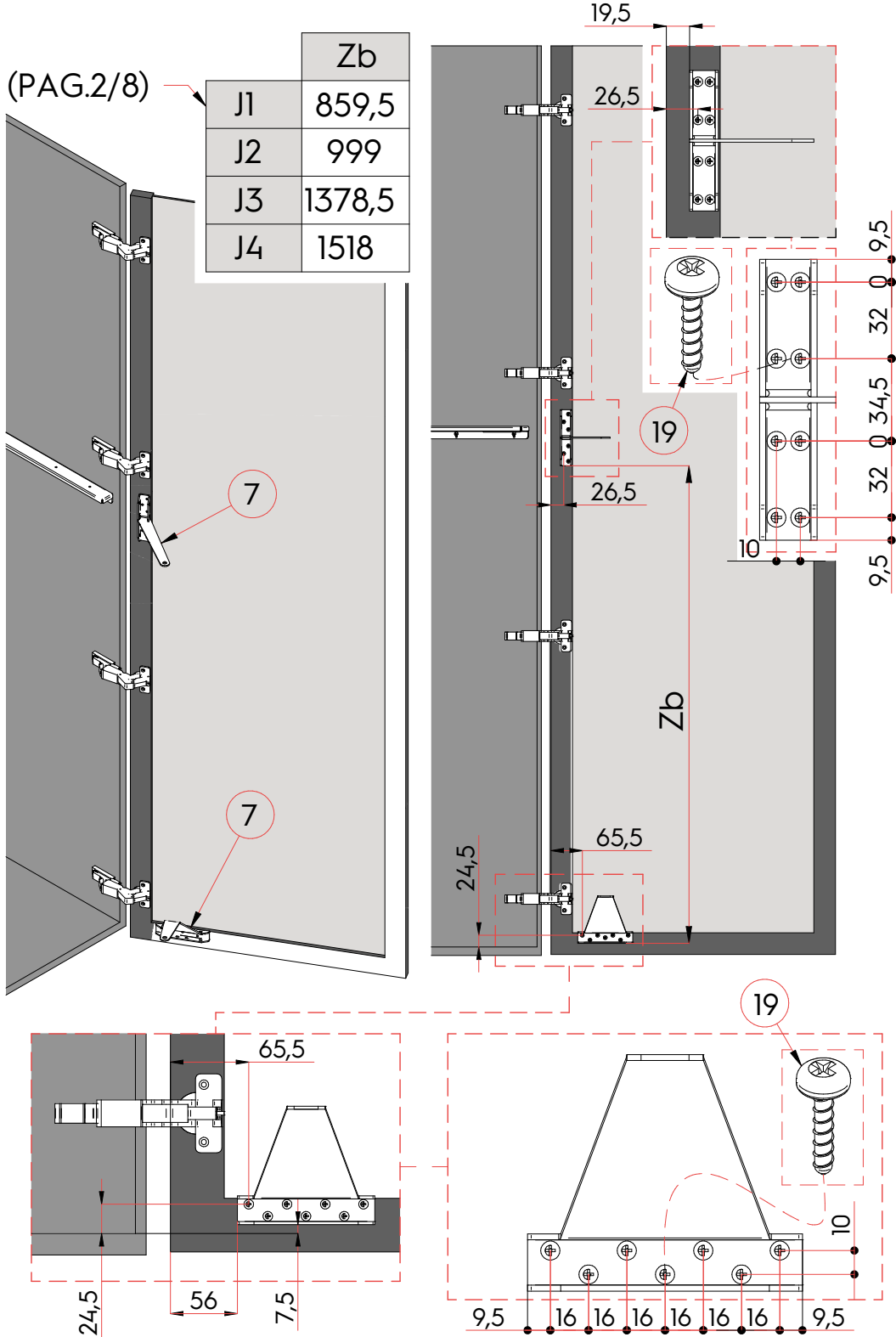


Step #6



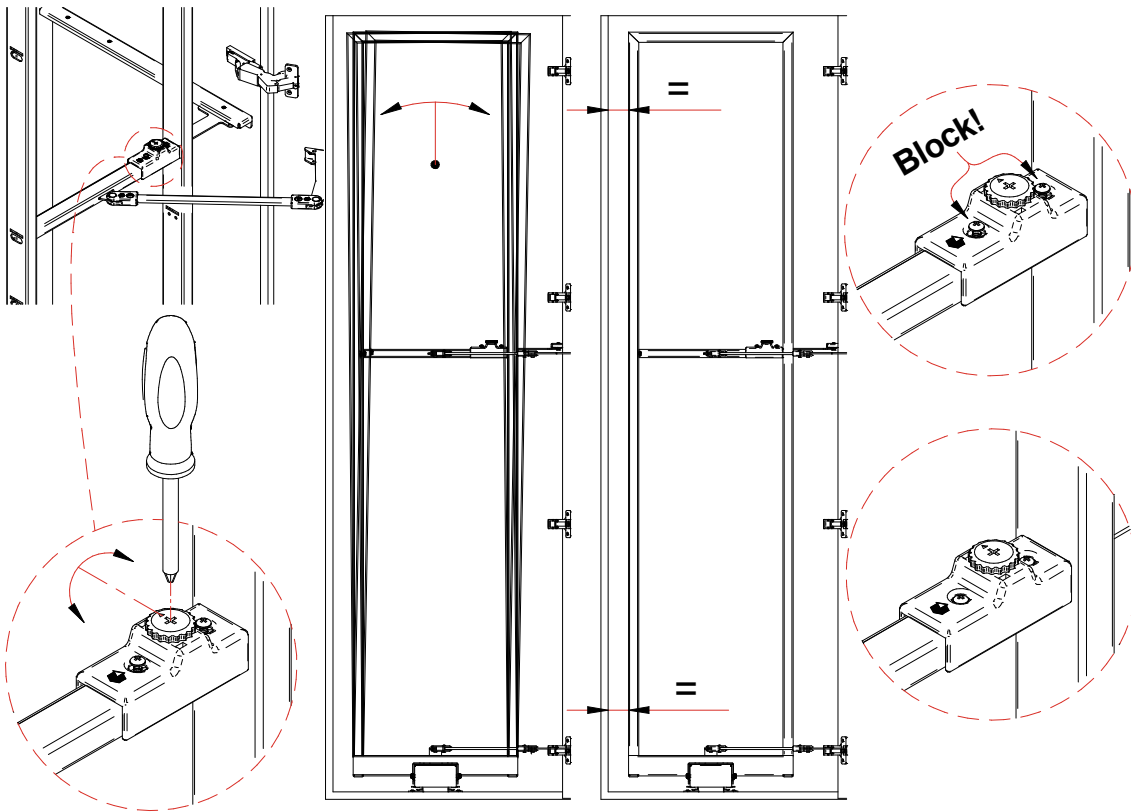
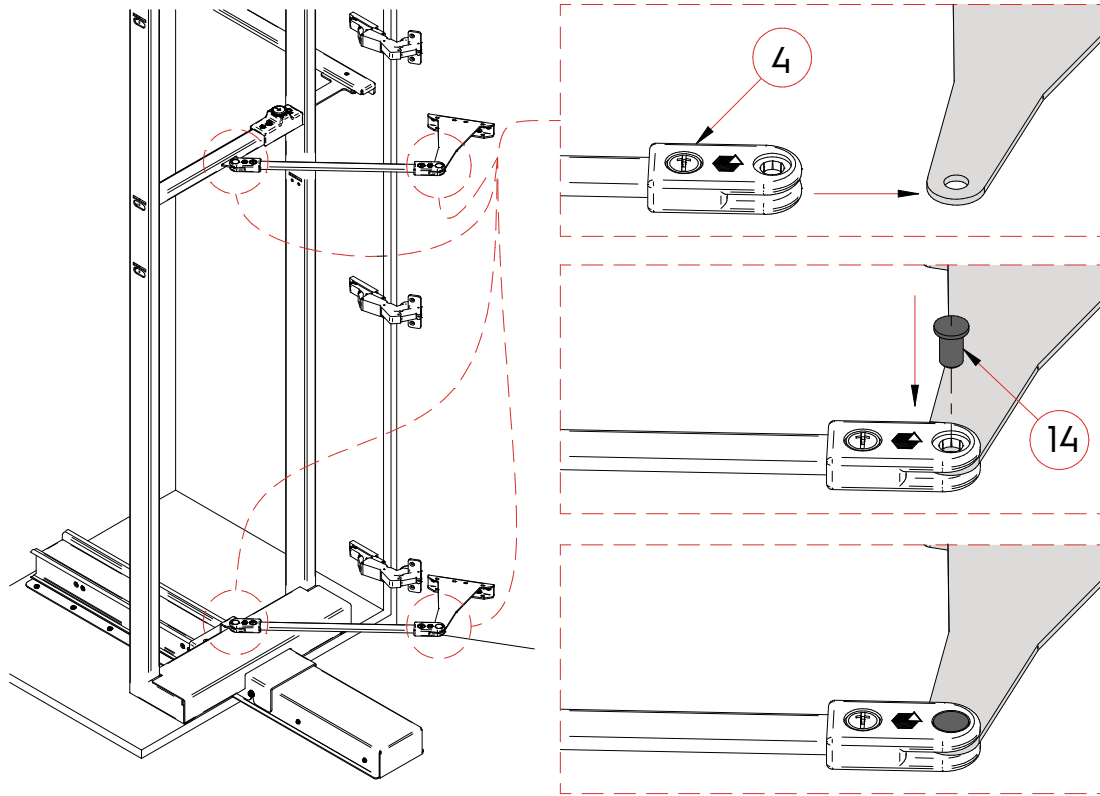


Step #7



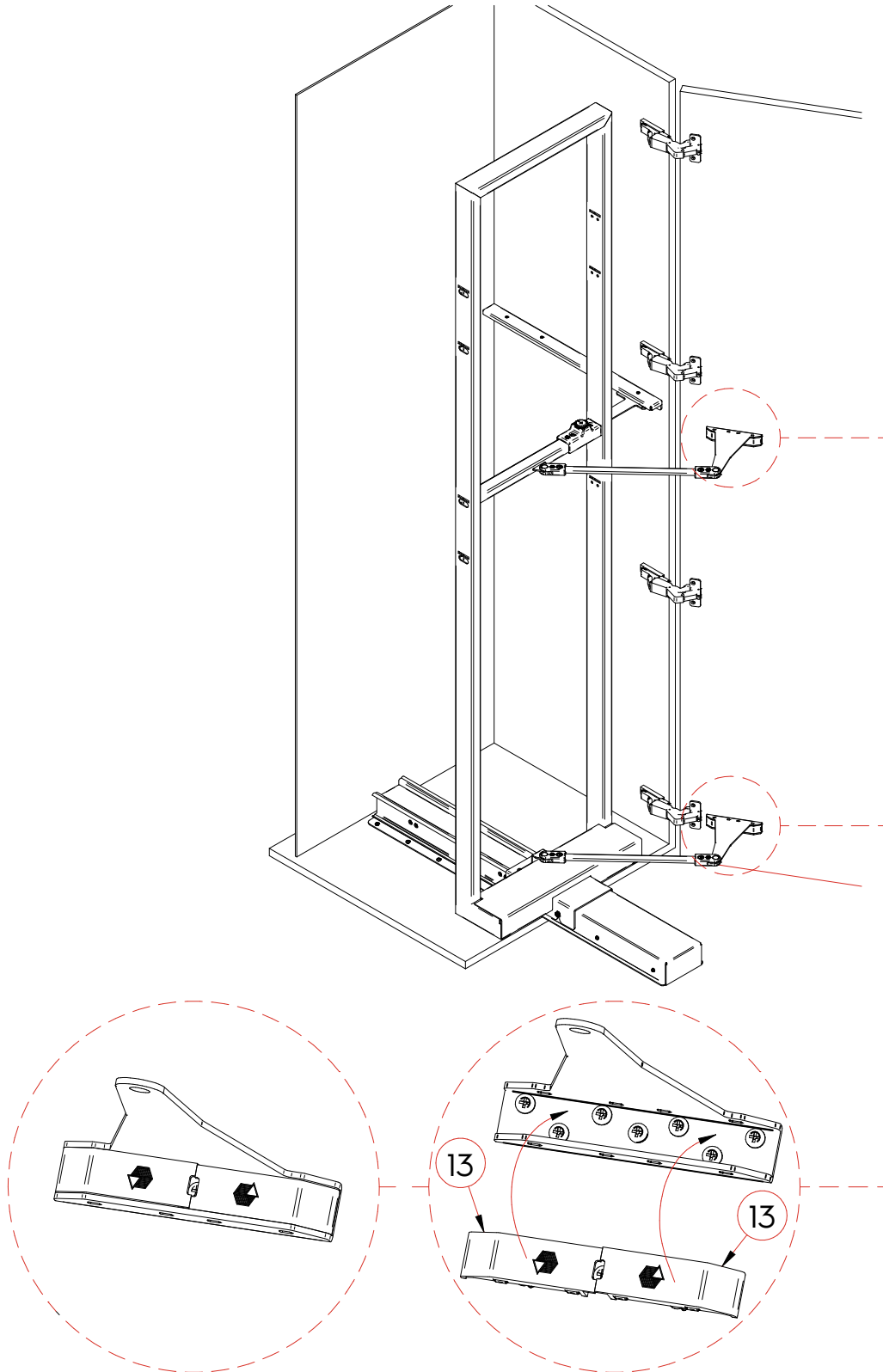


Step #8



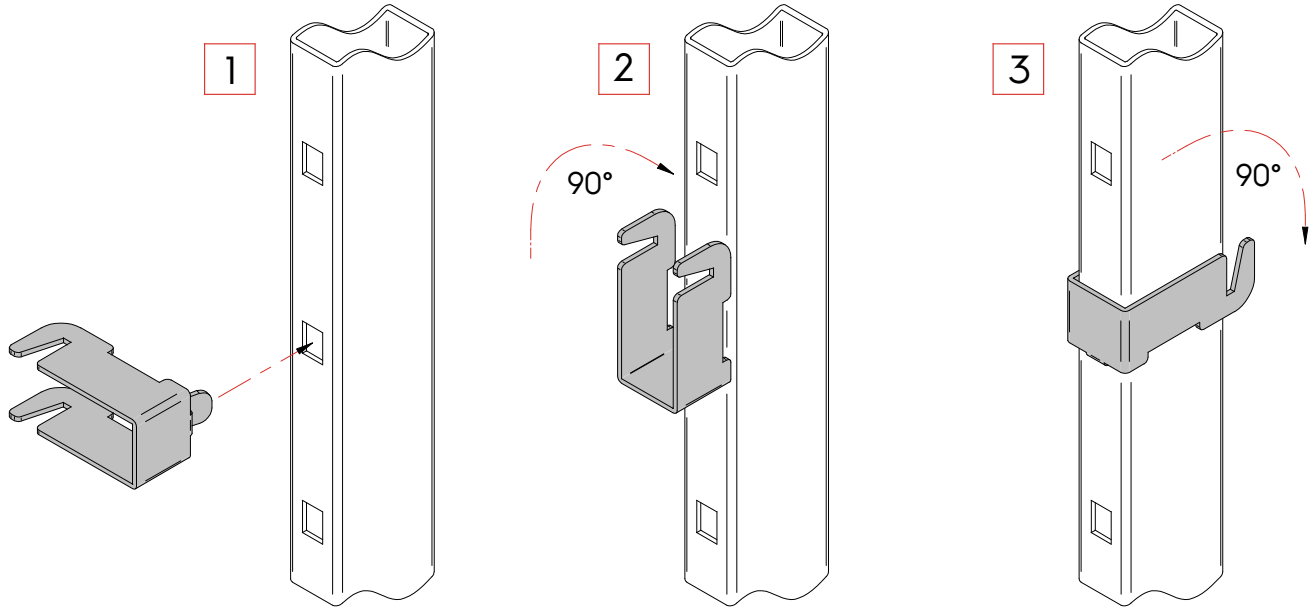


Step #9





Step #10



Step #11

