

**M-Series Laundry Hamper**



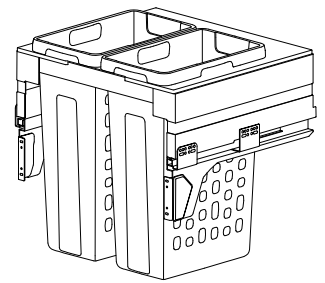
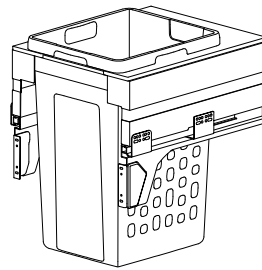
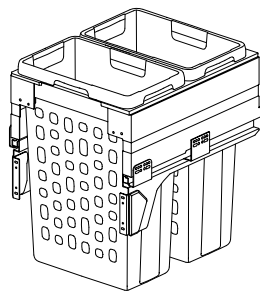
**Product Features**

The M-Series Max Bin laundry hampers combine sleek design with smart functionality, keeping laundry discreet while saving space. A soft-close mechanism and generous storage capacity ensures smooth operation and convenience. Perfect for bathrooms, laundry rooms, and utility spaces, this stylish hamper mounts easily to cabinet sides, offering a clean, modern solution for any home.

- Runs on DTC-powered M-Series Max Bin soft-close undermount slides
- 6-way adjustment for perfect door alignment (+/-5mm)
- Ventilation holes in the laundry baskets reduce the buildup of odours
- Load capacity: 45kg (100lbs)

**What's In the Box**

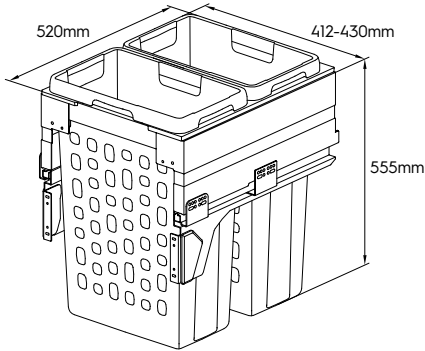
- Template
- Slides
- Metal brackets
- Plastic tray
- Door arms
- Screw covers
- Laundry Hampers



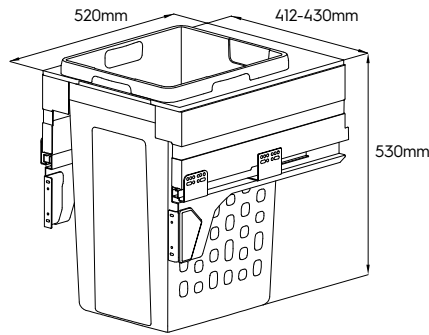
**M-Series Max Bin Laundry Hamper Ordering Guide**

Description	Capacity	Dimensions (W x D x H)	Part#
Side-mounted laundry hamper 18"	70L (2 X 35L)	412 - 430 x 520 x 555mm (16 7/32 - 16 15/16 x 20 15/32 x 21 27/32")	04-LHM450-35W
Side-mounted laundry hamper 18"	48L	412 - 430 x 520 x 530mm (16 7/32 - 16 15/16 x 20 15/32 x 20 7/8")	04-LHM450-48W
Side-mounted laundry hamper 24"	70L (2 X 35L)	562 - 580 x 520 x 555mm (22 1/8 - 22 27/32 x 20 15/32 x 21 27/32")	04-LHM600-35W

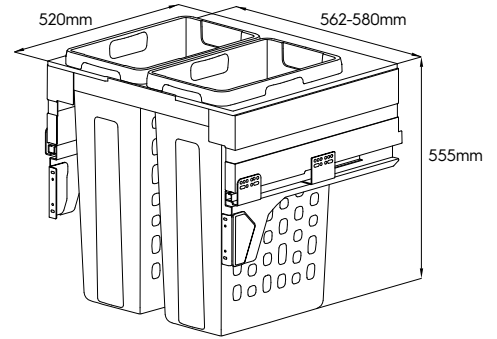
### Dimensions



04-LHM450-35W

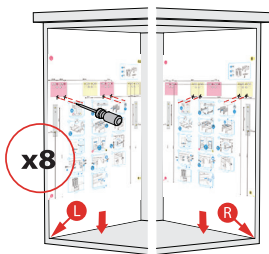


04-LHM450-48W



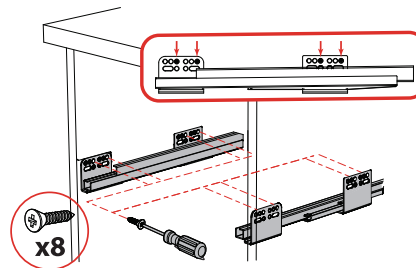
04-LHM600-35W

### Step #1



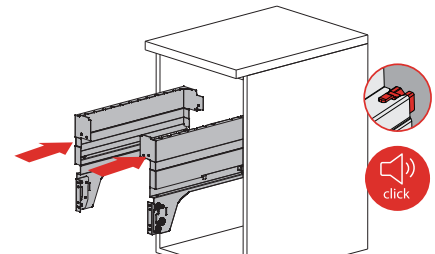
Measure from bottom edge of cabinet and use template to mark holes with awl.

### Step #2



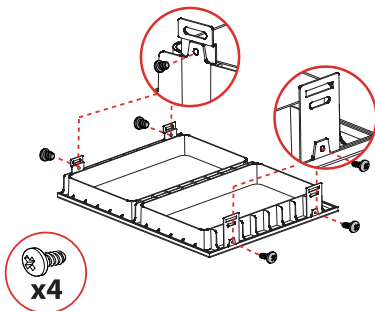
Drill and screw slides.

### Step #3



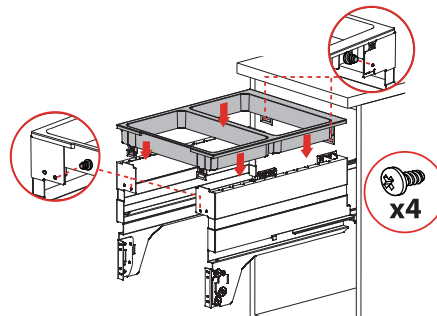
Install metal brackets. Makes click sound.

### Step #4



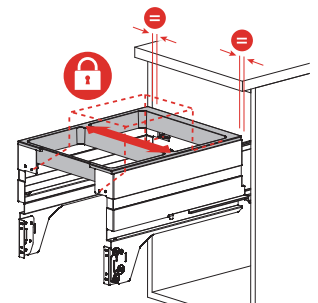
Screw small metal brackets to the plastic tray.

### Step #5



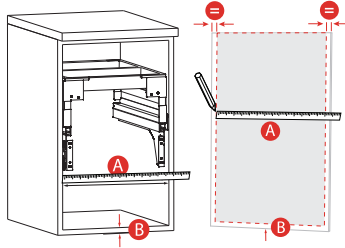
Install plastic tray loosely with screws, allowing for adjustment.

### Step #6



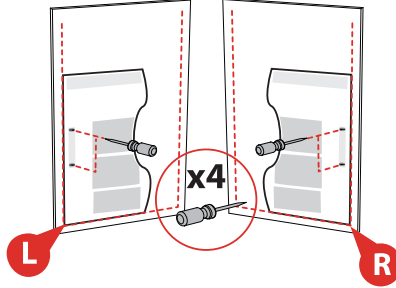
Adjust plastic tray position, tighten screws when parallel.

### Step #7



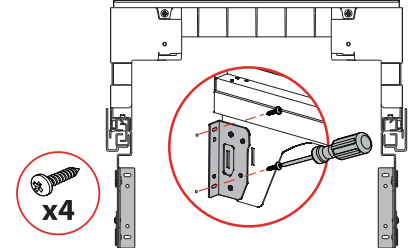
Measure and mark the cabinet bottom and side edge on the door.

### Step #8



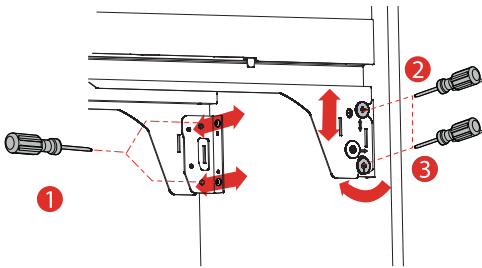
Use template to mark bracket holes on the door.

### Step #9



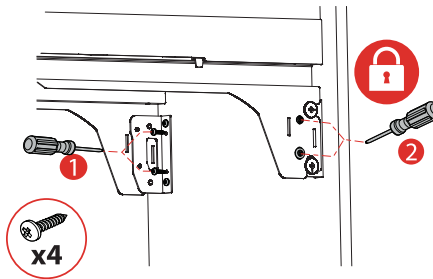
Screw door arms to cabinet using the slotted holes.

### Step #10



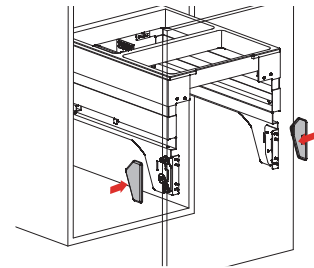
Adjust left and right **1** then tighten. Adjust vertical **2** and tilt **3**.

### Step #11



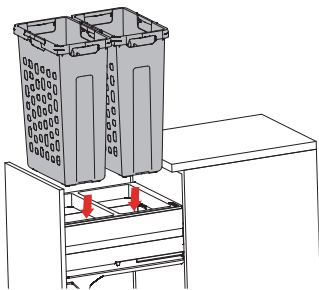
Screw the front bracket to the door **1**. Lock vertical and tilt adjustment **2**.

### Step #12



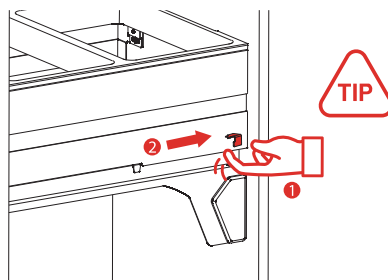
Install screw covers.

### Step #13



Insert laundry hampers.

### Step #14



To release brackets from the runners, click switch **1** on the sides of the brackets and slide out **2**.