



## **INTRODUCING** NEW! Tilt-Out Laundry Hampers

Our new tilt-out laundry hamper offers a narrow depth option for convenient laundry storage. Featuring large storage bins with breathable designs and integrated handles, these are perfectly suited for installation in bedroom closets or bathroom linen areas.

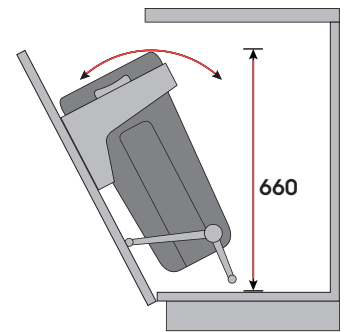
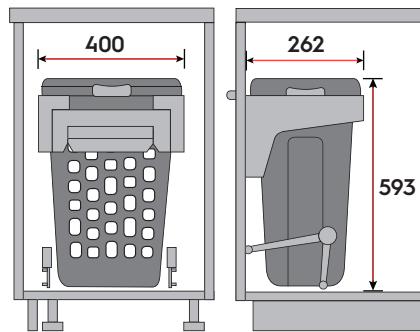
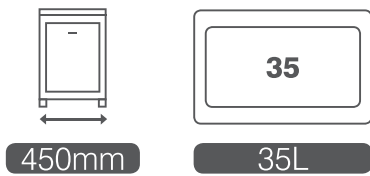
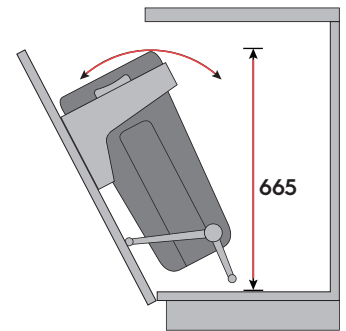
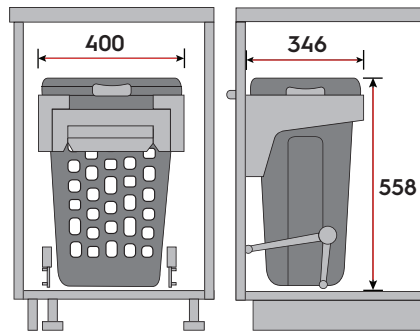
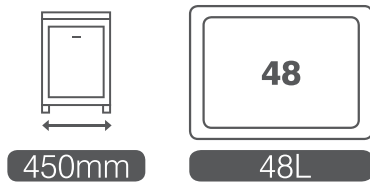
The tilt-out laundry hamper includes a soft-close damper and installs with two of your own standard door hinges at the bottom of the door. Two versions are in stock with large 35L or 48L bins, for cabinets of 18" or 450mm outside width. Full height doors in both slab and shaker style are compatible.

### **Product Features**

- Door mount compatible for both slab and shaker doors
- Designed for full-height cabinet doors, not suitable for drawers above
- Installs with your standard cabinet hinge on bottom of cabinet/door
- Hinge offers door adjustment (depending on model)
- Tilt out arm included along with soft-close damper
- Removable baskets with breathable design and integrated handles
- Suits 18" or 450mm outside width cabinets
- Narrow depth suits closets (less than 11 or 14" depth required)
- Load Capacity: 10 kg (22 lbs)


**Tilt-Out Laundry Hampers**

Cabinet Width	Bin Size / Colour	W x H x D mm	Part#
18" (450mm)	1 x 35L White Bin	400 x 552 x 261	04-LHF450-35-W
18" (450mm)	1 x 48L White Bin	400 x 530 x 346	04-LHF450-48-W

**04-LHF450-35-W**

**04-LHF450-48-W**


For more information on Laundry Hampers and other home storage products, please visit our website at [marathonhardware.com](http://marathonhardware.com)

