

M-Series Laundry Hamper for Double Wall Drawers

Product Features

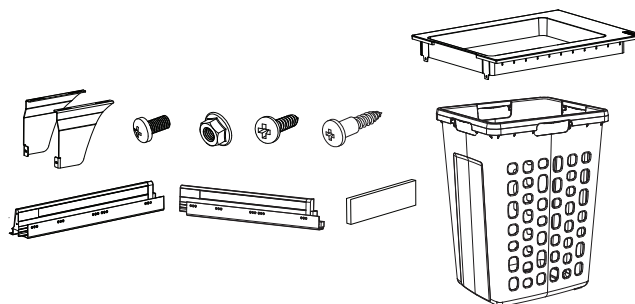


M-Series laundry hampers for DTC Infinity doublewall drawers offer a rigid and attractive, full-extension pullout for convenient laundry storage. Available for 400mm, 450mm, and 600mm cabinet widths, M-series laundry hampers feature a load capacity of 40kg (88lbs) and large storage bins with breathable designs and integrated handles, making this laundry storage solution perfect for reducing the hassle often associated with laundry day.

- Simple upgrade on DTC Infinity Doublewall drawer systems (sold separately)
- No special installation required as the hamper system sits on the top of the doublewall drawer sides
- Easily removable baskets with breathable design and integrated handles
- Additional sturdy door-mount bracket to strengthen connection to door
- Side-Mounted for 400mm, 450mm or 600mm outside width metric size cabinets (15-3/4, 17-3/4 or 23-5/8 in)
- Load Capacity: 40 kg (88 lbs) when installed on the Infinity Doublewall

What's In the Box - Top-mounted (04-LHB)

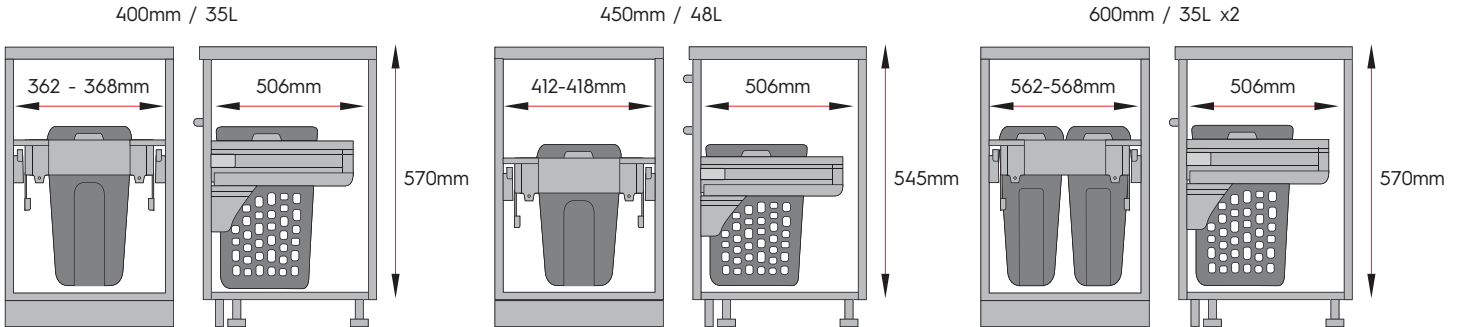
- Bin
- Tray
- Screws
- Rails
- Runnaers
- Brackets



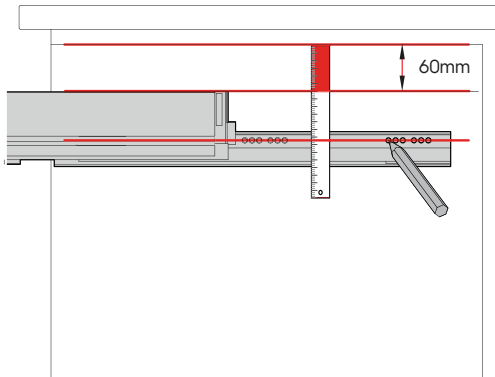
M-Series Laundry Hamper for Infinity Doublewall Ordering Guide

	Cabinet Width	Capacity	W x H x D mm
04-LHB400-35X-W	400mm (15 3/4")	35L	362 - 368 x 570 x 506
04-LHB450-48X-W	450mm (17 3/4")	48L	412 - 418 x 545 x 506
04-LHB600-35X-WB	600mm (23 5/8")	35L	562 - 568 x 570 x 506

M-Series Laundry Hamper for Infinity Doublewall Installation Dimensions

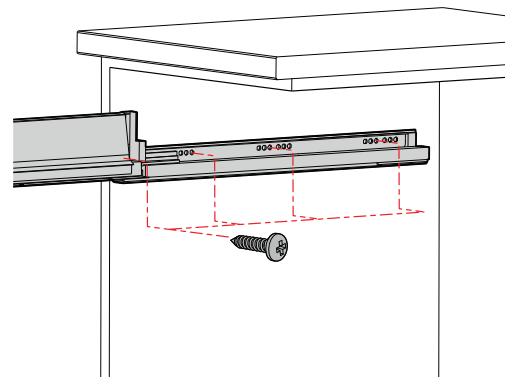


Infinity Doublewall Installation Instructions - Step #1



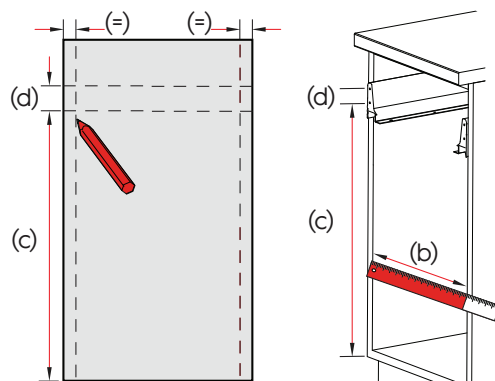
Measure 60mm (minimum) to top of runner and mark location of mounting holes.

Step #2



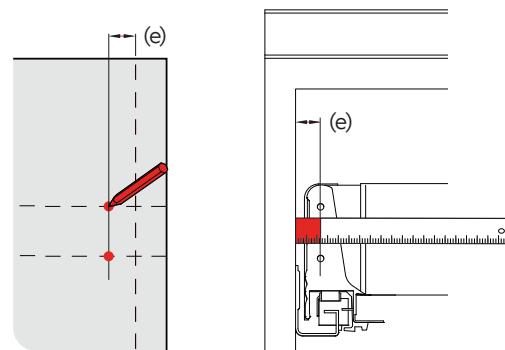
Mount runners as per manufacturers instructions. (Slides sold separately)

Step #3



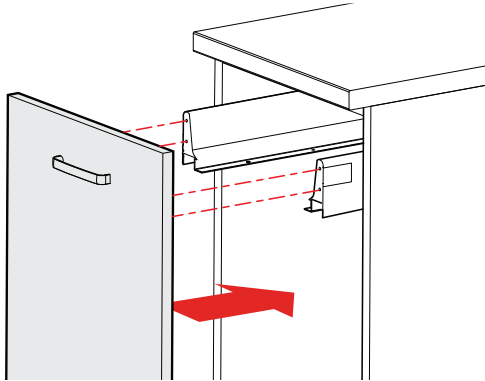
Measure the cabinet width (b), and the runner hole height (c), and spacing (d), mark on the door.

Step #4



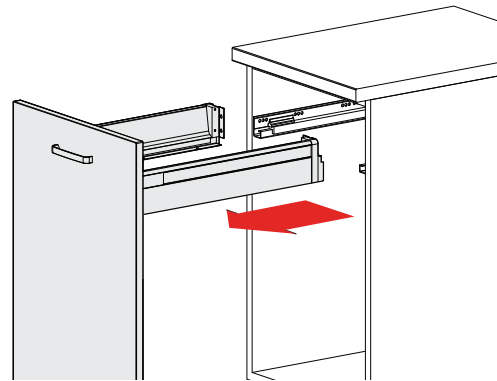
Measure the hole inset distance (e) and mark on the door.

Step #5



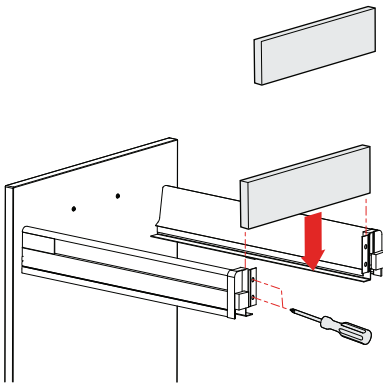
Mount door runner brackets to door and clip into the runners.

Step #6



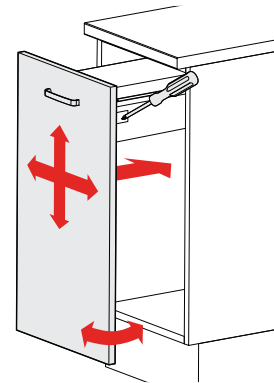
Remove drawer assembly.

Step #7



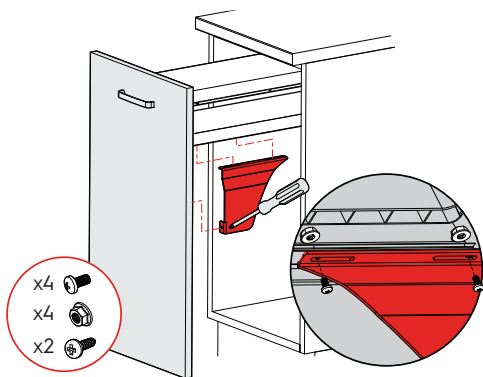
Install drawer back panel (refer to runner instructions for panel size, screws not supplied).

Step #8



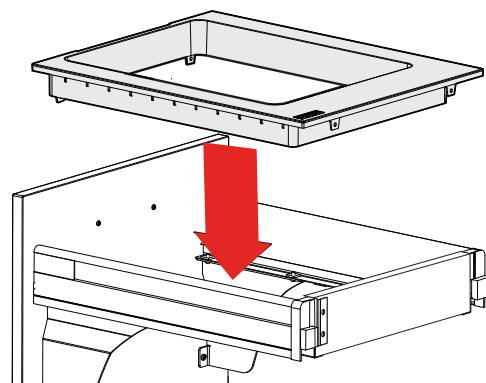
Re-install drawer assembly and adjust door.

Step #9



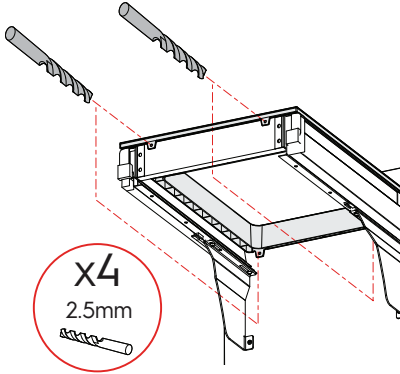
Attach door brackets.

Step #10



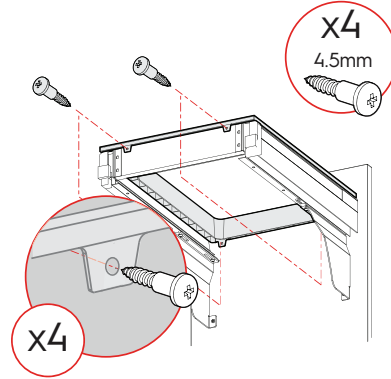
Install tray.

Step #11



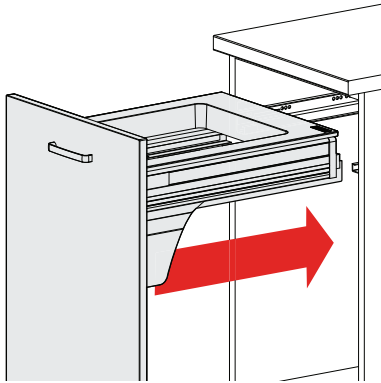
Centre tray, mark and drill holes.

Step #12



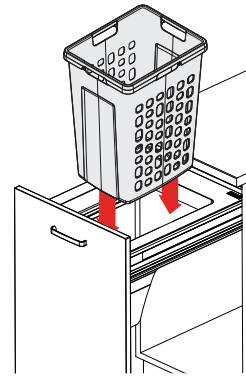
Attach tray with stepped screws.

Step #13



Re-install drawer.

Step #14



Insert laundry bin into tray.