

**M-Series Laundry Hamper**

**Product Features**

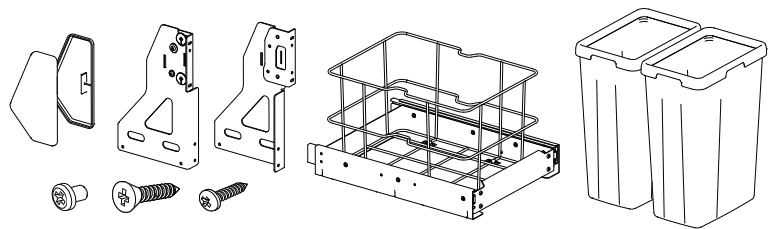


M-Series bottom-mount laundry hampers offer an attractive, full-extension pullout for convenient laundry storage. Available for 12", 15", and 18" door widths, M-series bottom-mount laundry hampers can be used with full height base cabinets or base cabinets with a top drawer. Featuring large storage bins with breathable designs and integrated handles, this laundry storage solution is perfect for reducing the hassle often associated with laundry day.

- Tailored for slab or shaker style doors with a nominal size of 12", 15" or 18"
- 6-way adjustable door bracket
- Can be installed on a full height door base cabinet or top-drawer base cabinet
- Easily removable baskets with breathable design and integrated handles
- Two baskets sizes: 35L or 48L
- Full size positioning template included
- Load capacity: 10 kg (22 lbs)

**What's In the Box - Bottom-mounted (041-LHW)**

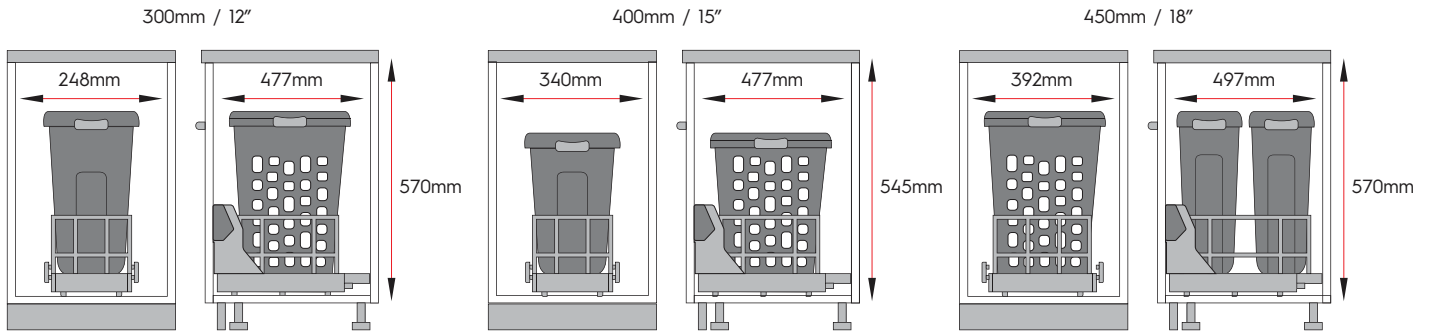
- Bin
- Tray
- Screws
- Rails
- Runners
- Brackets



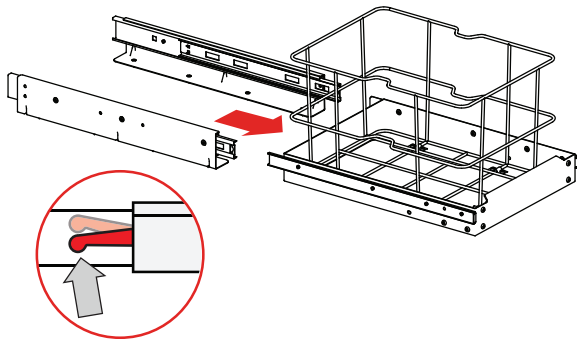
**M-Series Bottom-Mount Laundry Hamper Ordering Guide**

Part #	Cabinet Width	Capacity	W x H x D mm
04-LHW300-35S-W	300mm (12")	35L	248 x 570 x 477
04-LHW400-48S-W	400mm (15 ¾")	48L	340 x 545 x 477
04-LHW450-35S-WB	450mm (17 ¾")	35L	392 x 570 x 497

## M-Series Bottom-Mount Laundry Hamper Installation Dimensions

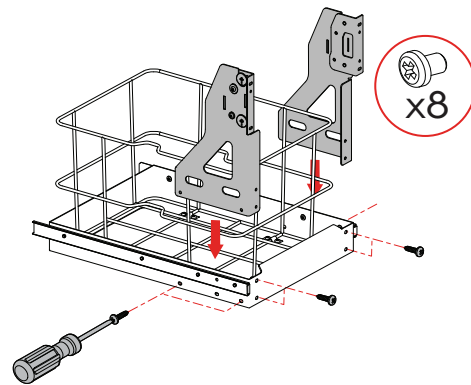


### Step #1



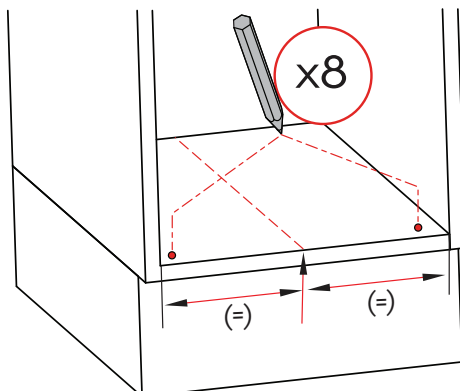
Separate runners from assembly using runner clips.

### Step #2



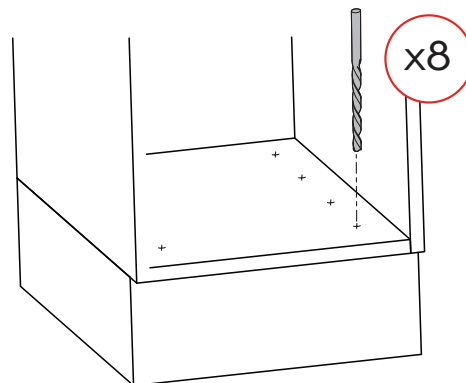
Attach door arms to the lower tray.

### Step #3



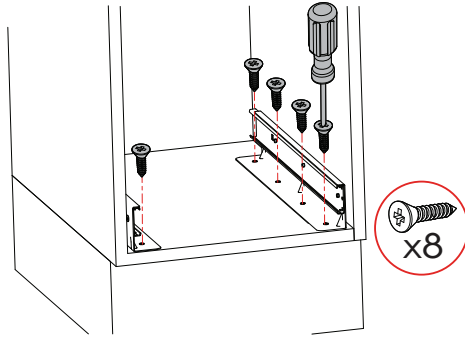
Measure centre of cabinet. Use template to mark bracket holes in bottom of cabinet.

### Step #4



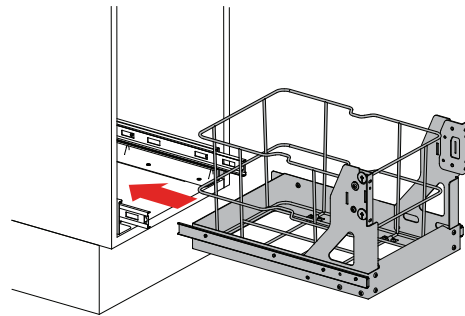
Drill bracket holes in bottom of cabinet.

### Step #5



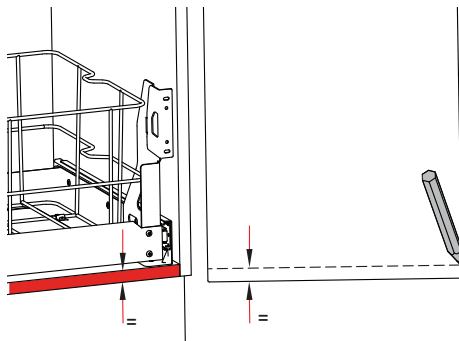
Screw brackets to bottom of cabinet.

### Step #6



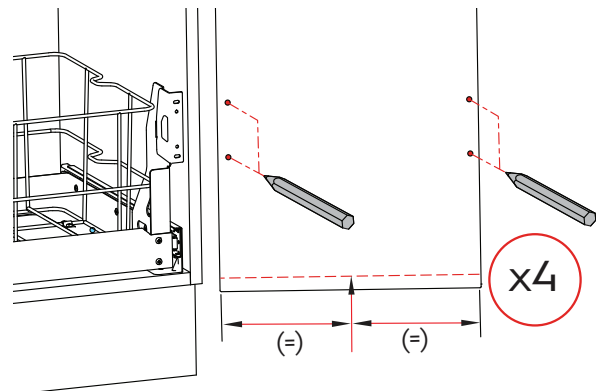
Slide the lower tray into runners. Makes click sound.

### Step #7



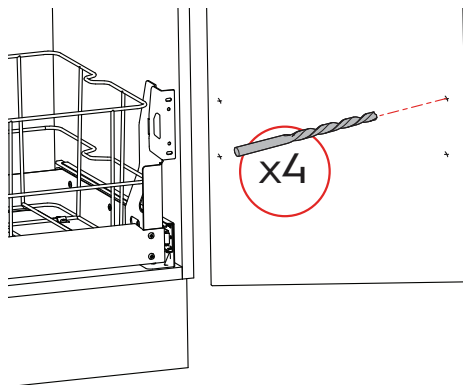
Measure the horizontal line from the bottom of the door.

### Step #8



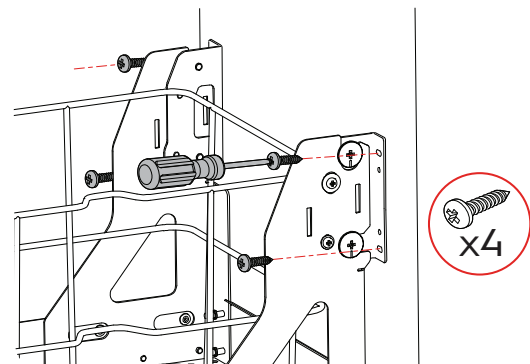
Measure centre of door. Use template to mark bracket holes on the door.

### Step #9



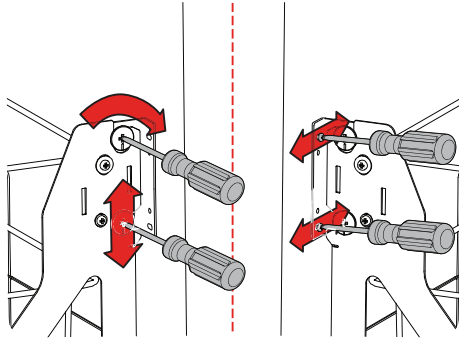
Drill bracket holes in cabinet door.

### Step #10



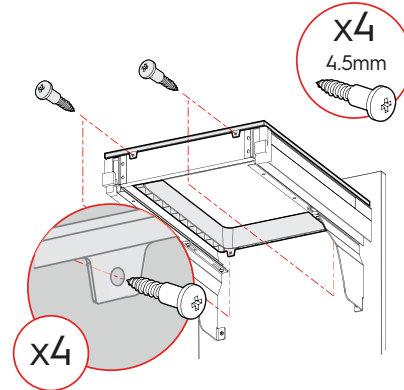
Screw door arms to cabinet using the centre slotted holes.

### Step #11



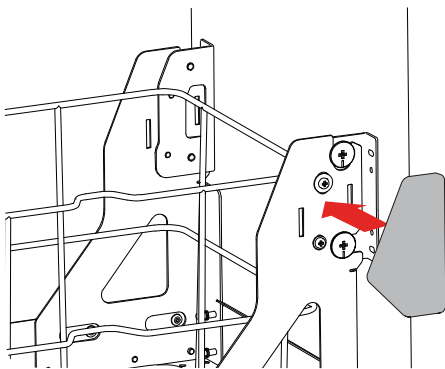
Make door tilt, height, and lateral adjustments.

### Step #12



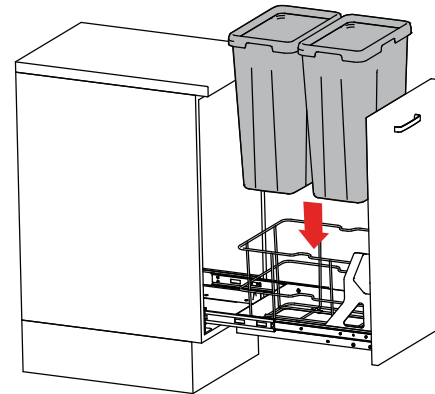
Screw door arms to cabinet using the fixed lock holes.

### Step #13



Install screw covers.

### Step #14



Install bin(s).