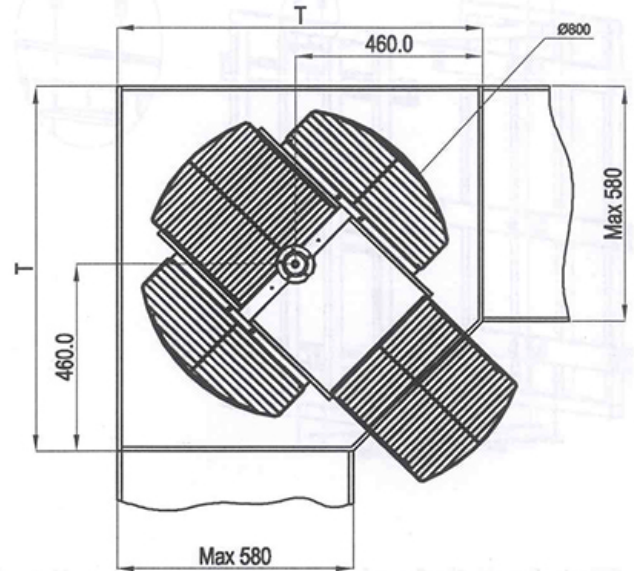
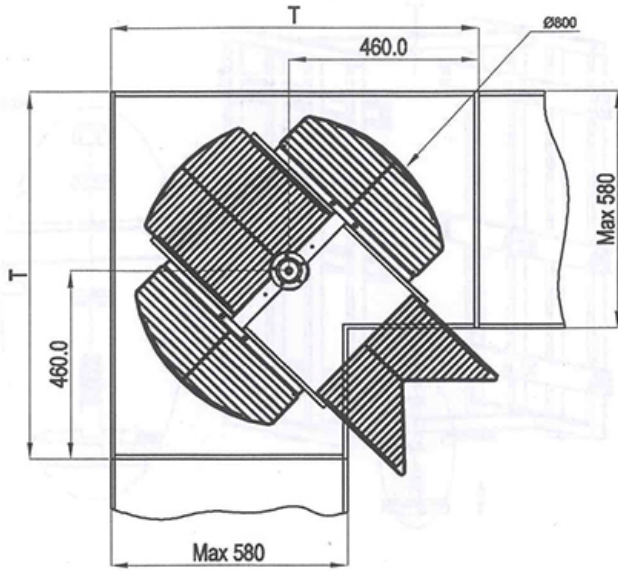


This instruction is fit for the following item numbers.

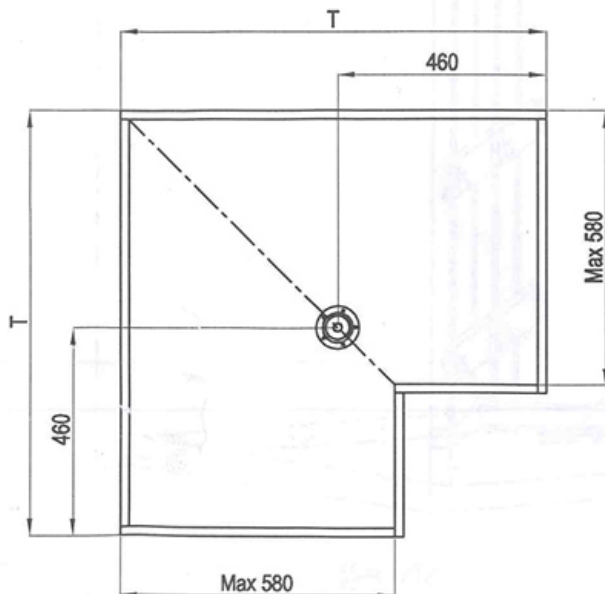
Name	T=Cabinet	Width*Depth*Height
270 revolve magic corner	900 mm	∅800*(650-750)
360 revolve magic corner	900 mm	∅800*(650-750)



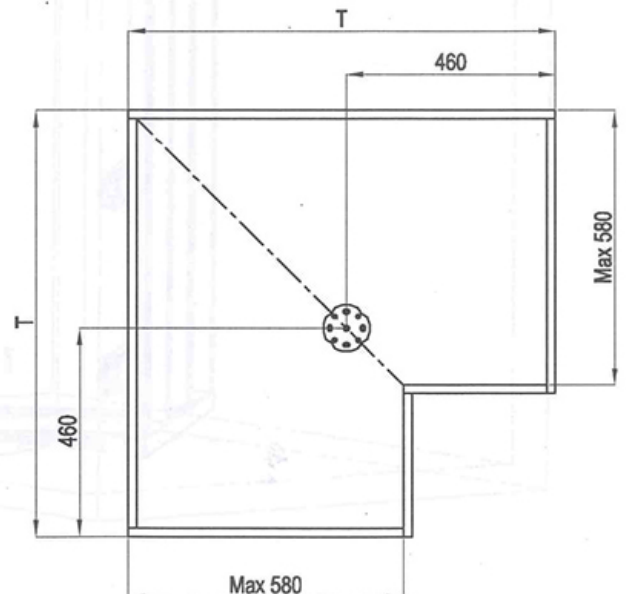
Description	Picture	Quantity
Up fixture		1
Below fixture		1
Axletree		2
Screw		1
ST3.5*25 tapping screw		4
ST3.5*16 tapping screw		5

Step 1: As the size revealed in the picture below, drill 9 small holes ∅3.0mm respectively on top cabinet panel and bottom cabinet panel.

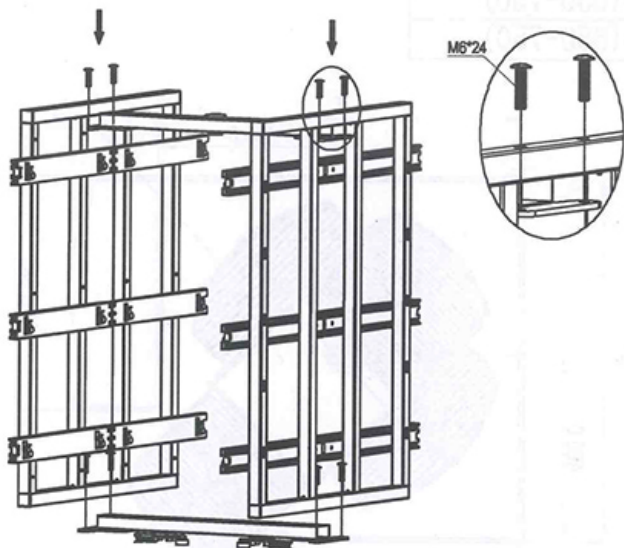
Top cabinet panel



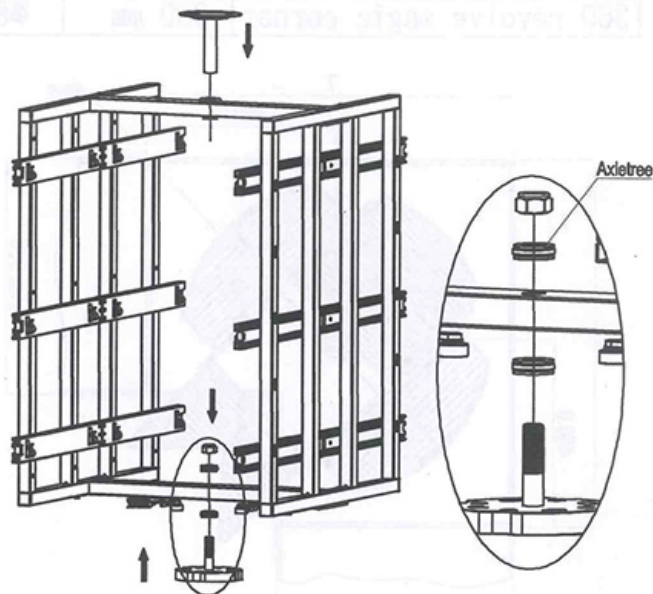
Bottom cabinet panel



Step 2: Connet side frames with central bar by 4pcs screw.



Step 3: Install the up and down fastness into the hole of the joint tubes, and fasten the down fastness with screws.



Step 4: Install the frame into the cabinet, and use the self-tapping screws to fix the up and down fastneww to the cabinet board.

