

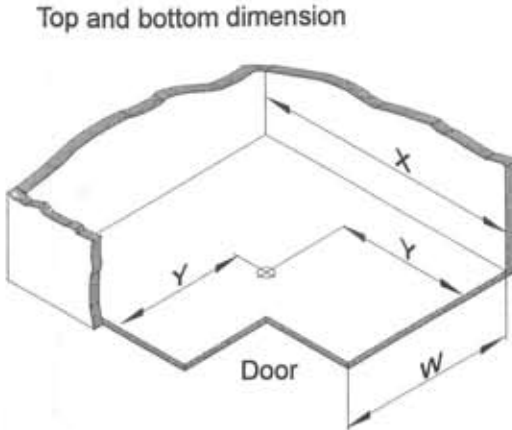
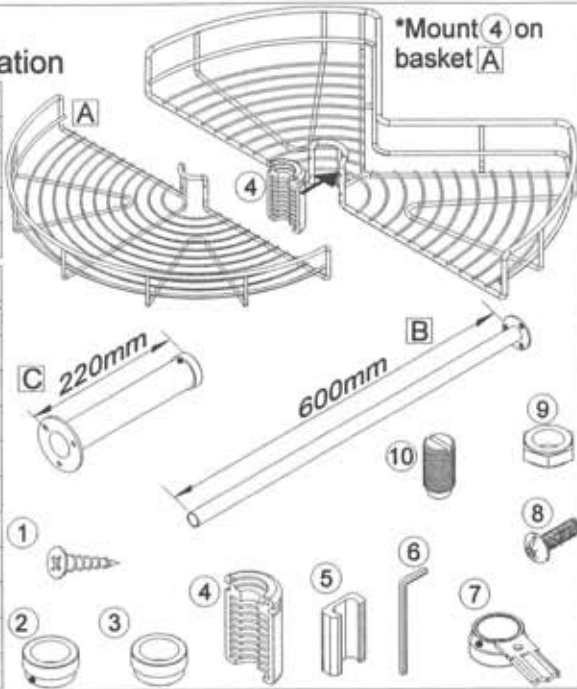
ITEM NO. MG170/MG180  
270° Pie cut Organizer Installation

**PANELS LIST**

Description	QTY
A 270° Pie cut basket	2
B Tube	1
C Top kit	1

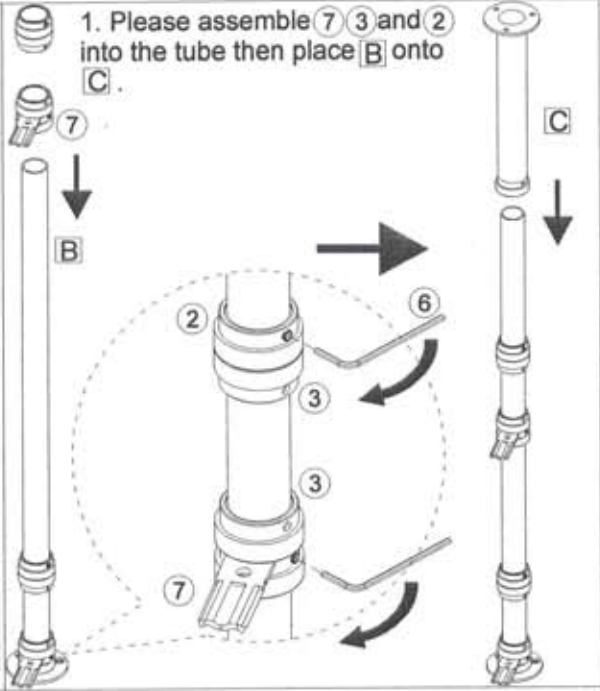
**FITTINGS LIST**

Description	QTY
1 Wood Screw	6
2 Support rings with screw	2
3 Plastic rings	4
4 Basket Holder	4
5 Plastic fastener	4
6 6-sides wrench	2
7 Connector bolt	2
8 Screw	8
9 Nuts	2
10 Ball plunger	2

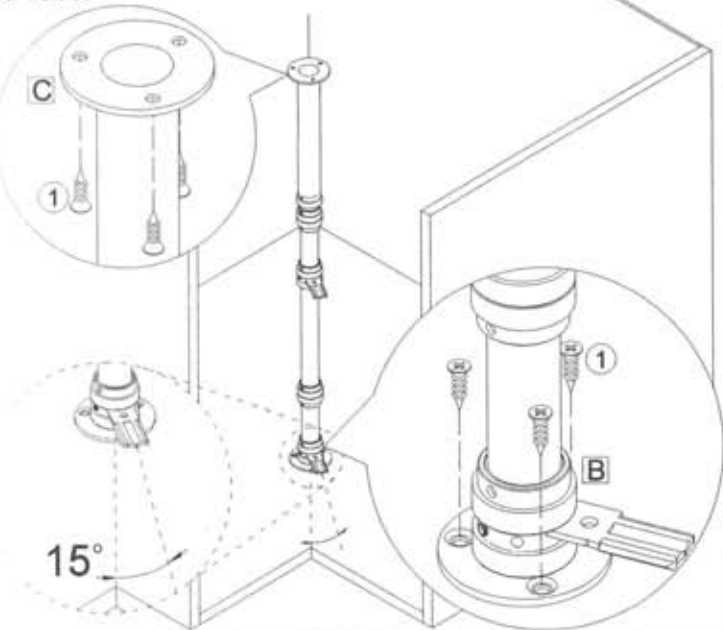


Unit: mm

Ltem No.	W	X	Y
MG170	550	800	400
MG180	550	900	450



2. According to the top and bottom dimension, mount the Top Kit and Tube.



3. Clip A onto 3 then mount 2 basket A with 5. Adjust 8 to control the swivel speed. Mount 9 and 10 on basket A.

