

**M-Series Wood Lazy Susan**



**Product Features**

Elevate your kitchen's organization with M-Series Kidney Shaped Wood Lazy Susans.

The kit version for corner base cabinets features independently rotating shelves on an adjustable telescoping center pole. The shelf version for base corner cabinets consists of a solid shelf mounted on a pre-installed swivel base for attachment to a cabinet bottom or stationary shelf mounted within the cabinet.

The beautiful birch construction exudes timeless durability. With its built-in memory stop, the Lazy Susan ensures a consistent, tidy look every time, making it a must-have for a polished and efficient kitchen.

- Two shelf sizes: 28 inch and 32 inch
- Shelves are made of 5/8" UV finished birch plywood with a solid birch finger-jointed rim
- Memory stop feature to ensure shelves return to original position
- Twist and lock telescoping adjustable height pole (Kit Version)
- Pre-installed aluminum swivel base (Shelf Version)
- Load capacity: 20lbs / square foot
- Meets ANSI/BHMA A156.9-2003 - American National Standard for Cabinet Hardware - test 4.12. Grade 1

**What's In the Box**

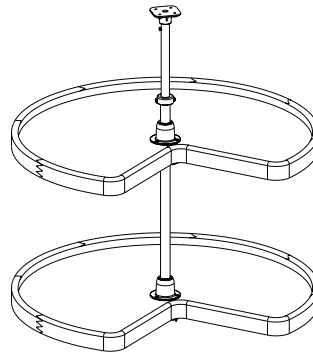
**Kit Version**

- #8 x 3/4" Flat Head Phillips Wood Screw x4
- #8 x 5/8" Pan Head Phillips Wood Screw x4
- #8 x 1/2" Flat Head Machine Screw x6
- Telescoping Twist & Lock Pole Assembly
- Kidney Shelf x2
- Shelf Support x2
- Shelf Hub x2
- Shelf Hub Cone x2
- Top Mounting Support

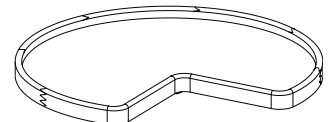
**Shelf Version**

- Shelf with factory pre-installed swivel

**Kit Version**



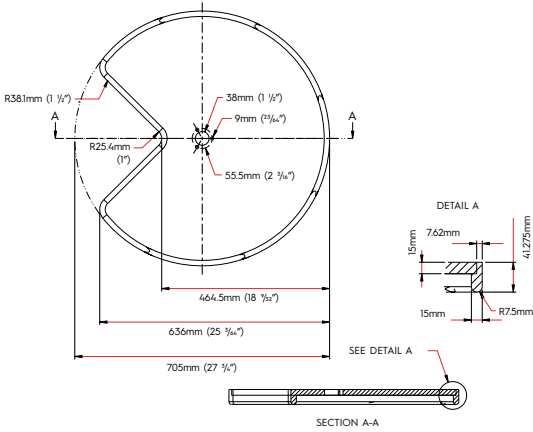
**Shelf Version**



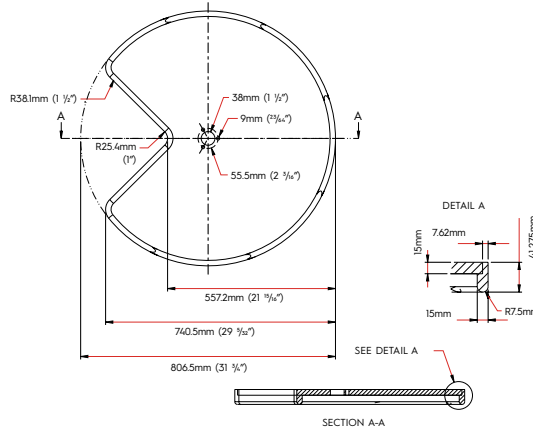
**Ordering Guide**

Description	Width	Part#
M-Series Wood Lazy Susan	711mm (28")	04-1528-BIR
M-Series Wood Lazy Susan	813mm (32")	04-1532-BIR
M-Series Wood Lazy Susan Shelf	711mm (28")	04-1550-BIR
M-Series Wood Lazy Susan Shelf	813mm (32")	04-1551-BIR

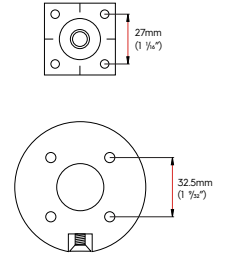
### 04-1528-BIR Dimensions



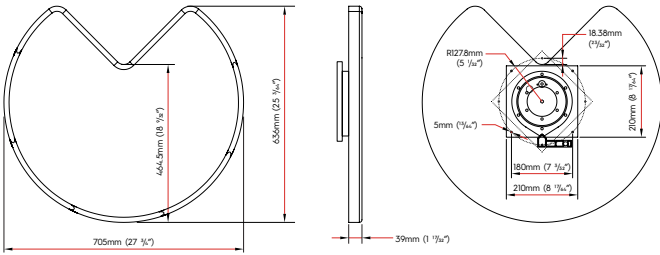
### 04-1532-BIR Dimensions



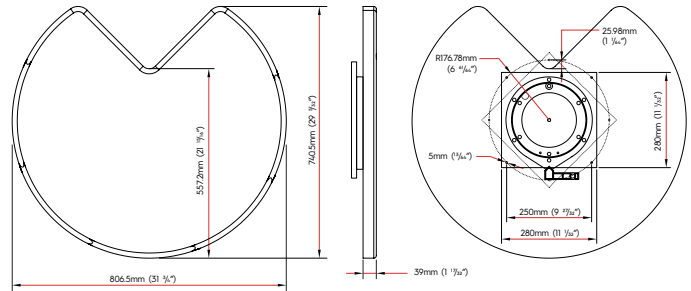
### Support Dimensions



### 04-1550-BIR Dimensions



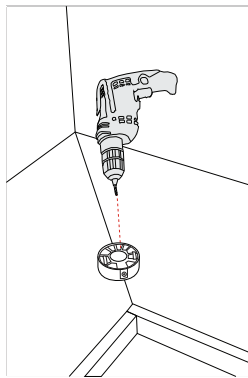
### 04-1551-BIR Dimensions



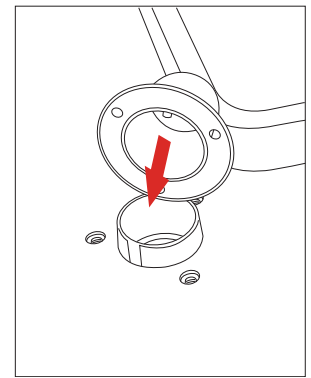
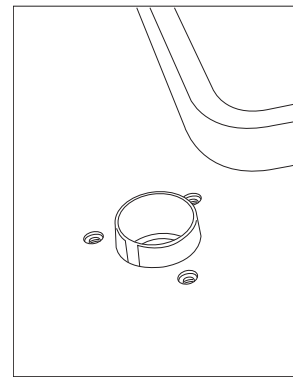
### Kit Version Installation Step #1 Measure and Mount Supports

### Step #2 Install Hubs

Mark layout for lower mounting support by placing a shelf in the cabinet. Center the shelf on the bottom of the cabinet making sure you have proper clearance from cabinet walls and door. Mark the mounting location by tracing around the hole in the middle of the shelf. Measure the center of the bottom mounting location and transfer to the top of the cabinet. Align Top Mounting Support with center detent marks and install with four (4) - #8 x 5/8" Pan Head Phillips Wood Screws. Place one (1) Shelf Support on the lower marks and secure with four (4) - #8 x 3/4" Flat Head Phillips Wood Screws to the bottom of the cabinet as shown (align set screw as shown for proper shelf orientation).

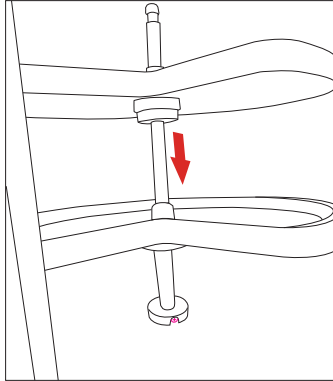


Insert one Shelf Hub through the bottom of a shelf as shown, making sure the groove in the hub is opposite of the kidney cut out in the shelf. Place one Shelf Hub Cone on the top of the shelf and fasten using (3) #8 x 1/2" Flat Head Machine Screws provided. NOTE: Make sure the rib inside the Shelf Hub Cone is aligned with the groove in the hub (see picture). Repeat with second shelf.



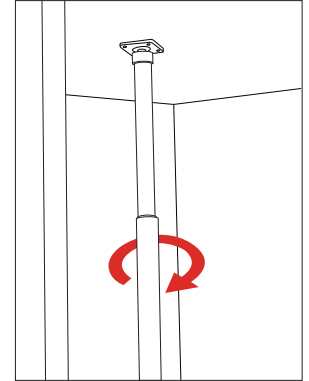
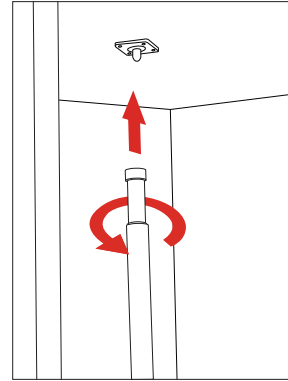
### Step #3 Shelf Assembly

Slide the bottom shelf onto the pole assembly from the top. Then, add the top shelf support. Lastly, slide the top shelf into place. Slide bottom of Pole Assembly into the Bottom Mounting Support.



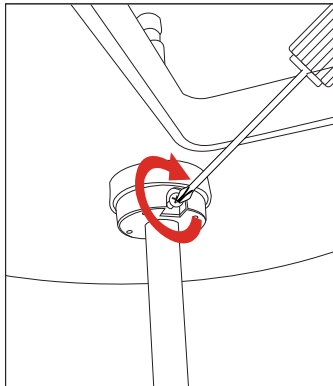
### Step #4 Pole Extension

Holding onto the lower pole, twist the upper pole counter-clockwise to release. Extend pole upwards until it rests firmly against the Top Mounting Support and tighten by turning the upper pole clockwise.

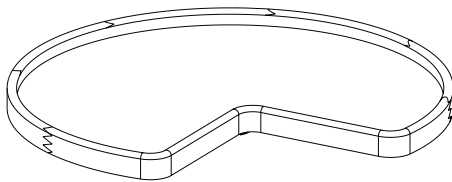


### Step #5 Shelf Adjustment

Raise upper shelf to desired height and tighten the Locking Set Screw. Align the upper shelf kidney cut-out in its proper position by turning the pole, then raise the lower shelf and tighten the lower Locking Set Screw.



### Shelf Version Installation



1. To place the shelf in the correct position, ensure that the pie cut out section of the shelf is aligned with the pie shaped opening of the cabinet.
2. Hold the shelf in place and rotate approx. 45 degrees. Secure the first corner of the base plate by driving a screw through the small pre-drilled hole in the base plate, and into the bottom of the cabinet.
3. Rotate the shelf 90 degrees and secure the next corner through the pre-drilled hole in the base plate. Repeat for the two remaining holes.