

# Galaxy Kidney Lazy Susan

## Technical Specifications & Assembly

### Galaxy Kidney Lazy Susan



### Product Features

From Vibo's Galaxy Collection comes the kidney (three-quarter) shaped Lazy Susan which is subtly attractive, durable, and easy to clean. Available in Anthracite Dark Grey finish and the White/Chrome and Maple/Champagne finishes. Height adjustable shelves are easy to install with "fast block fittings".

- Ideal for 45 degree corner cabinets
- Available in 450, 715 and 815mm (18", 28" and 32")
- Anti-slip melamine bottom which is TSCA Title VI compliant
- Load Capacity: 17kg (37lbs) per shelf for 18" & 28" size 21kg (46lbs) per shelf for 32" size

### Adjustable Height Metal Post, Chrome

#### Description

645 - 720mm (25 3/8" - 28 3/8")

#### Part#

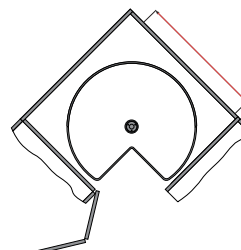
041-VSQT5002C

### Baskets set of 2 including Fast-Block fittings

Description	Finish	Part#
∅ x H 715 x 645 - 720mm (28 1/8" x 25 3/8" - 28 3/8")	Anthracite Dark Grey	041-VGLQ734-AG
∅ x H 715 x 645 - 720mm (28 1/8" x 25 3/8" - 28 3/8")	White & Chrome	041-VGLQ734-WHC
∅ x H 715 x 645 - 720mm (28 1/8" x 25 3/8" - 28 3/8")	Champagne/Maple	041-VGLQ734-VCH
∅ x H 715 x 645 - 720mm (28 1/8" x 25 3/8" - 28 3/8")	Chrome	041-VGLQ734-C
∅ x H 815 x 645 - 720mm (32 1/16" x 25 3/8" - 28 3/8")	Anthracite Dark Grey	041-VGLQ834-AG
∅ x H 815 x 645 - 720mm (32 1/16" x 25 3/8" - 28 3/8")	White & Chrome	041-VGLQ834-WHC
∅ x H 815 x 645 - 720mm (32 1/16" x 25 3/8" - 28 3/8")	Champagne/Maple	041-VGLQ834-VCH
∅ x H 815 x 645 - 720mm (32 1/16" x 25 3/8" - 28 3/8")	Chrome	041-VGLQ834-C

### Minimum Interior Cabinet Dimensions

- ∅ x H 715 x 645 - 720mm (28 1/8" x 25 3/8" - 28 3/8")
- ∅ x H 815 x 645 - 720mm (32 1/16" x 25 3/8" - 28 3/8")

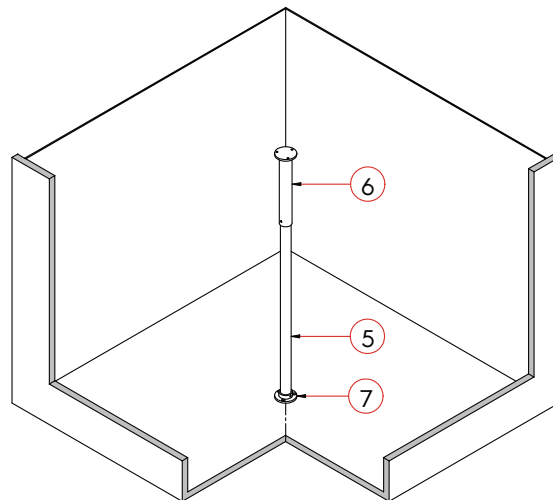
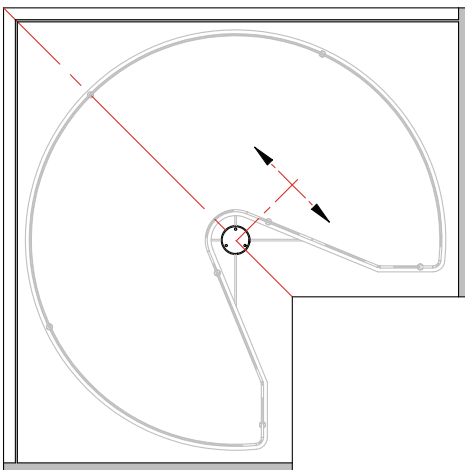




### What's In The Box

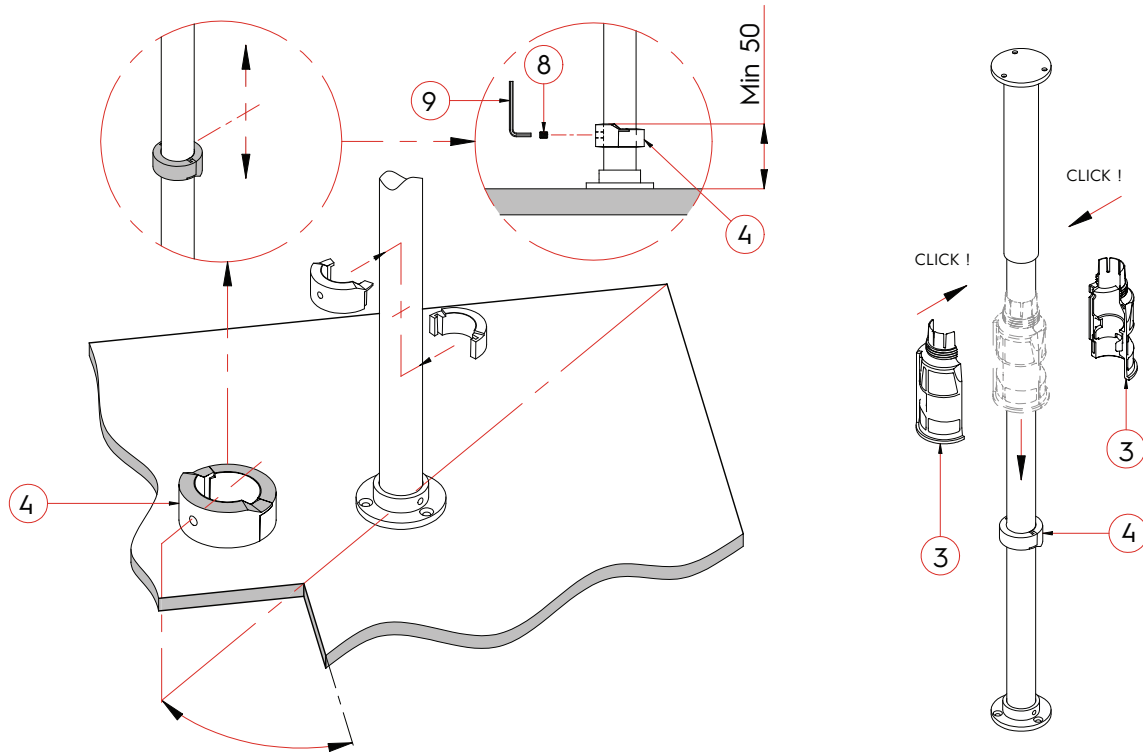
- |       |        |        |       |
|-------|--------|--------|-------|
| 1. x2 | 2. x2  | 3. x2  | 4. x2 |
|       |        |        |       |
| 5. x1 | 6. x1  | 7. x1  | 8. x5 |
|       |        |        |       |
| 9. x2 | 10. x1 | 11. x2 |       |
|       |        |        |       |

### Step #1





### Step #2



### Step #3

