

Small Side Mount



Product Features

Door Mounted Filler Pullout that features a reversible composite bottom finished in both dark grey and white to better coordinate with your interior cabinet colours.

- Multiple widths available: 200mm (8" or 9") and 300mm (12")
- Universal, can be installed on either left or right side
- New updated product replaces handed previous generation
- Reversible two colour bottoms
- 2 level storage baskets
- Soft-close slides
- Load capacity: 20kg (44lbs)

Reversible Bottom Pullout Kit for 200mm (8 or 9") cabinets

Description

Part#

W x H x D 164 x 560 x 484mm (6 ½ x 22 ¼ x 19 ¼")

041-FA120-GW

Reversible Bottom Pullout Kit for 300mm (12") cabinets

Description

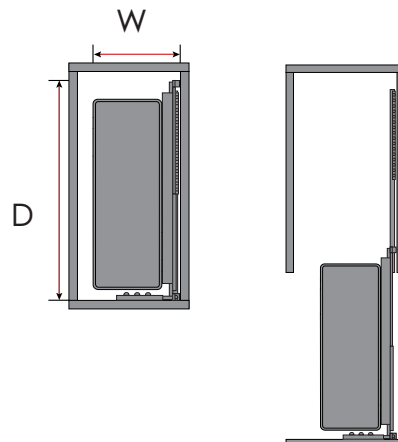
Part#

W x H x D 264 x 560 x 484mm (10 ⅜ x 22 ¼ x 19 ¼")

041-FA130-GW

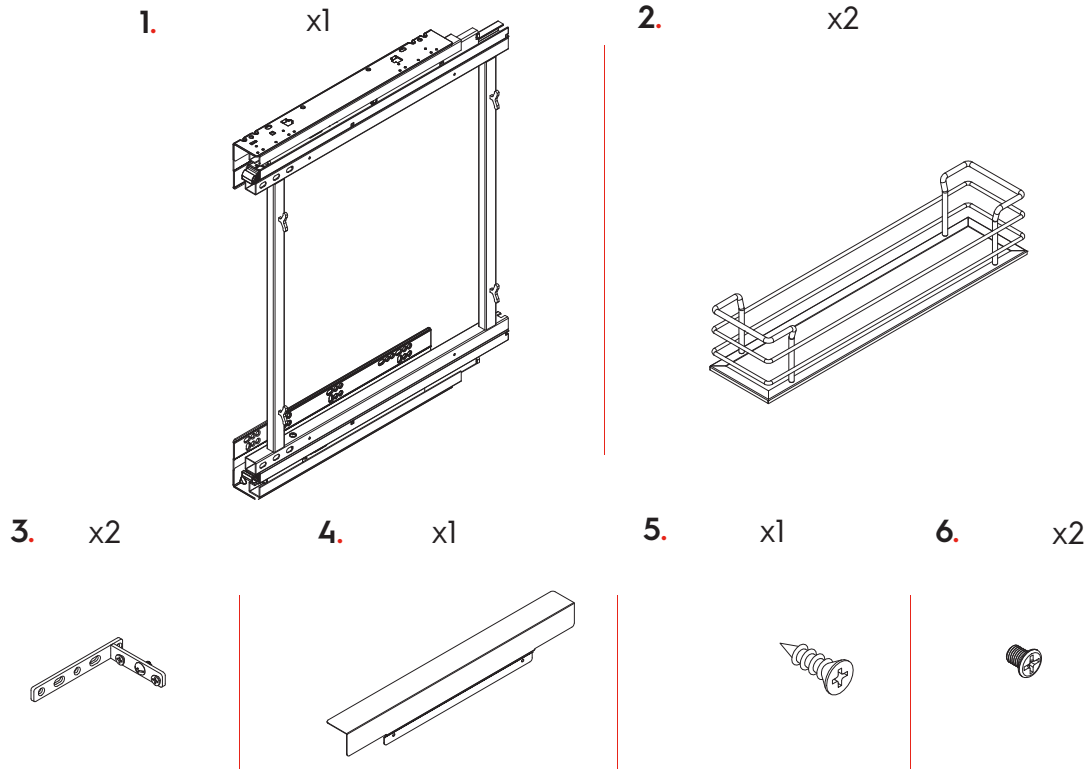
Minimum Interior Cabinet Dimensions

W x H x D



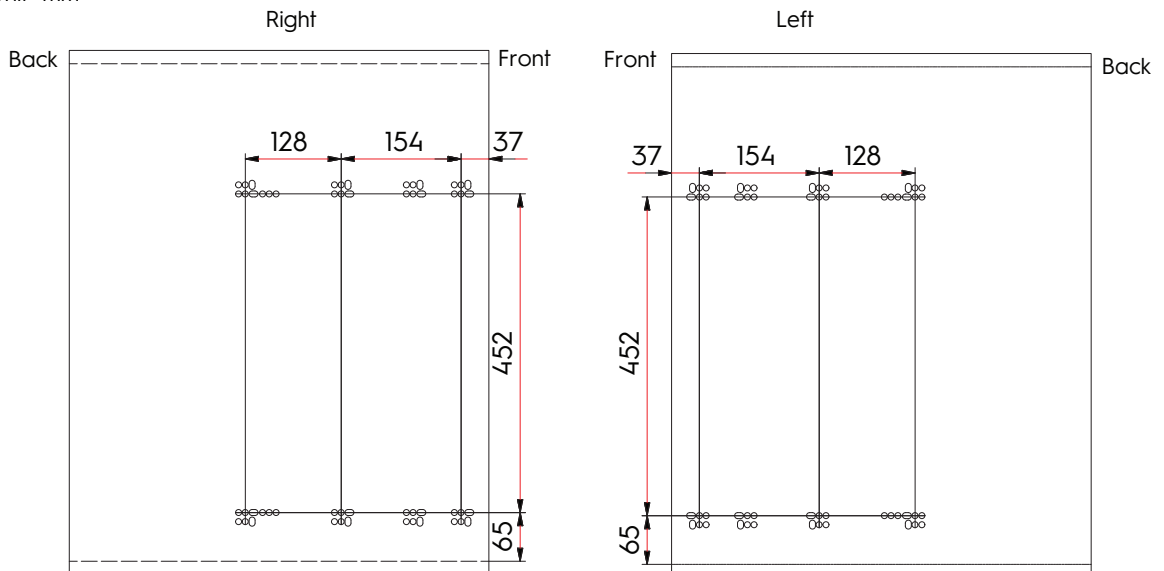


What's In The Box



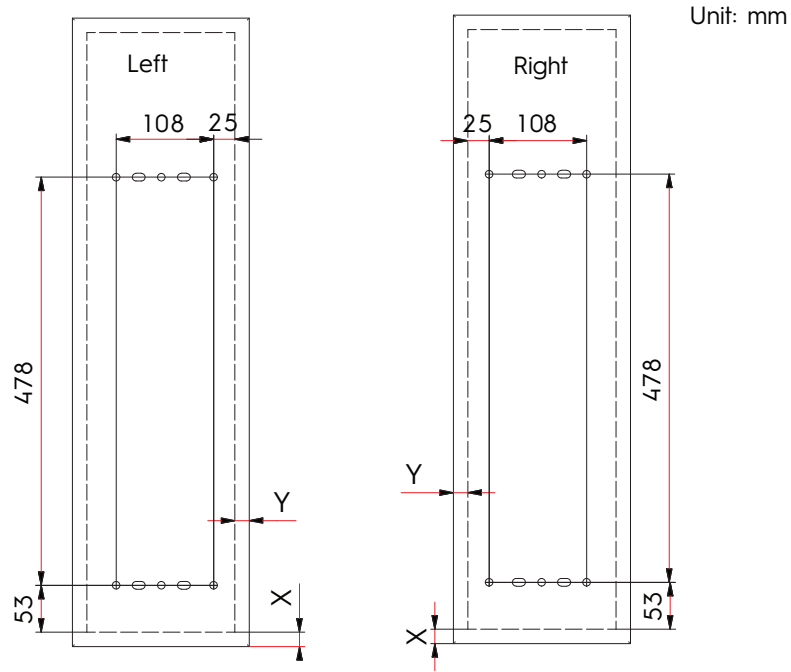
Side Board Template

Unit: mm

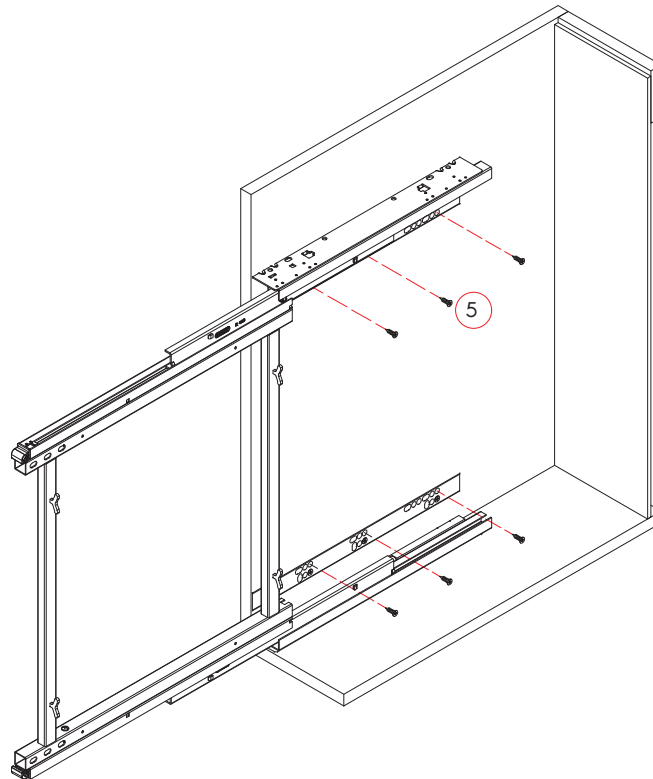




Door Panel Template

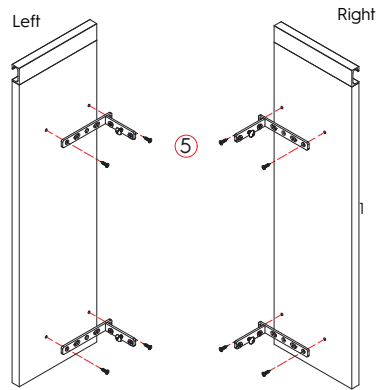


Slide Installation

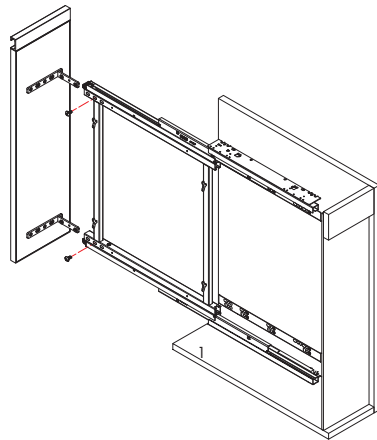




Door Panel Template



Door Bracket Installation



Slide Cover Installation

