

Bottom Mounted Pull-out

Product Features



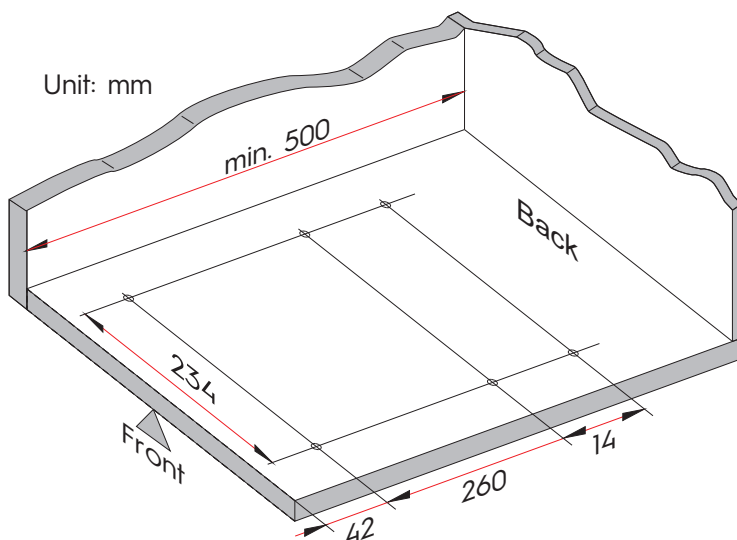
This Bottom Mounted Pullout with concealed undermount soft-close slides is a good fit for undersink or base cabinets. Cutting board holder included.

- Required interior width of 270mm (10 5/8") for opening
- Door Mount not available
- Available for hinged door only
- Load capacity: 15kg (33lbs)
- Soft-Close

Bottom Mount Pull-out, complete kit

| Description | Part# |
|---|-------------|
| W x H x D 267 x 423 x 484mm (10 1/2 x 16 1/16 x 19 1/16") | 041-FLI00-C |

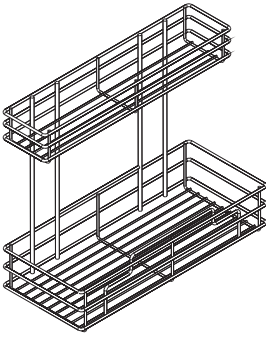
Bottom Dimensions



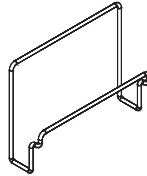


What's In The Box

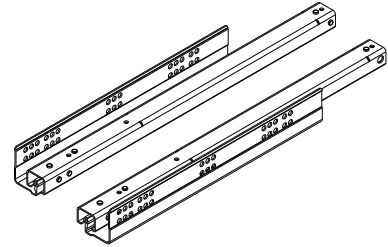
1. x1



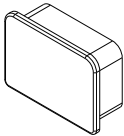
2. x1



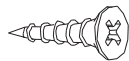
3. x1



4. x2



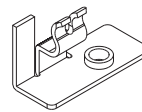
5. x8



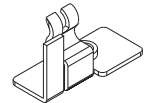
6. x4



7. x2

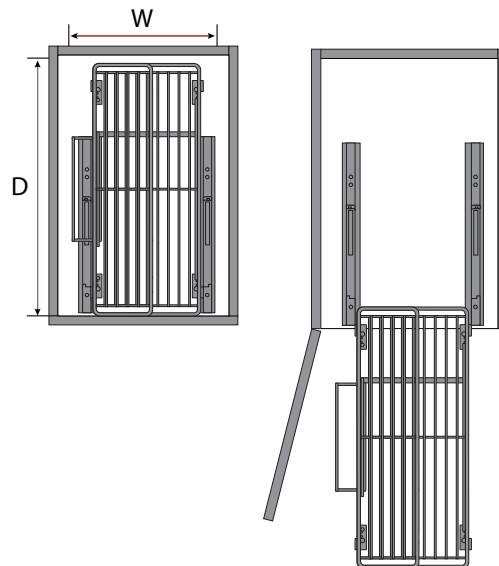


8. x2



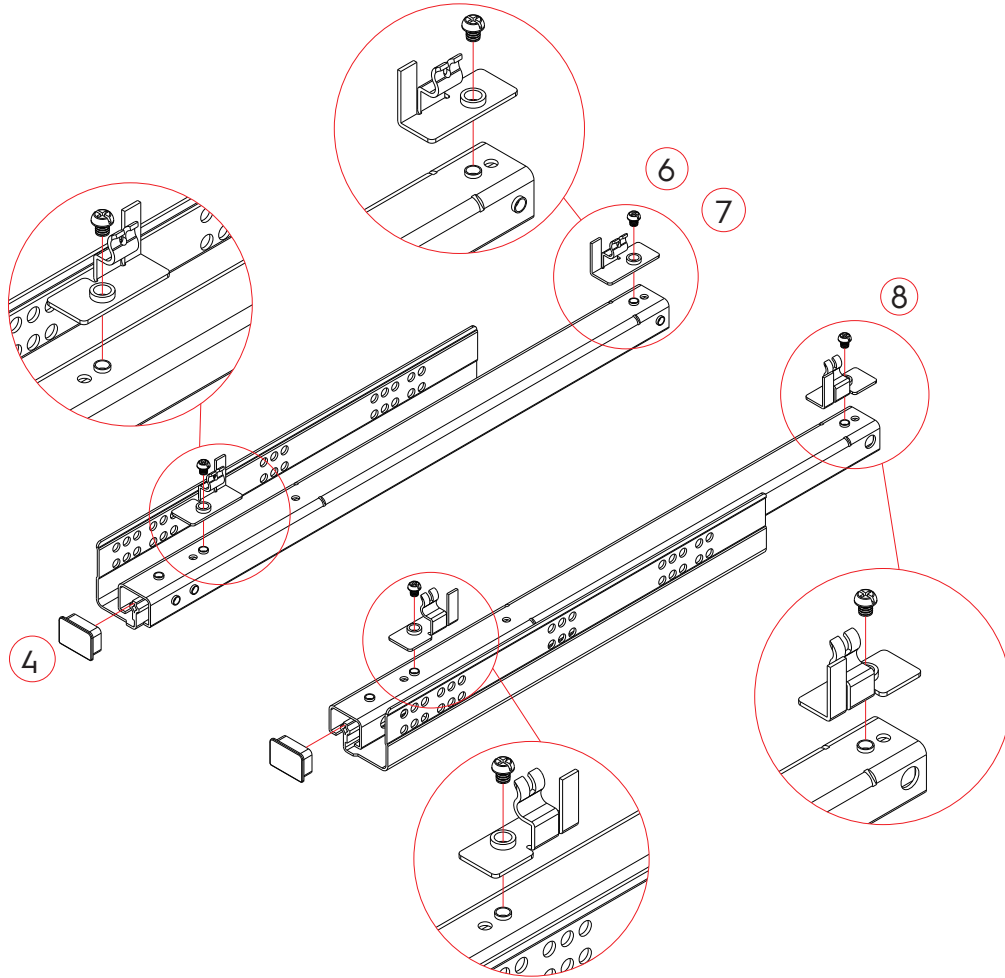
Minimum Interior Cabinet Dimensions

W x H x D 267 x 423 x 484mm (10 1/2 x 16 1/16 x 19 1/16")

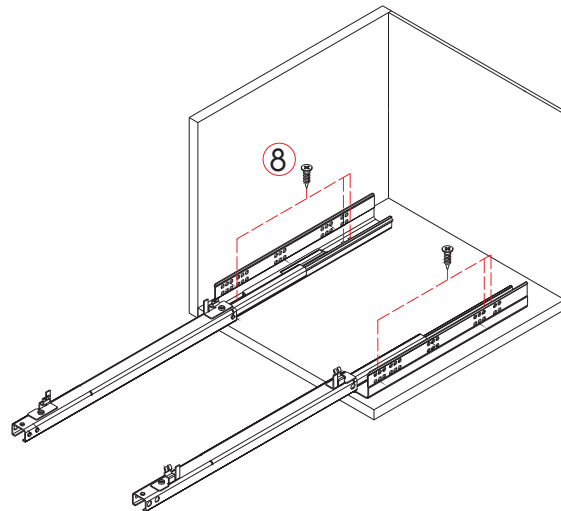




Slide Installation

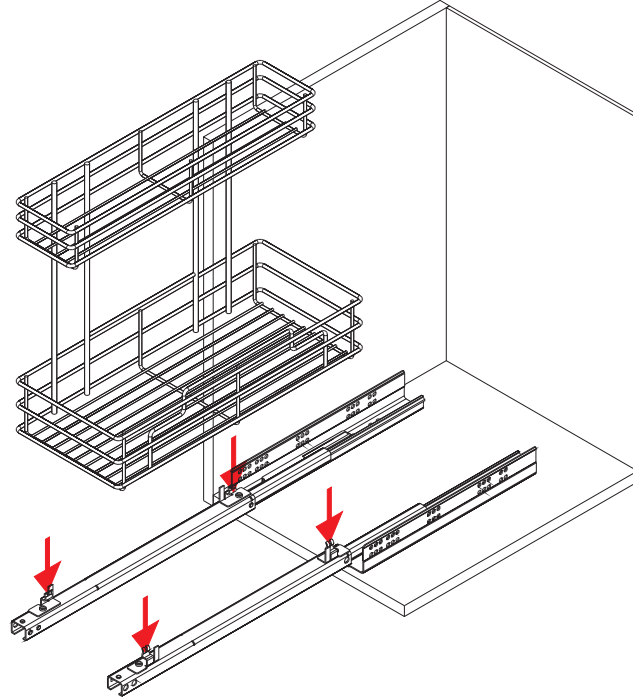


Frame Installation





Basket Installation



Board Holder Installation

