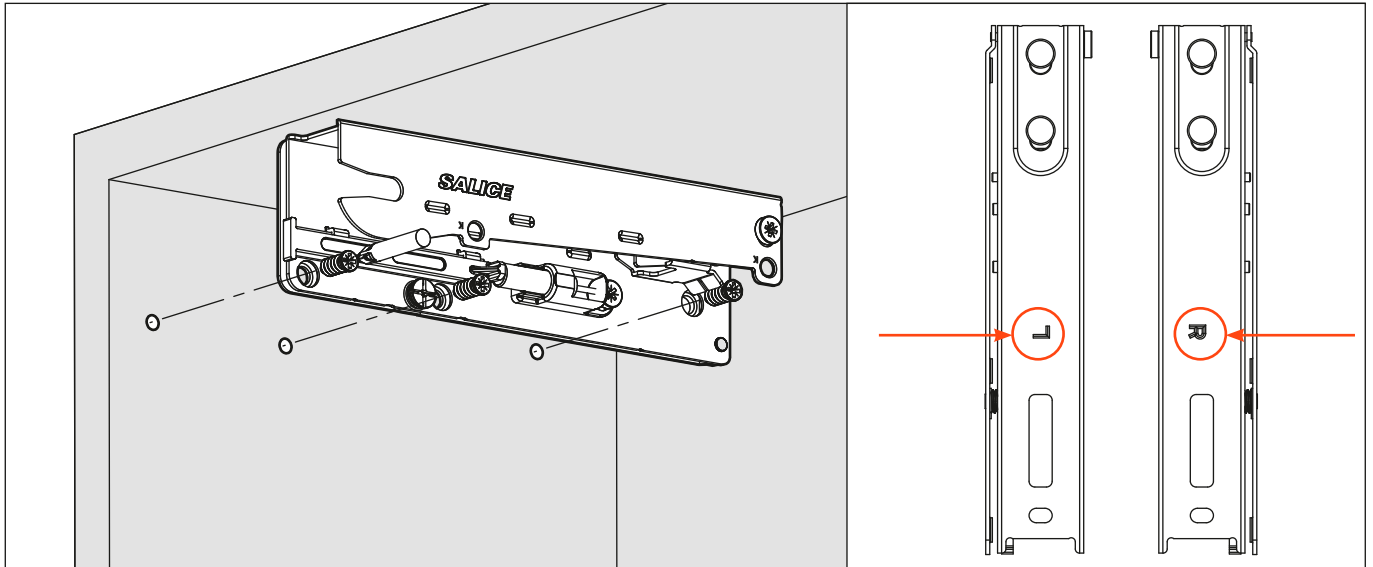
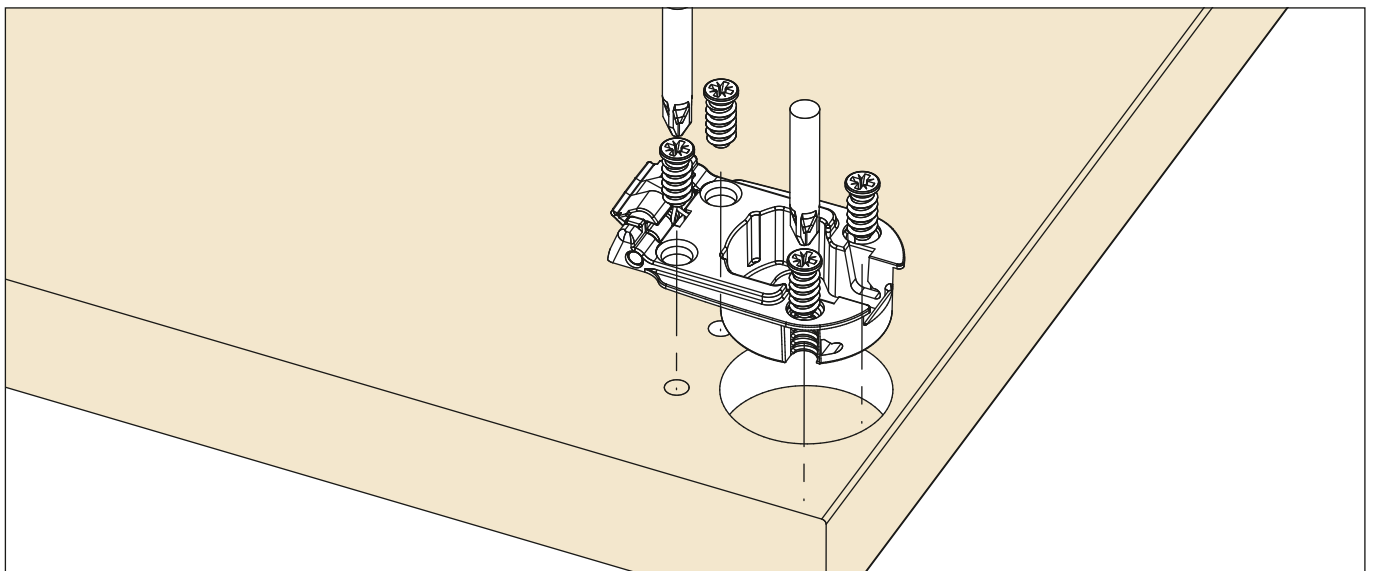


Fixing the plates to the cabinet sides

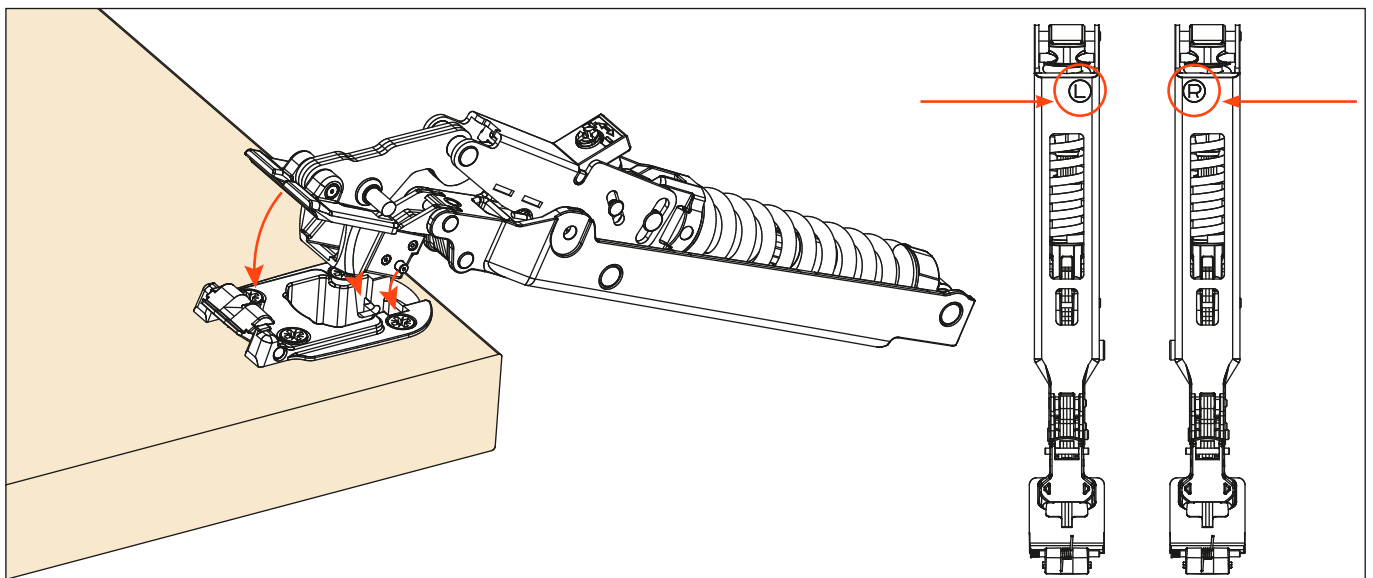


Fixing the cups to the door



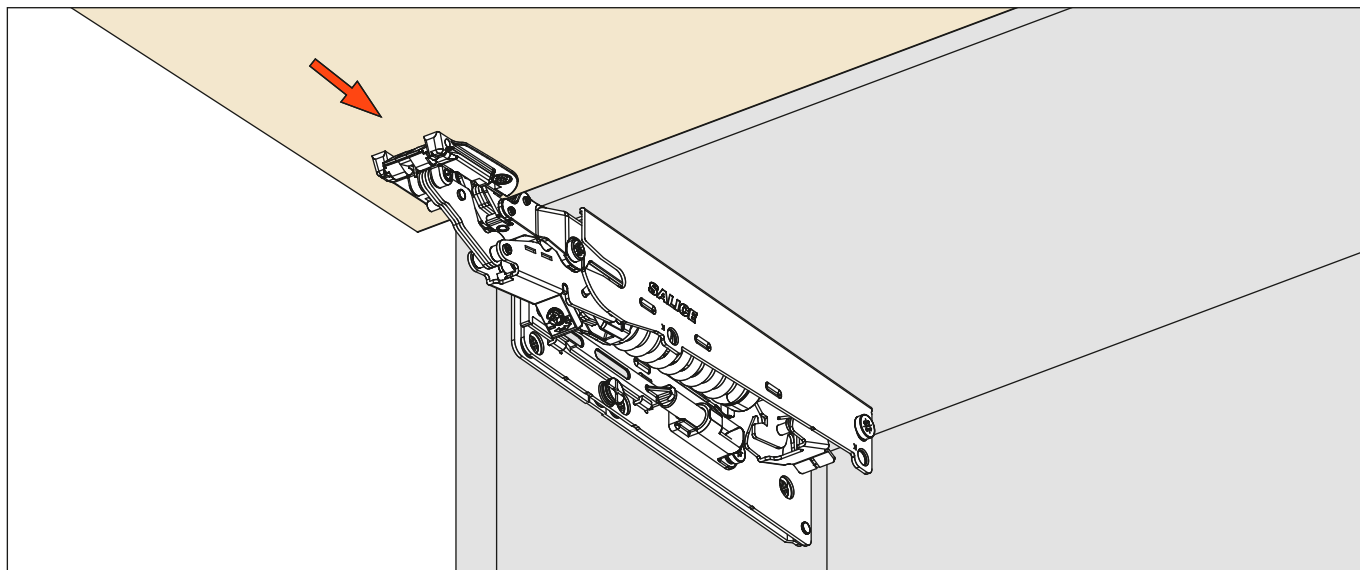
Deploying the system to the cups

Connecting the system to the cups. This operation is tool free.

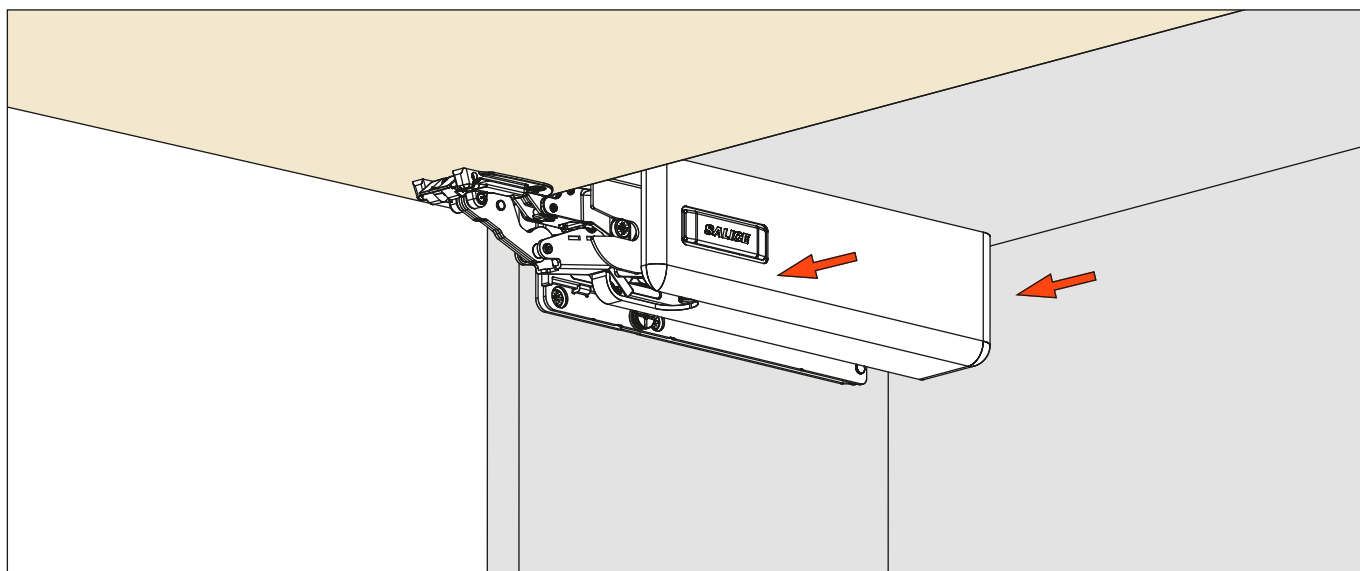


Installing the system to the plates

Installing the system till the back fixing. This operation is tool free.



Installing the covers

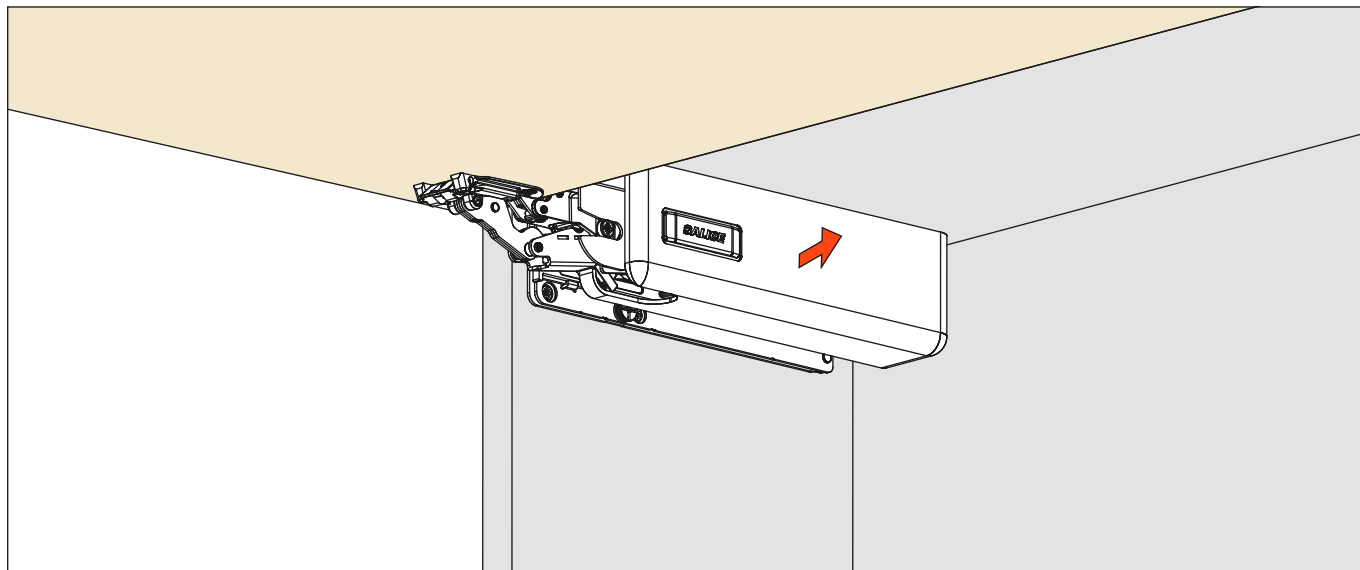


WARNING ! Security cable ties

Remove the cable ties only at the end of the assembly.
Use the instructions and the QR Code attached to the systems.

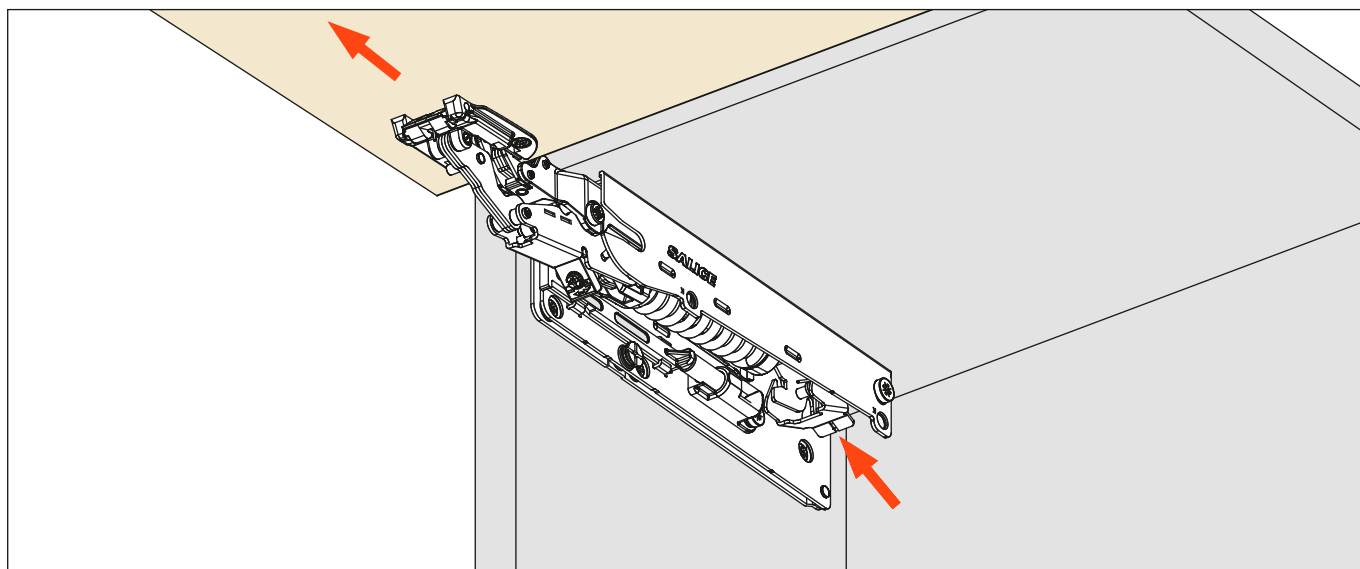


Removal of the covers



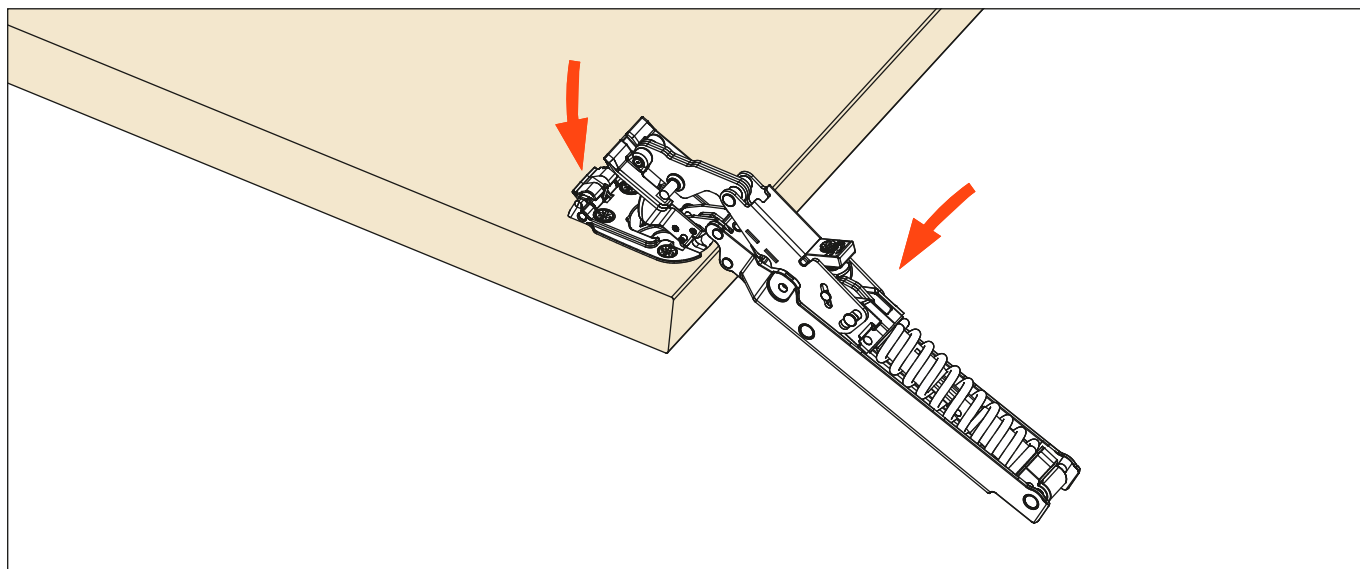
Disassembly of the system

Press the back lever and pull out the system. This operation is tool free.



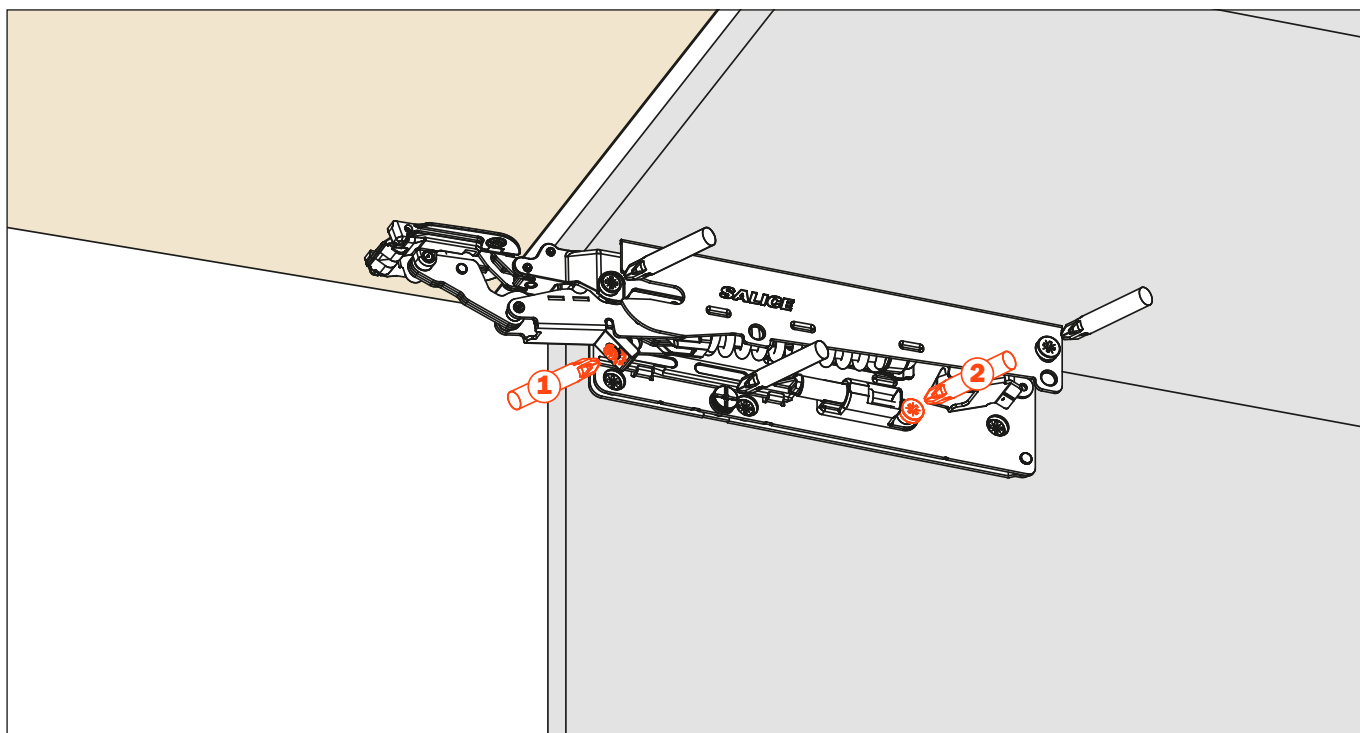
Unfasten the system from the cups

Disconnecting the system from the cups. This operation is tool free.



1 - adjustment of the spring strength

2 - adjustment of the decelerating effect



3 - height adjustment of the door from - 2 to +2

4 - sideways adjustment of the door from - 2 to +2

5 - depth adjustment of the door from - 1 to +3

