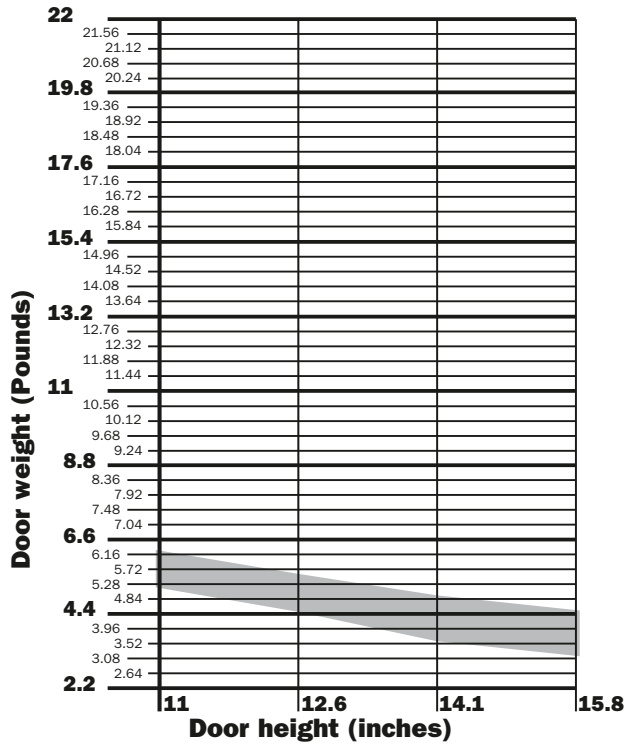


PACTA - Door weight / Height Tables

Use the charts to determine the correct Smove based on the door height and the door weight. The maximum door width for two Pacta with a center hinge is 48"/1200mm.

Note: Pacta can be used on doors that are larger or heavier by adding additional Pacta and center hinges to the cabinet and door. For all applications requiring more than two Pacta, this must be checked by Salice's technical department. Please consult with your local sales representative or contact technical service.

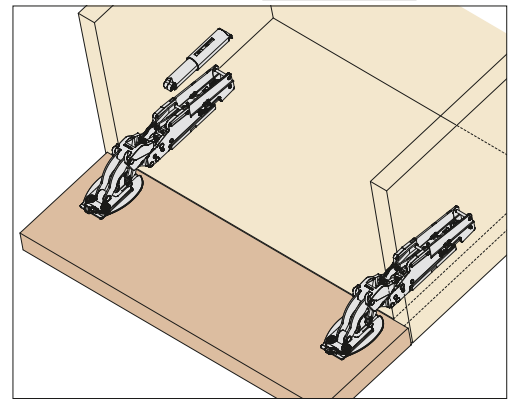
DRBWXXYXI



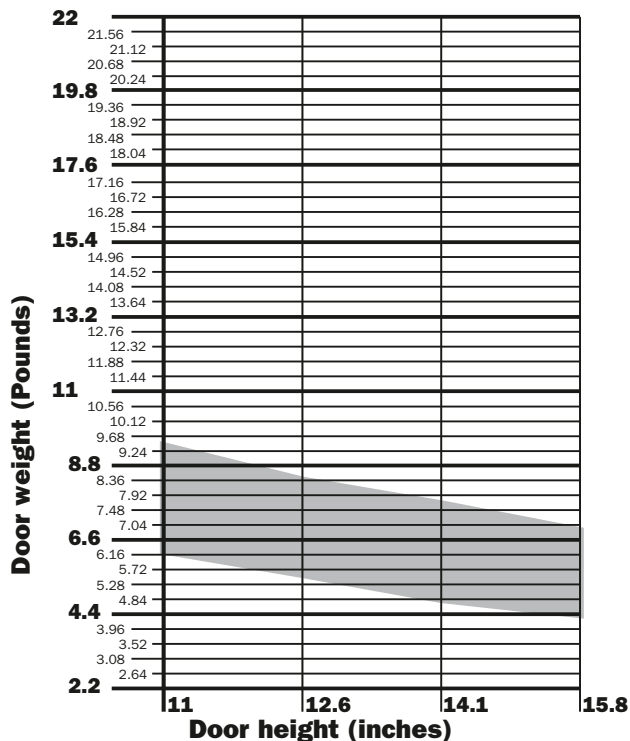
For doors made of light materials, one Smove may be sufficient.

Min door height- 11"
Max door height- 16"

Gray Smove

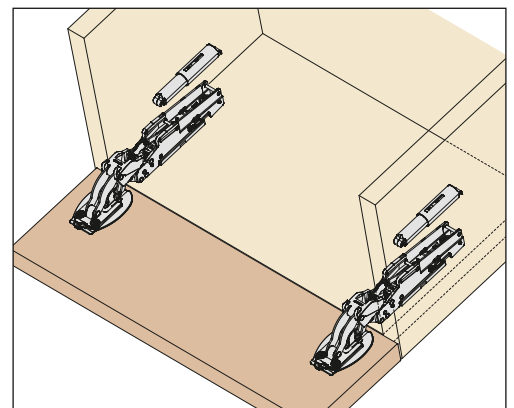


DRBWXXYXI

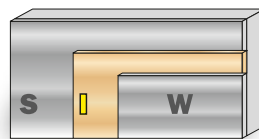
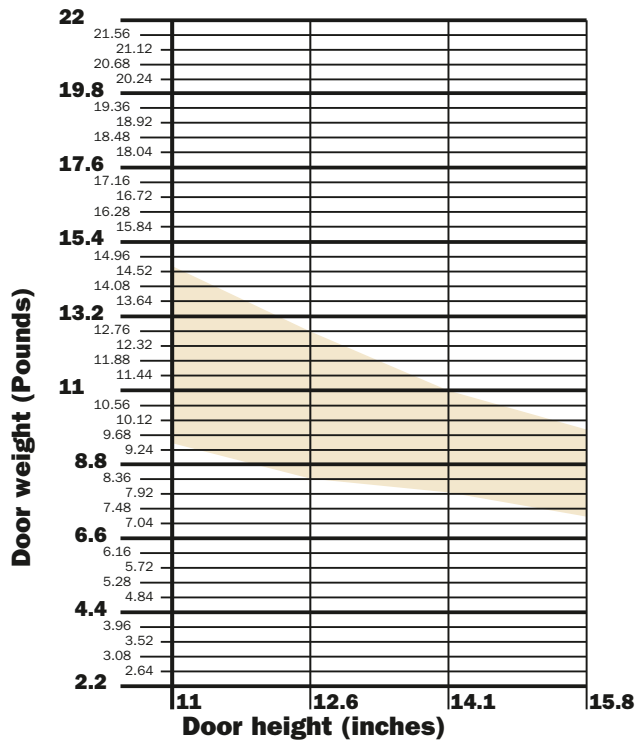


Min door height- 11"
Max door height- 16"

Gray Smove

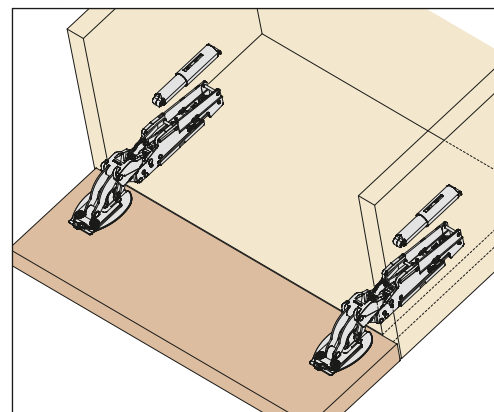


DRB|XXYXI

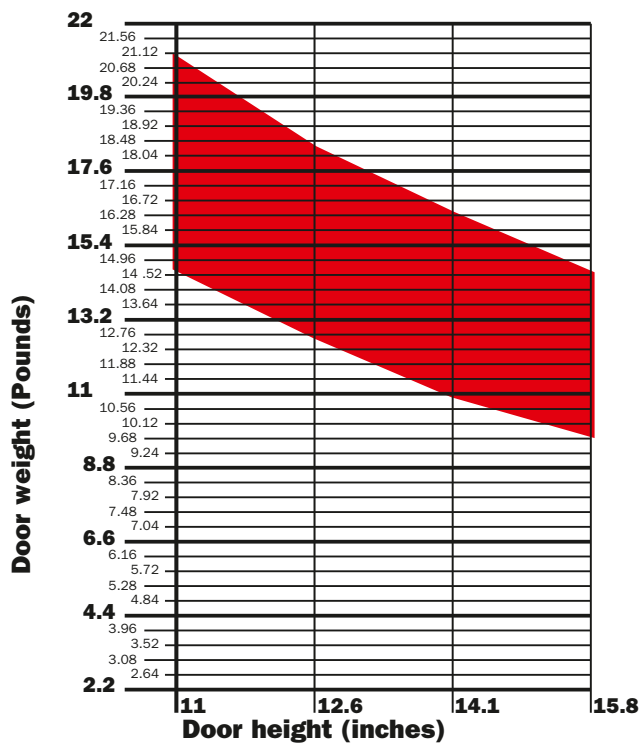


Min door height- 11"
Max door height- 16"

Beige Smove



DRBSXXYXI



Min door height- 11"
Max door height- 16"

Red Smove

