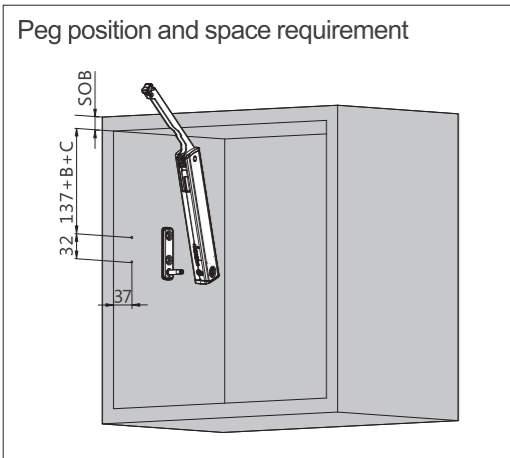


SE Series Push-open Lifting System Installation

Installation Dimensions(mm)

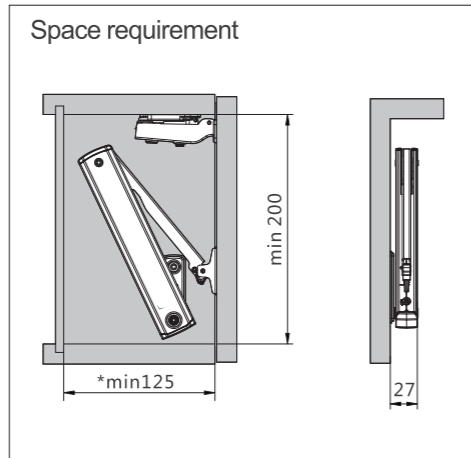
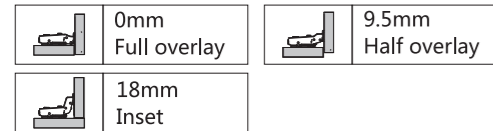


SOB Top panel thickness

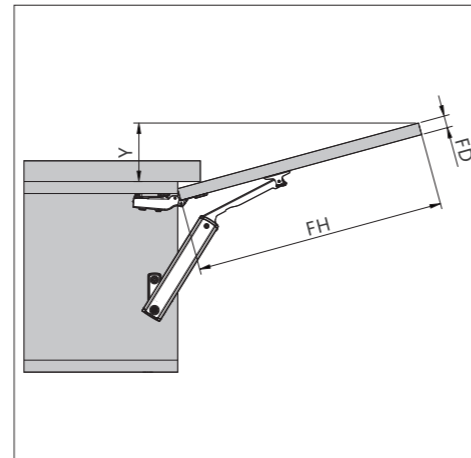
B Hinge mounting plate height

B	0mm	2mm	4mm	9mm	18mm
Mounting plate	H=0	H=2	H=4	H=9	H=18

C Hinge overlay



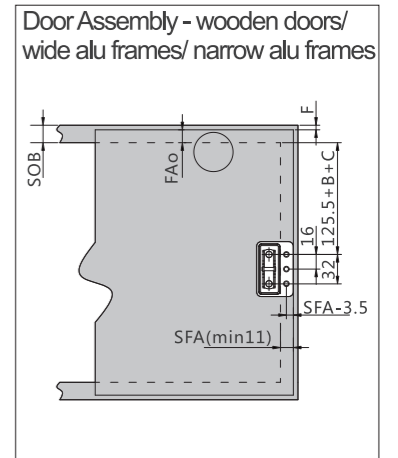
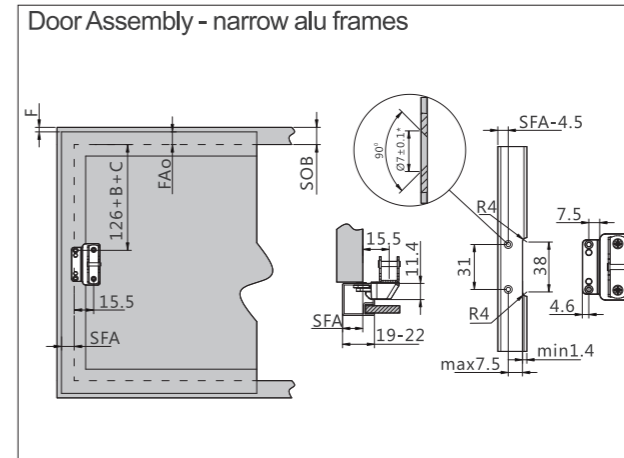
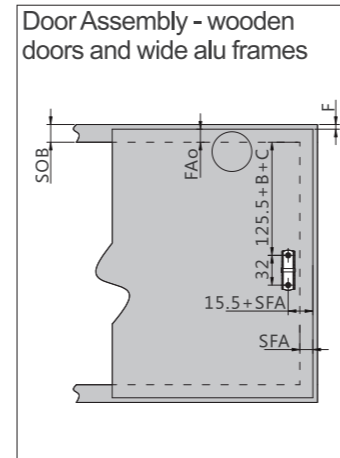
* Minimum 200mm for suspension bracket application



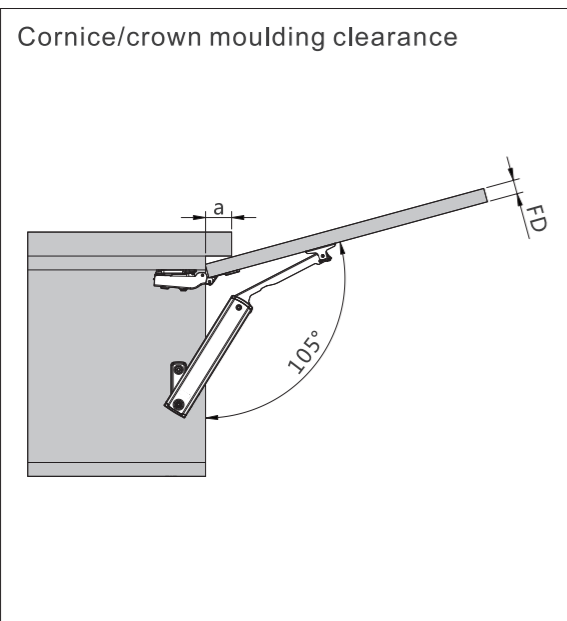
$$Y = (FH - a) \times 0.3$$

FH=Front height

FD (mm)	16	19	22	24
a (mm)	45	34	23	15



Installation Dimensions(mm)



FD (mm)	16	19	22	24
a (mm)	45	34	23	15

Minimum gap
MFu=1.5mm

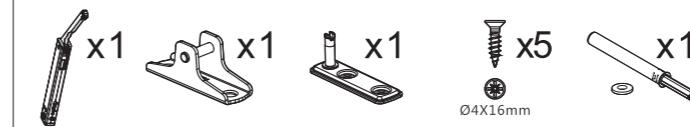
K(mm)	3	4	5	6	Mounting plate
D(mm)	15	16	17	18	H=0
	13	14	15	16	H=2
	11	12	13	14	H=4
	6	7	8	9	H=9

K=Drilling distance D=Required door overlay

FD=	16	17	18	19	20	21	22	23	24	25	26
K=3 MFo=	0.7	0.9	1.2	1.5	1.8	2.2	2.6	3.2	3.8	4.5	5.3
K=4 MFo=	0.7	0.9	1.1	1.4	1.8	2.1	2.5	3.0	3.5	4.4	4.9
K=5 MFo=	0.6	0.9	1.1	1.4	1.7	2.0	2.4	2.9	3.4	3.9	4.6
K=6 MFo=	0.6	0.8	1.1	1.3	1.6	2.0	2.4	2.8	3.2	3.8	4.4

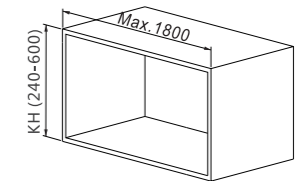
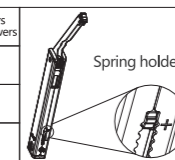
F: Gap
FAo: Top panel overlay
MFu: Bottom Min. gap
MFo: Top Min. gap
SFA : Side panel overlay= side thickness – gap
FD : Door thickness

T1 Kit package including



Calculating power factor LF of stay

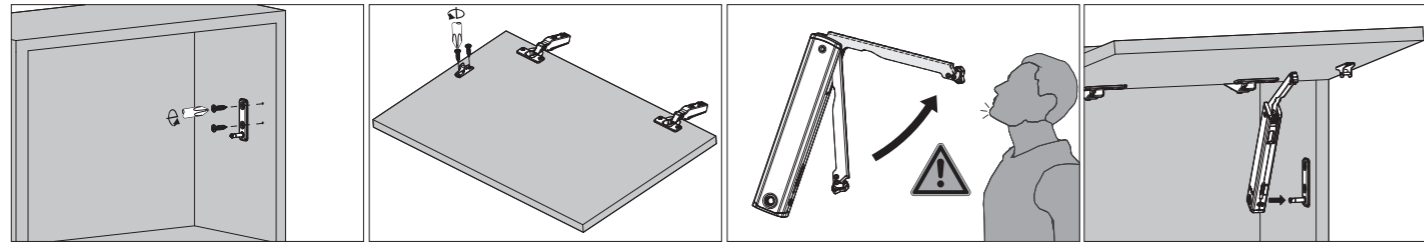
Kit package item No.	Power factor LF	Cabinet Height KH	Dynamic	Spring holder colours represent different powers
105-SE02P-AL	200-1000	240-600mm	Light	Light grey
105-SE02P-AM	500-1400		Medium	Dark grey
105-SE02P-AH	960-2050		Strong	White



LF=KH x (weight door + 2 x weight handle)
The power factor can be double when a second lift mechanism is used.



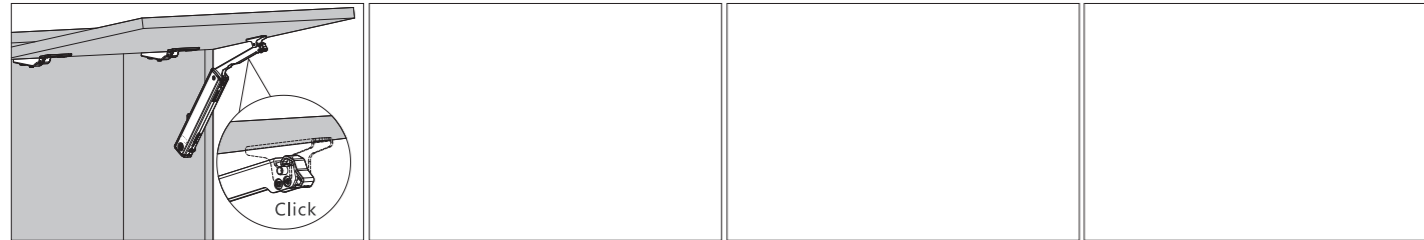
Assembly



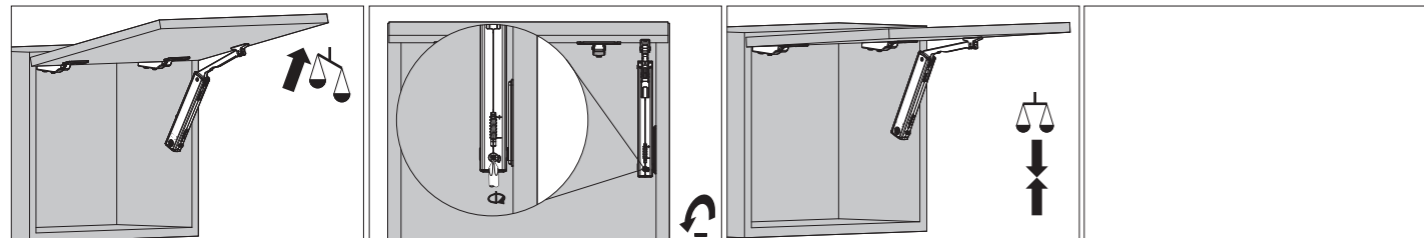
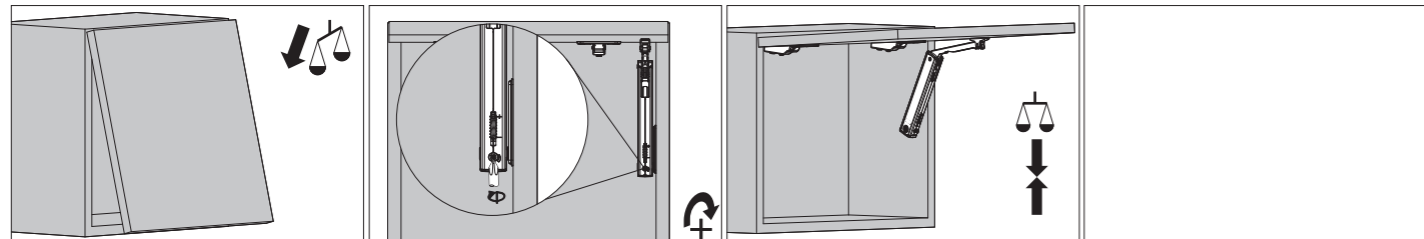
Assembly

Door Assembly

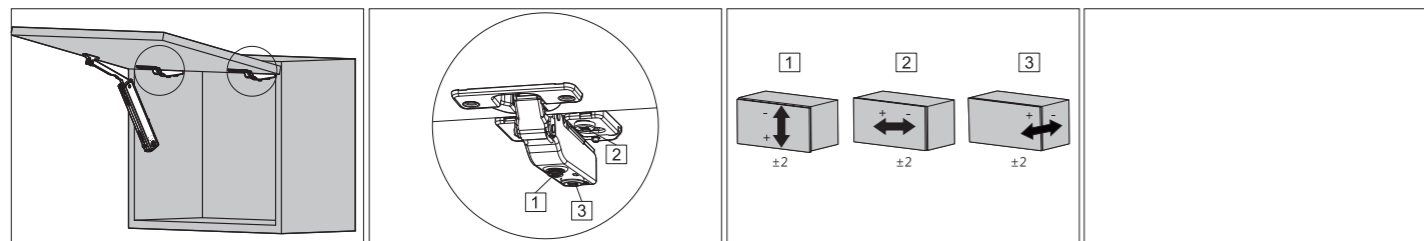
The arm of this device could spring up and cause injury.
Do not push the arm down without door attached.



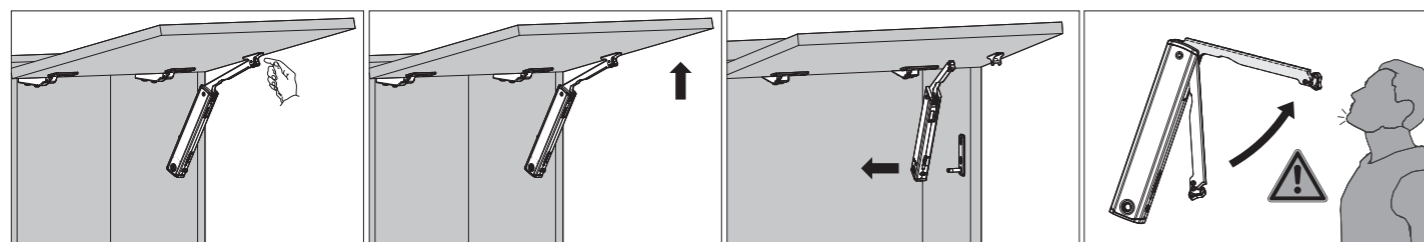
Hovering Adjustment



Adjustment

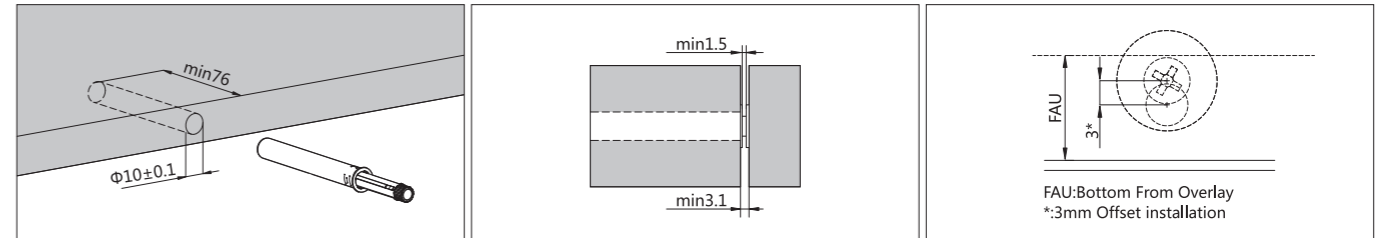


Removal



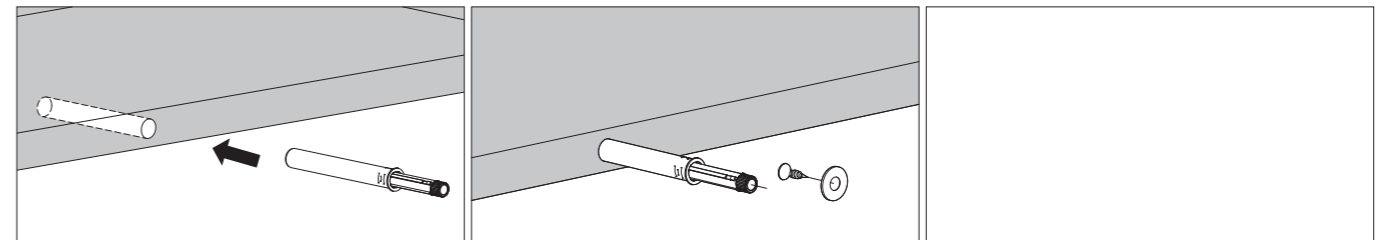
The arm of this device could spring up and cause injury!

Insert-type Magnetic Push Latch Installation Dimensions (Standard)

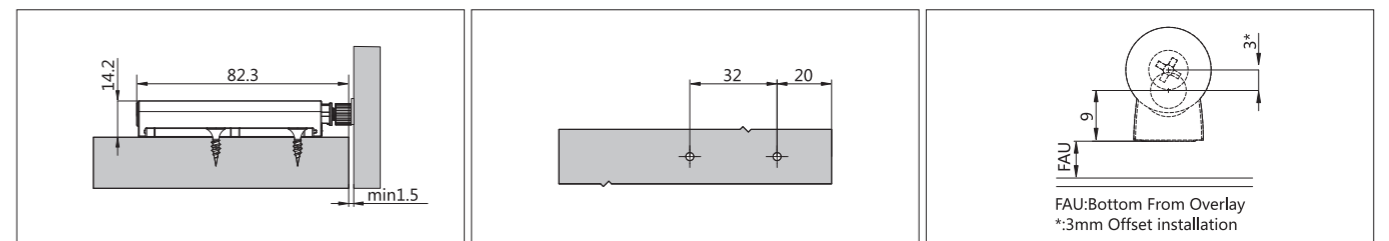


FAU:Bottom From Overlay
*:3mm Offset installation

Assembly

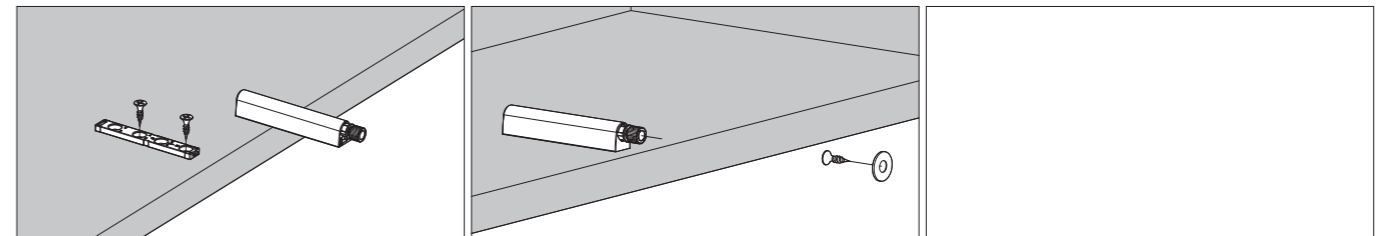


Magnetic Push Latch with Inline Fixing Plate (Optional)

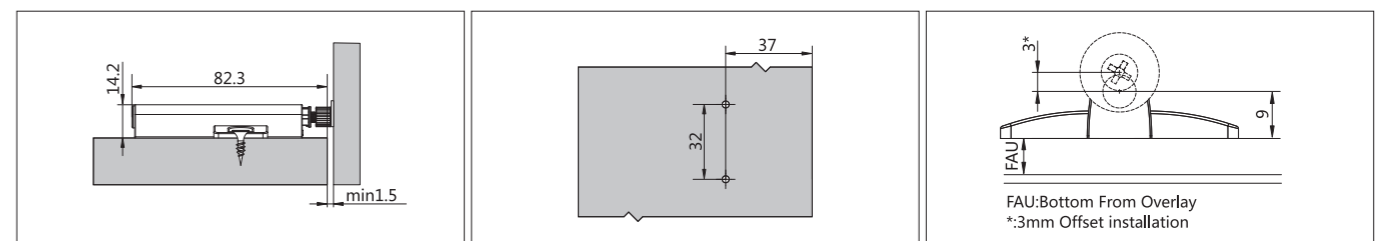


FAU:Bottom From Overlay
*:3mm Offset installation

Assembly



Magnetic Push Latch with Cross Fixing Plate (Optional)



FAU:Bottom From Overlay
*:3mm Offset installation

Assembly

