

Gas Spring Lift Stay

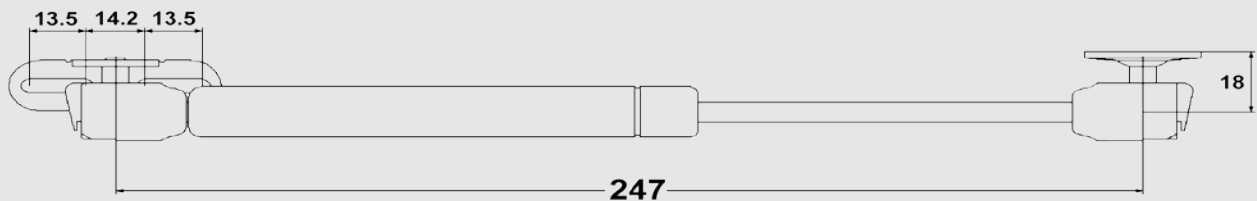
Product Features

- Suitable for wood or aluminum frame doors
- 80N or 120N force
- Steel with attractive nickel finish
- Can be installed one or two per door depending on application
- Load bearing capacity doubles when using two lift stays
- No need to oil or lubricate

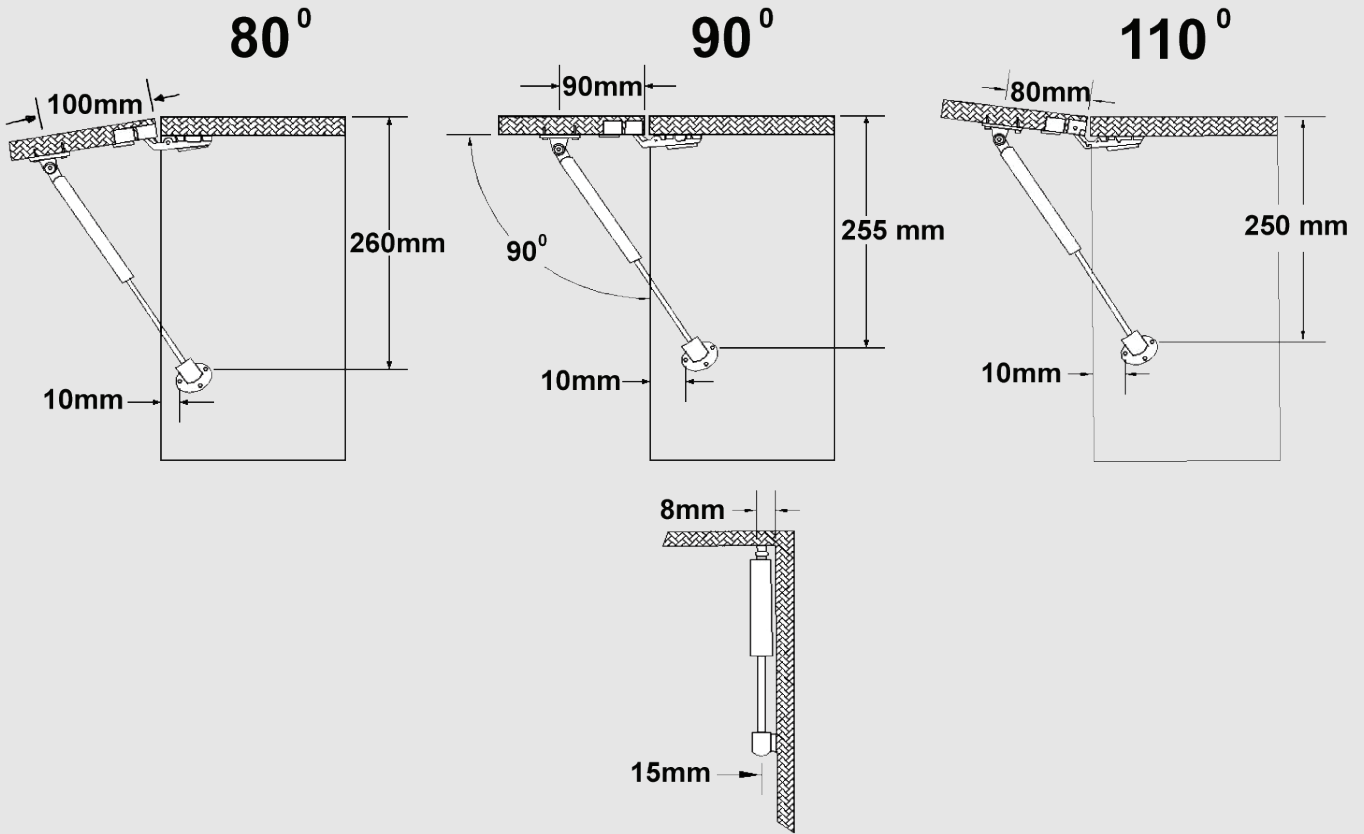


Item No.	Force
03-3805	80N (18lbs / 8kg)
03-3807	120N (27lbs / 12kg)

Product Specification



Product Installation



Maximum Door Weight (kg) per application, door height and lift stay force.

Application	80 deg.				90 deg.				110 deg.			
	Door Height (mm)											
Force (N)	300	400	500	600	300	400	500	600	300	400	500	600
80N	2.6	2.2	1.7	1.3	2.4	2.0	1.6	1.2	2.1	1.7	1.4	1.0
120N	4.0	3.0	2.4	1.9	3.6	2.6	2.0	1.7	3.1	2.2	1.9	1.6

These figures are a general estimate only and a practical trial is recommended when exceeding the weight or height listed above. These figures are calculated to apply to one installed gas spring lift stay per door and the load bearing capacity will double when using two lift stays.