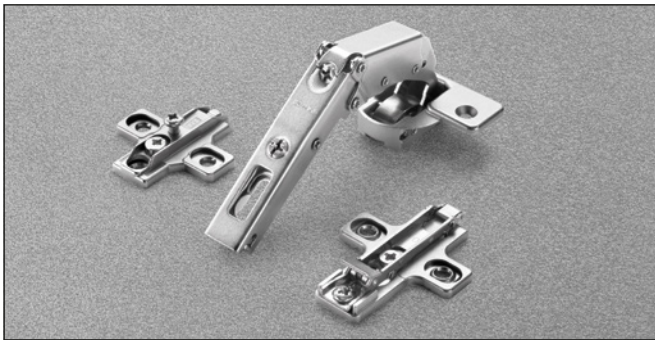


## Hinge for corner cabinets



### Technical information

#### Adjustable hinge for corner cabinets.

11 mm (7/16") deep cup.  
 35 mm cup diameter.  
 Opening angle of the swing door 65°.  
 Possible drilling distance on the door (K): from 3 to 5 mm.  
 For doors close to 1" (25.4 mm), K max: 4 mm.  
 Maximum thickness of the door with square edges: 1" (25.4 mm).  
 Extended adjustment range +7 / -5 mm  
 For special applications, please contact our technical service.  
 Compatible with all mounting plates, including face frame adapters.


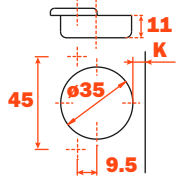

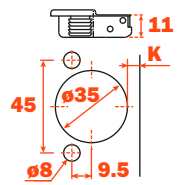
#### Packing

Boxes 150 pcs.  
 Pallets 3.600 pcs.

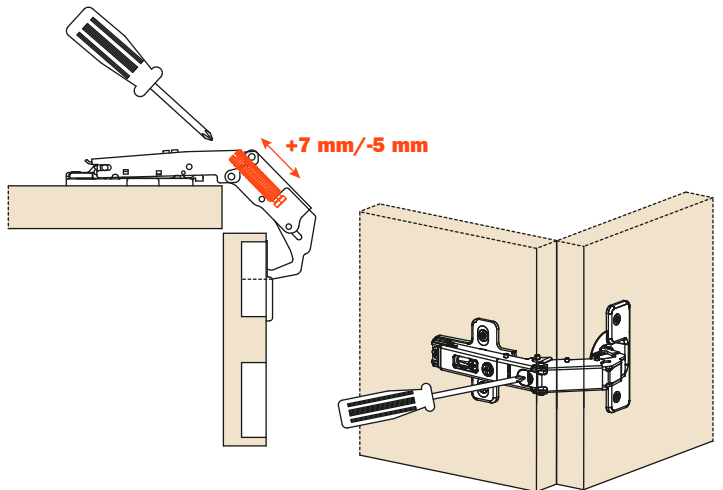
CA sprung hinge

**C2\_YA99R**

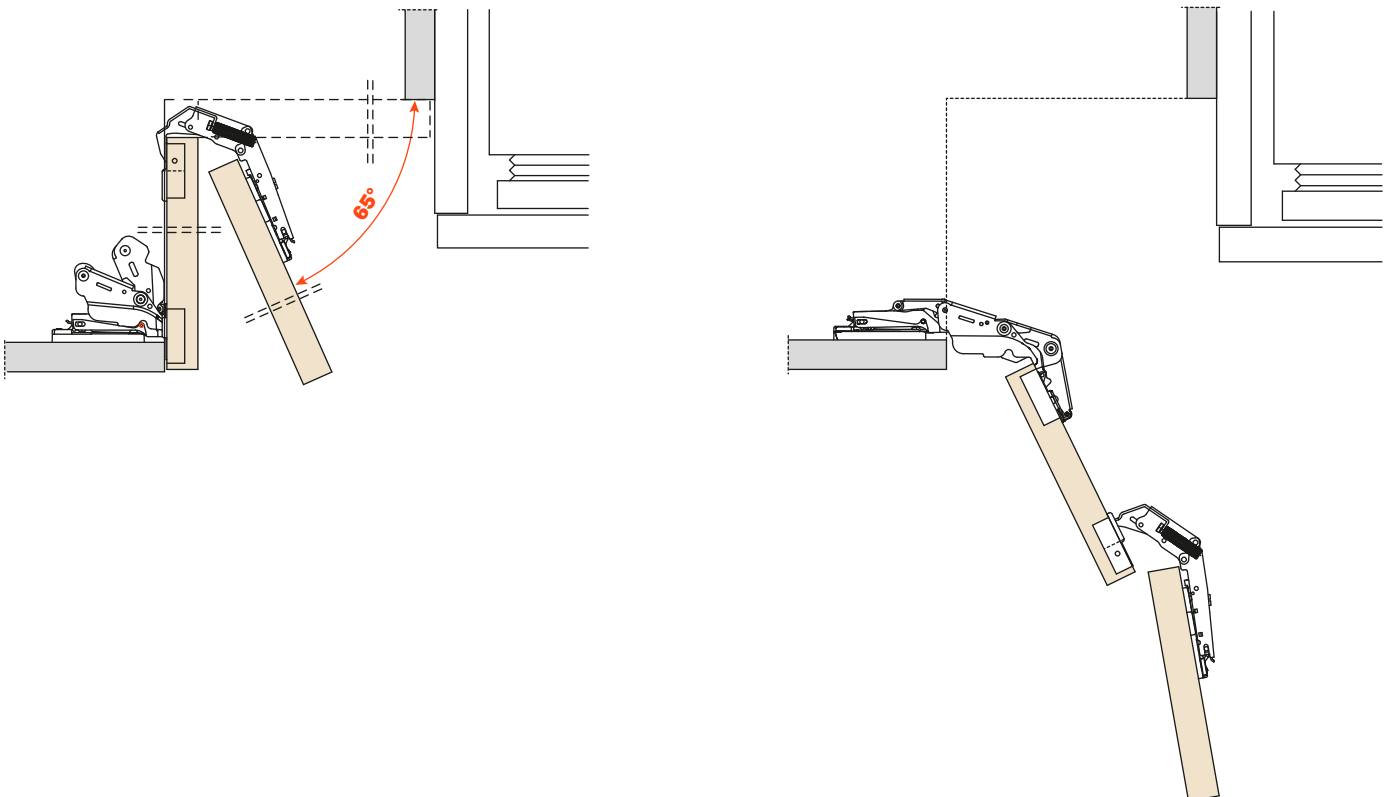


	
	<b>C2PYA99R</b>
	
	<b>C2RYA99R</b>

### Diagonal adjustment

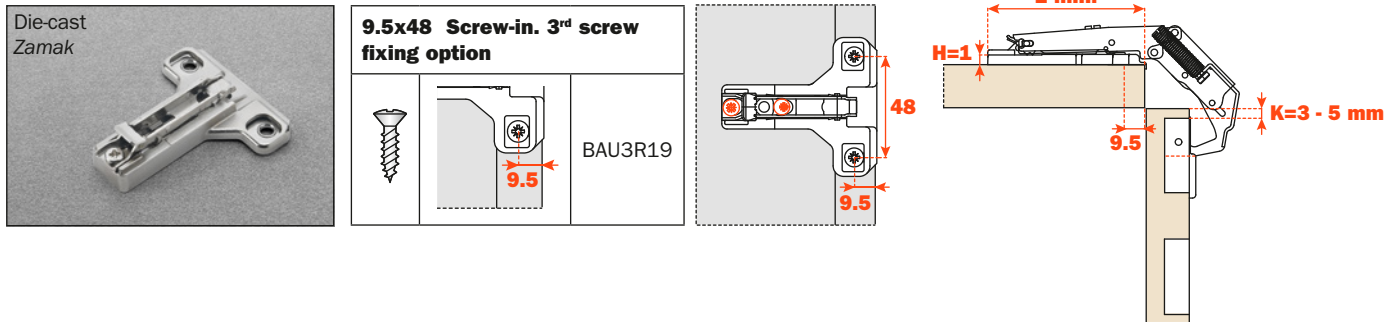


### Hinge movement and maximum opening width



## Using the hinge with a frame adapter plate 1 mm

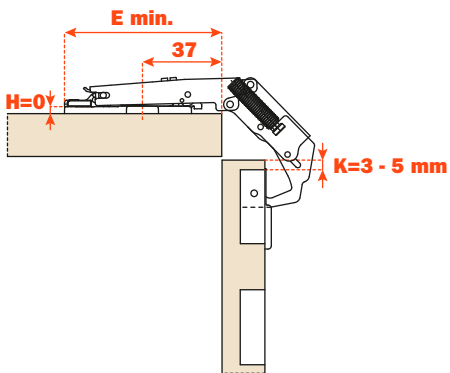
Thickness of the door with square edges: min. 16 mm - max. 25 mm



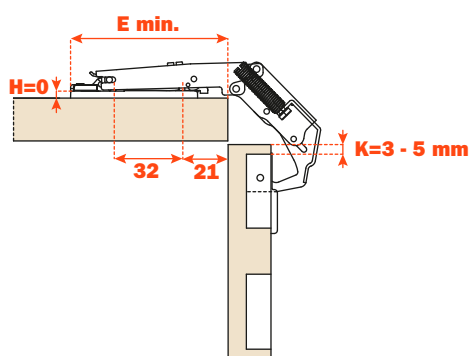
## Using the hinge with a euro plate 0 mm

Thickness of the door with square edges: min. 16 mm - max. 25 mm

### Cruciform plate



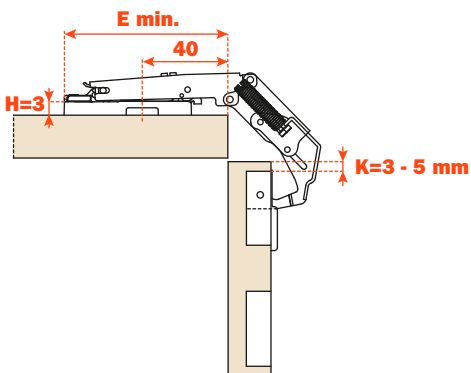
### In-line plate



## Using the hinge with a euro plate 3 mm

Thickness of the door with square edges: min. 19 mm - max. 25 mm

### Cruciform plate



### In-line plate

