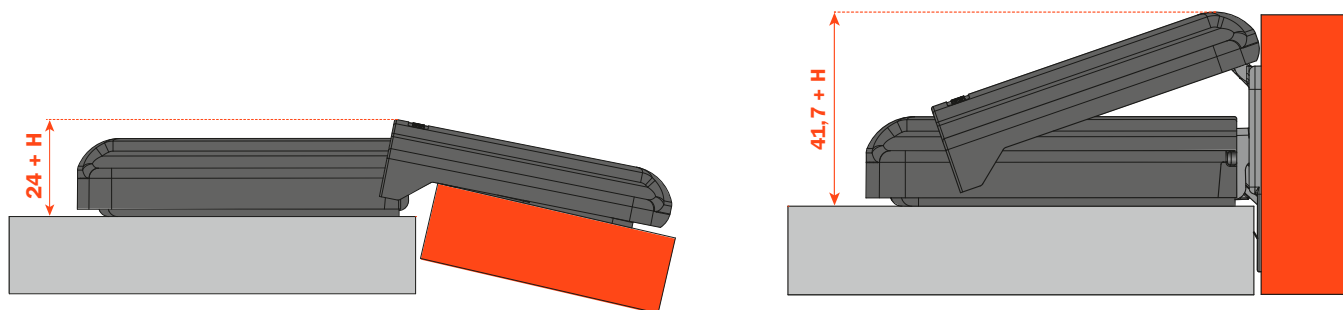
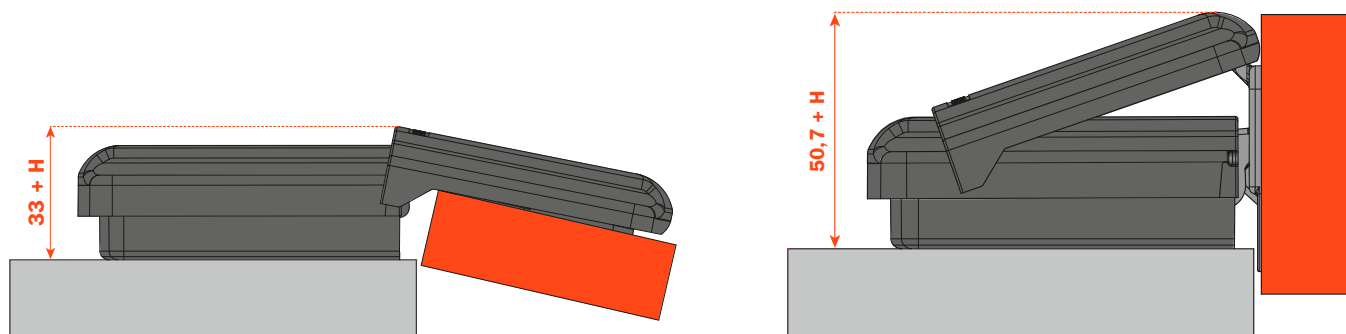


Lapis hinge - 0 arm - 0 mounting plate



Lapis hinge - 9 arm - 0 mounting plate



Assembly instructions

After fixing the mounting plate, attach the skirt.

Attached skirt.



Clip the hinge onto the mounting plate.

ATTACHMENT OF THE HINGE ARM COVER



Clip the cover onto the hinge arm.

Press to clip the cover.



ATTACHMENT OF THE DOOR SIDE COVER

Lift the carrier.

Clip the cover onto the carrier.



Half-close the door to ensure that the covers are engaged correctly.



Disassembly instructions

Half-close the door and lift the cover.



Open the door and push the cover firmly in the direction indicated.



Remove the cabinet side cover.



Unclip the hinge from the mounting plate.



Remove the skirt.

