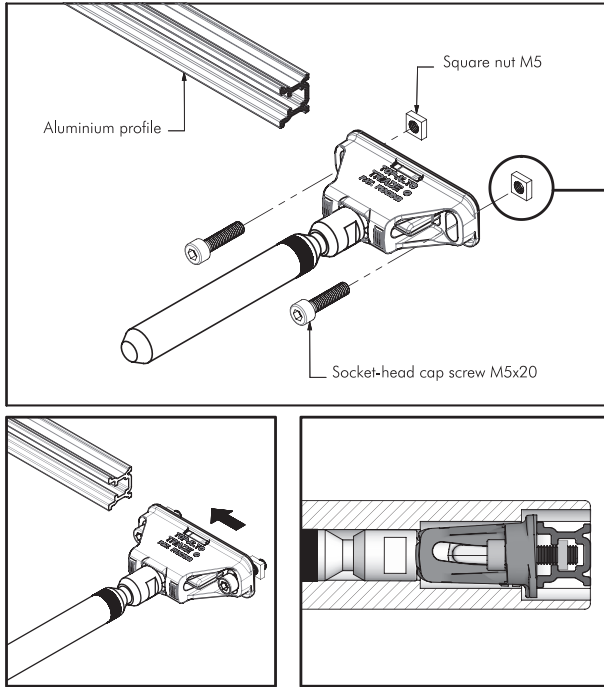
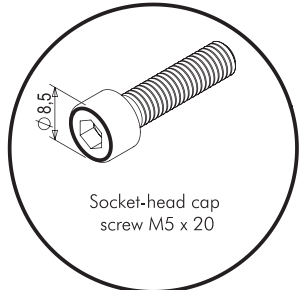
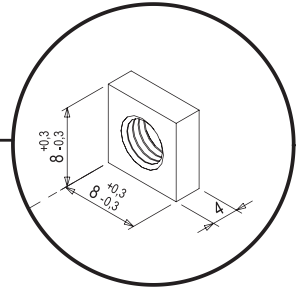


ASSEMBLING FOR "TRIADE" AND "TRIADE MINI" WITH ALUMINIUM PROFILE (P/N 690240000)



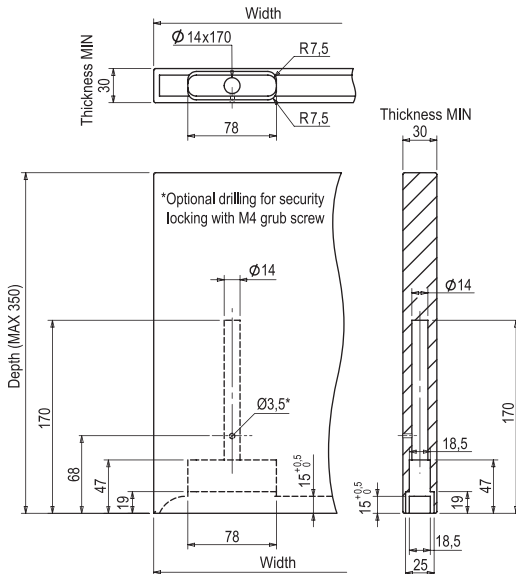
BEST OPTION



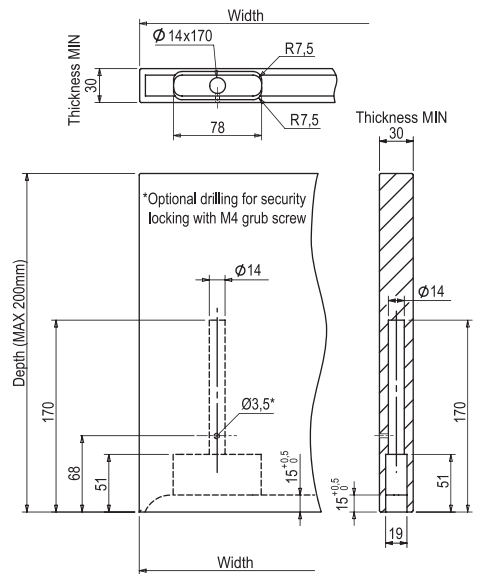
Socket-head cap screw M5 x 20

USE A S4mm ALLEN WRENCH

DRILLING PLAN FOR "TRIADE"



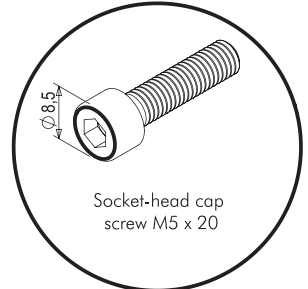
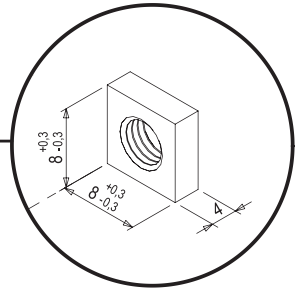
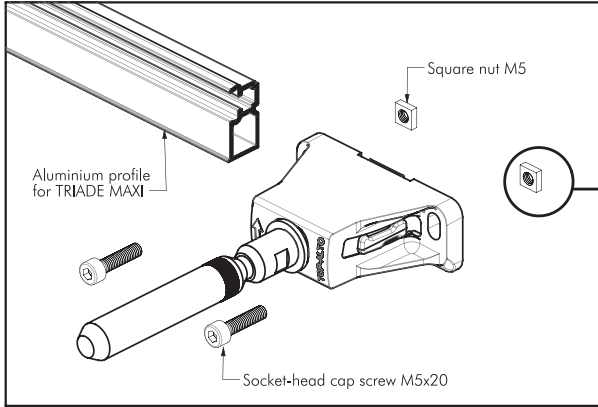
DRILLING PLAN FOR "TRIADE MINI"



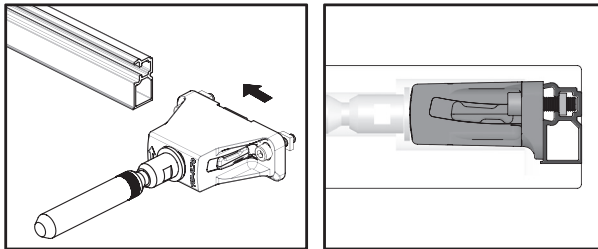
ASSEMBLING FOR "TRIADE MAXI" AND "TRIADE XXL" WITH ALUMINIUM PROFILE (P/N 691240000)



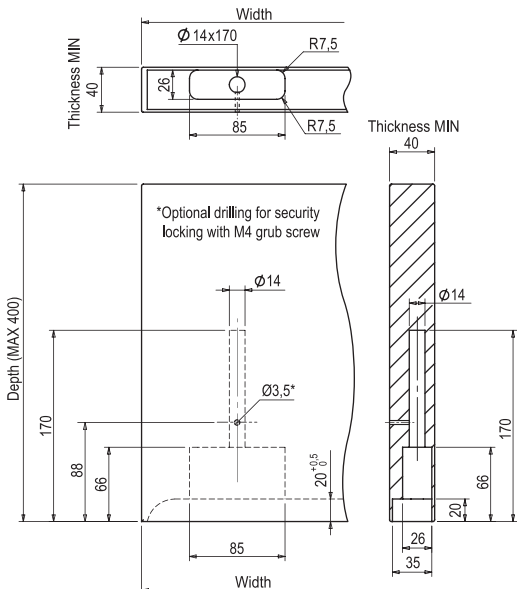
BEST OPTION



USE A S4mm ALLEN WRENCH



DRILLING PLAN FOR "TRIADE MAXI"



DRILLING PLAN FOR "TRIADE XXL"

