



# Triade Pro System

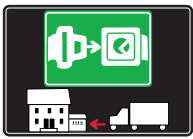
WOOD  
AND  
GLASS  
SHELVING  
SYSTEMS





# SYMBOLS AND FINISHES LEGEND

## SYMBOLS



= SHELF SAFELY LOCKED DURING TRANSPORTATION AND AT HOME.



= ANTI-TURNOVER LOCKING SYSTEM



= NORMS / PATENTS



= PHILLIPS / POZIDRIV



= WITH BUFFER



= PART NO.



= BLADE SLOT



= WITH MAGNET



= PCS. PER PACKAGE



= COMBI SLOT



= HEXAGONAL SOCKET



= NEWTON



= CAPACITY LOADING



= HEXALOBULAR SOCKET



= FRICTION



= WOOD / GLASS THICKNESS



= COUNTERSUNK HEAD



= AUTOMATIC



= HOLE DIAMETER



= PAN HEAD



= DROP DOWN



= DIAMETER



= FLANGE HEAD



= LENGTH



= FLAT HEAD



= STANDARD HINGE



= HEIGHT



= TRILOBULAR SCREW



= KIMANA HINGE



= RIGHT VERSION



= SELF-TAPPING SCREW



= FLAP HINGE



= LEFT VERSION



= EURO THREAD



= WITH SPRING



= SETTING CODE



= METRIC THREAD



= WITHOUT SPRING



= PCS. PER PAD



= PRE-INSERTED SCREW



= REVERSED SPRING



= CUT ON REQUEST



= PRE-INSERTED SCREW AND SPREADING BUSH



= SELF ADHESIVE



= WITH FLANGE

NOTE: Printing errors and omissions may exist despite our best efforts to ensure accuracy. We reserve the right to alter specifications without notice.

## MATERIALS

**ZA** = Zinc Alloy

**ST** = Steel

**HSS** = High Speed Steel

**BR** = Brass

**ABS** = Acrylonitrile Butadiene Styrene

**ZAnk** = Nickel-plated Zinc Alloy

**STzk** = Zinc-plated Steel

**AL** = Aluminium

**WD** = Wood

**EVA** = Ethylene Vinyl Acetate

**EP** = **ENGINEERING PLASTIC**

+ **EP** = other engineering plastic available on request

**SR** = **SOFT RUBBER**

+ **SR** = other soft rubber available on request

**EPn** = Natural Engineering Plastic

**EPc** = Clear Engineering Plastic

**SRn** = Natural Soft Rubber

**EPw** = White Engineering Plastic

**EPg** = Grey Engineering Plastic

**SRw** = White Soft Rubber

**EPwg** = Water Green Engineering Plastic

**EPa** = Anthracite Engineering Plastic

**SRb** = Black Soft Rubber



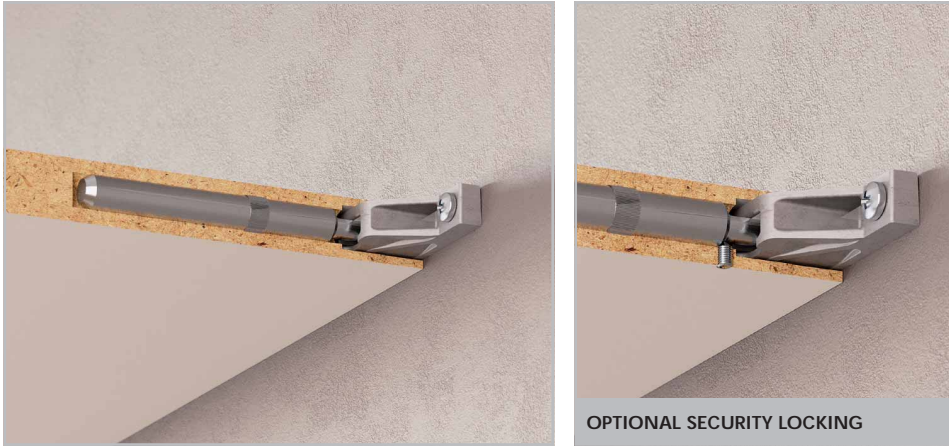
## FINISHES



+ **OTHER FINISHES AVAILABLE ON REQUEST**

PART NO.	FINISHES	PART NO.	FINISHES	PART NO.	FINISHES
OO	Insignificant finish	IF	Middle Grey	RO	Red
AA	Natural	IJ	Light Grey	UT	T-Met 9007
AB	White	IL	Grey 20	UZ	T-Met
AE	White 9010	IN	Grey met. 26	WA	Bronzed
EA	Black	JB	Bright Aluminium	WI	Burnished
EC	Matt Black	JC	Aluminium - Chrome	XD	Satin-finished Steel
EE	Anthracite	JD	Matt Aluminium	YA	Nickel-plated
EW	Grey 9007	JE	Satin-finished Aluminium	YB	Bright Nickel-plated
FU	Gunmetal	JF	Aluminium - Brass	YC	Matt Nickel-plated
FV	Gunmetal V52	JG	Aluminium 5	YD	Satin-finished Nickel-plated
GR	Raw	JL	Aluminium PE 11	YQ	Black Nickel
HA	Brass-Plated	JM	Aluminium RAL 9006	Z9	Black Zinc
HH	Tropicalized	KA	Chrome	ZA	Zinc alloy
HL	Raw Brass	KB	Bright Chrome	ZN	Zinc-plated
HX	Graphite	KC	Matt Chrome	ZQ	Bright Gold
IA	Grey	LD	Brown 8019	ZY	Titanium
IB	Metallic Grey	NN	Metallic Beige	ZZ	Clear

## TRIADE SLIM



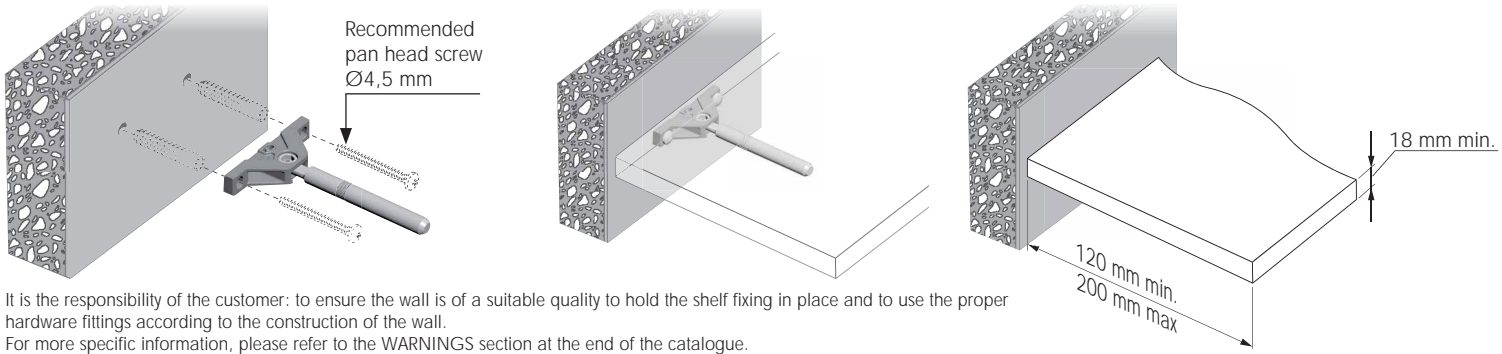
18 mm min.

15 kg per pair for shelf 200 mm deep

PAT. PENDING

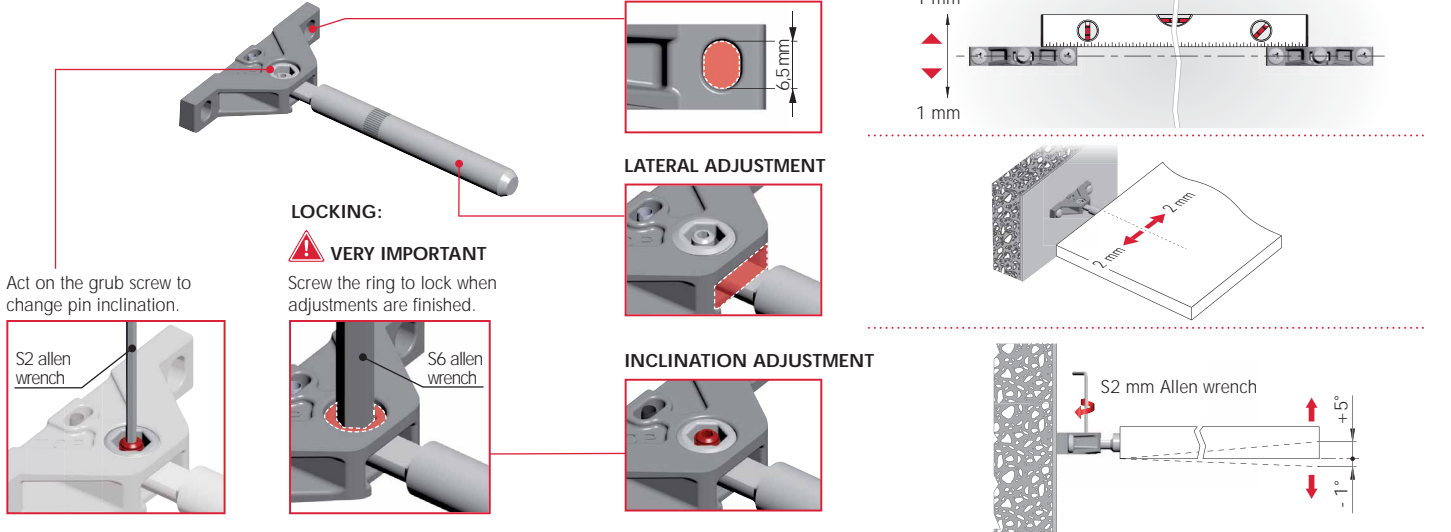
OPTIONAL SECURITY LOCKING

### SPECIFICATION



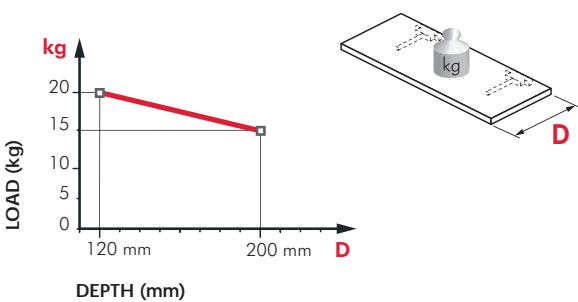
It is the responsibility of the customer: to ensure the wall is of a suitable quality to hold the shelf fixing in place and to use the proper hardware fittings according to the construction of the wall.  
For more specific information, please refer to the WARNINGS section at the end of the catalogue.

### ADJUSTMENT

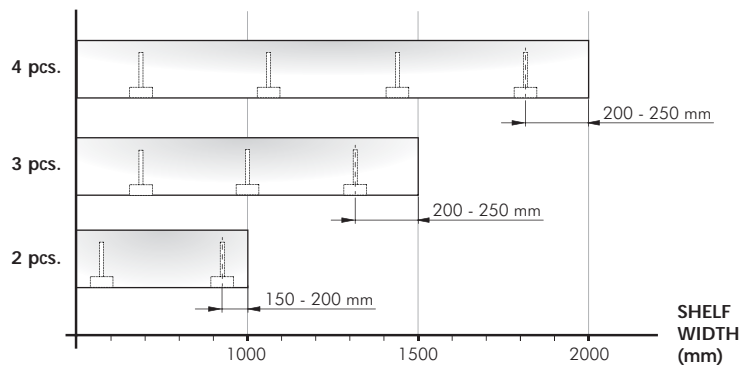


### CAPACITY LOADING CHART

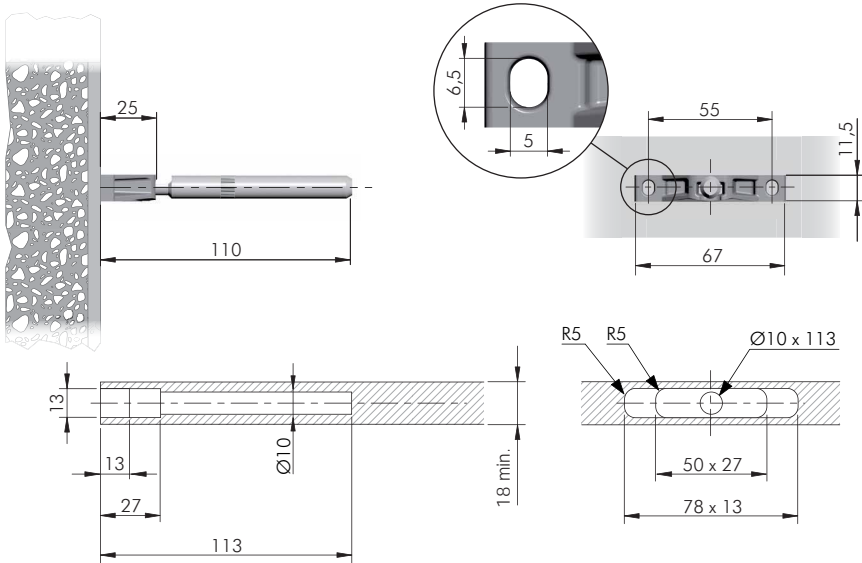
(The figures refer to 2 shelf supports)



### RECOMMENDED NUMBER OF TRIADE SLIM PER SHELF

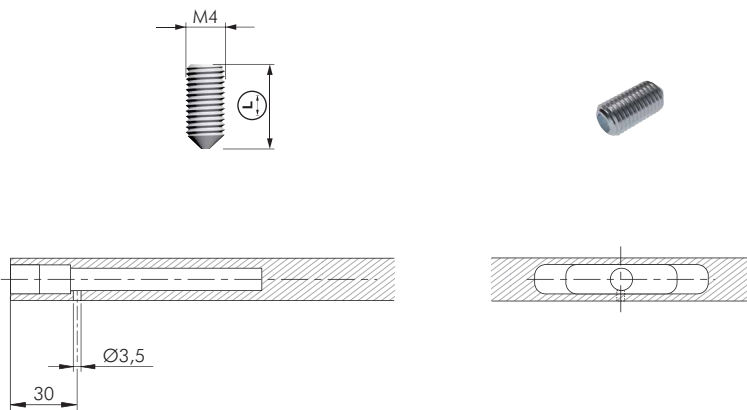






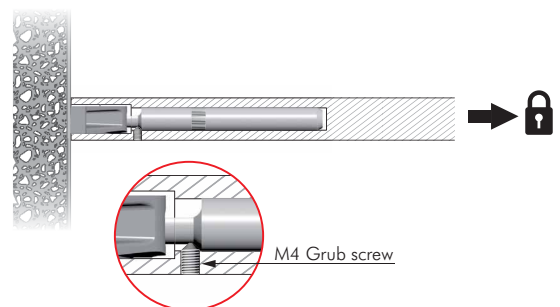
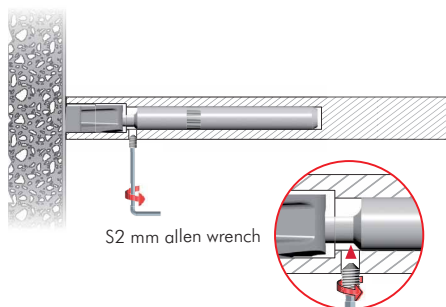
= open ended wrenches S2 and S6  
 ZA ST EP = 100 pcs.  
**1622501000**

## OPTIONAL DRILLING FOR SECURITY LOCKING



= S2 mm  
 ST = 100 pcs.

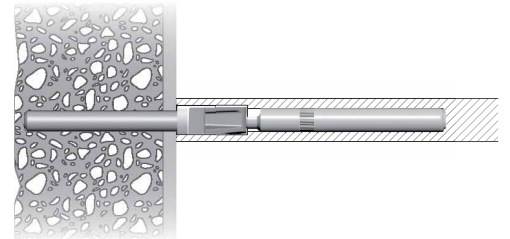
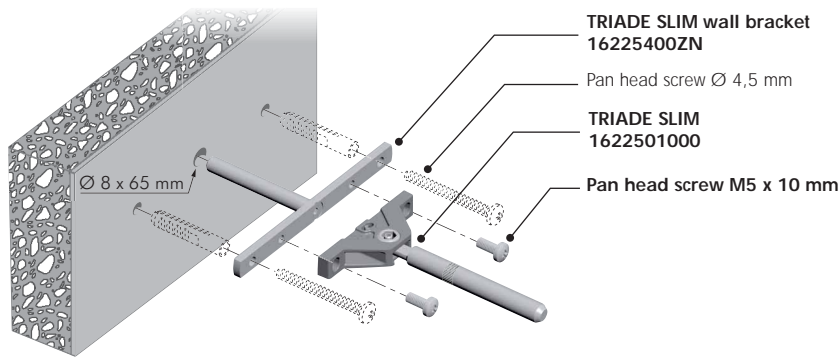
<b>21105210ZN</b>	6	18-20 mm
<b>21105180ZN</b>	10	25 mm



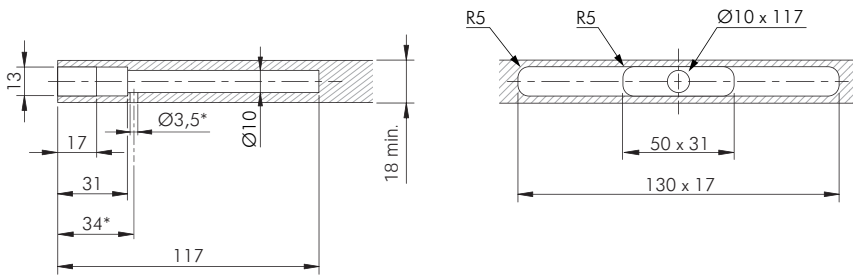
## TRIADE SLIM AND BRACKET



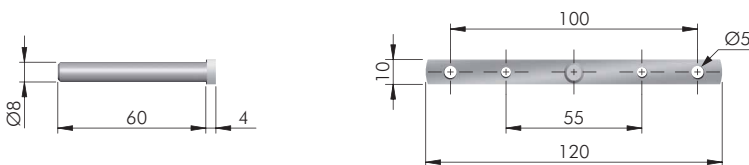
OPTIONAL SECURITY LOCKING



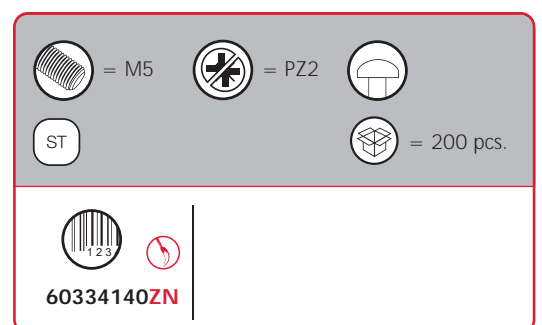
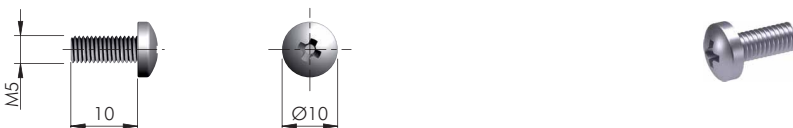
The wall bracket guarantees a more stable fixing to the wall. It is the responsibility of the customer: to ensure the wall is of a suitable quality to hold the shelf fixing in place and to use the proper hardware fittings according to the construction of the wall. For more specific information, please refer to the WARNINGS section at the end of the catalogue.



\* Optional drilling for security locking with M4 grub screw placed underneath in alignment with the cavity. For details refer to Triade Slim section.

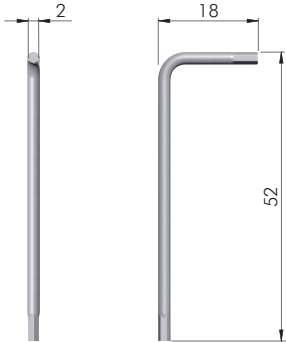


## FIXING ACCESSORY

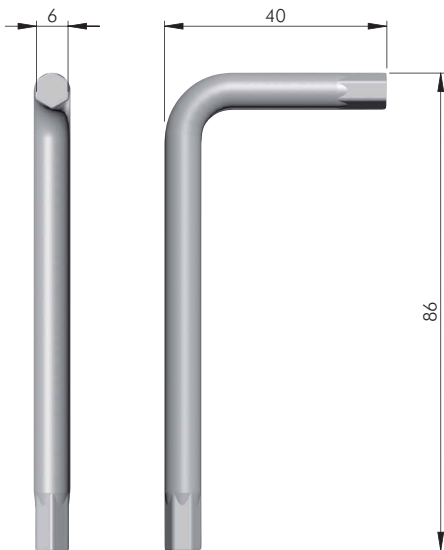




## TRIADE SLIM ACCESSORIES



= S2	= 1000 pcs.
123	
<b>62501090ZN</b>	



= S6	= 500 pcs.
123	
<b>62501040ZN</b>	

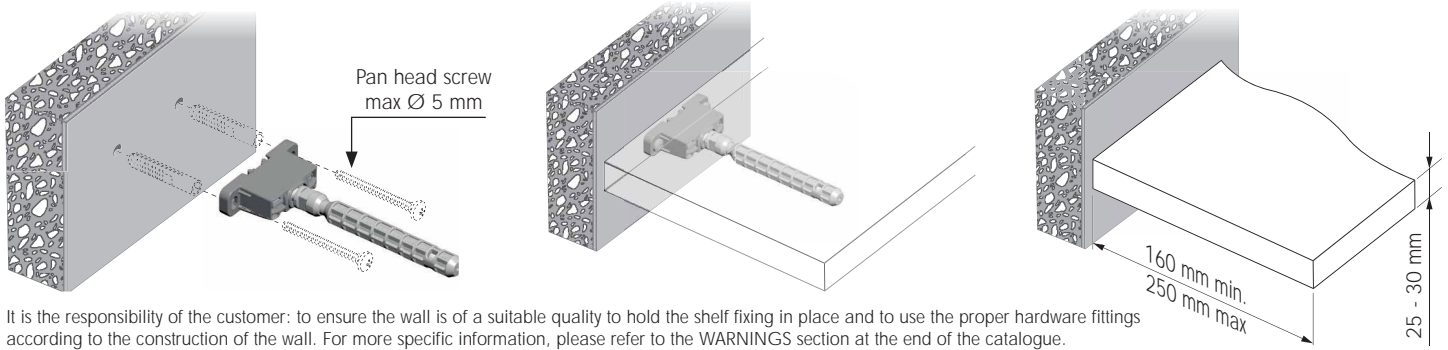
## TRIADE PRO MINI



25 mm min.

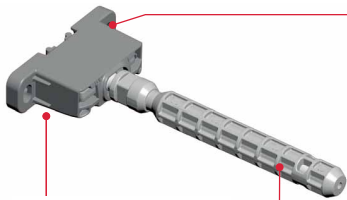
15 kg per pair for shelf 250 mm deep

### SPECIFICATION



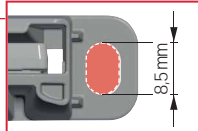
It is the responsibility of the customer: to ensure the wall is of a suitable quality to hold the shelf fixing in place and to use the proper hardware fittings according to the construction of the wall. For more specific information, please refer to the WARNINGS section at the end of the catalogue.

### ADJUSTMENT

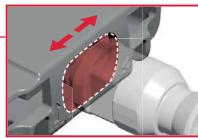


Screw to lock when adjustments are finished.

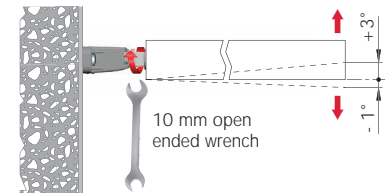
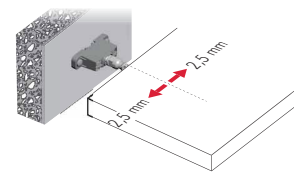
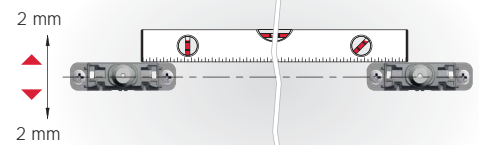
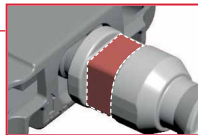
### BRACKET ALIGNMENT



### LATERAL ADJUSTMENT

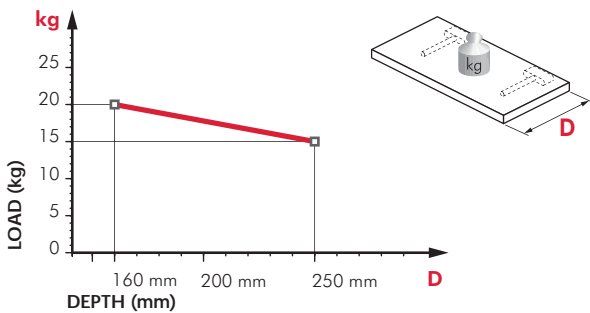


### INCLINATION ADJUSTMENT

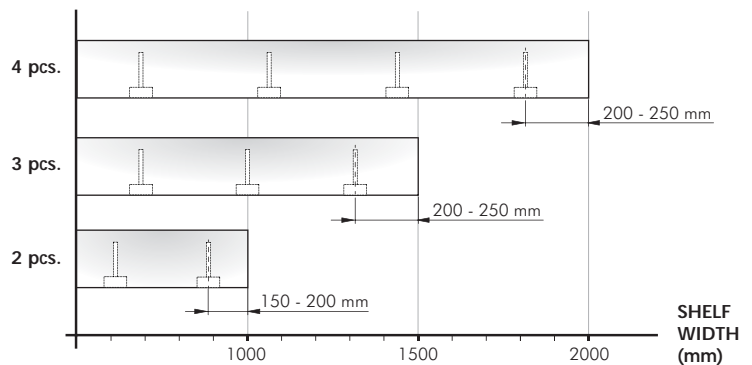


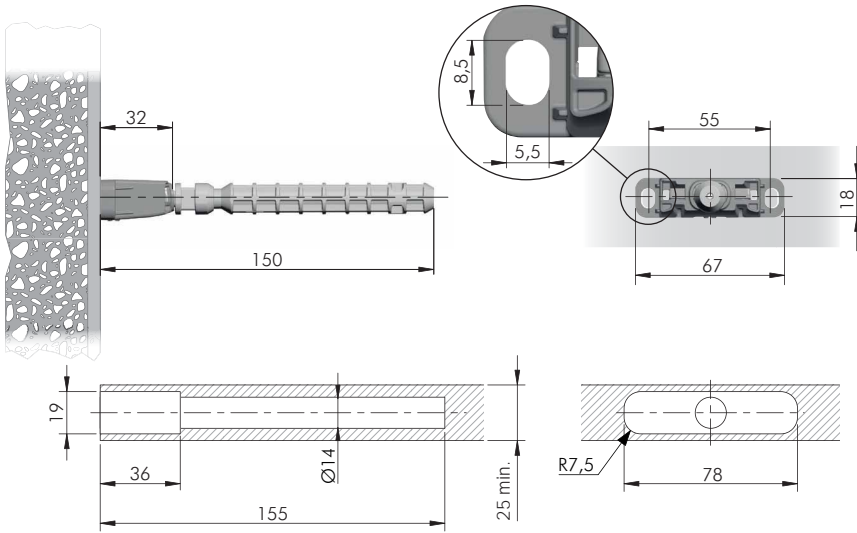
### CAPACITY LOADING CHART

(The figures refer to 2 shelf supports)



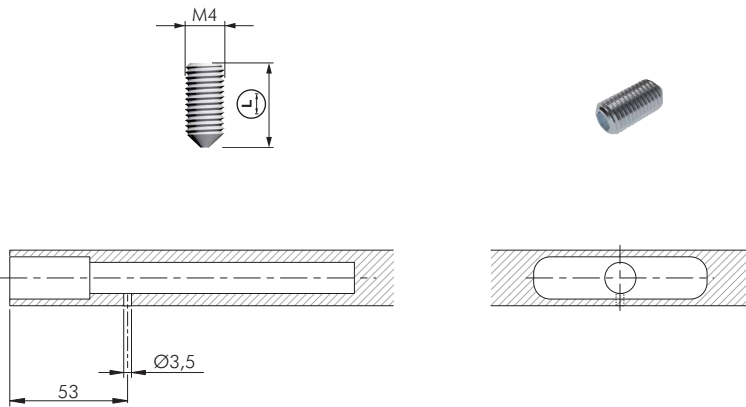
### RECOMMENDED NUMBER OF TRIADE PRO MINI PER SHELF



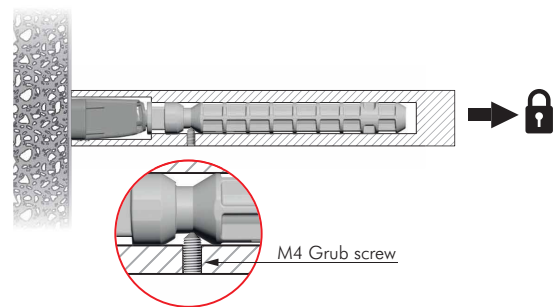
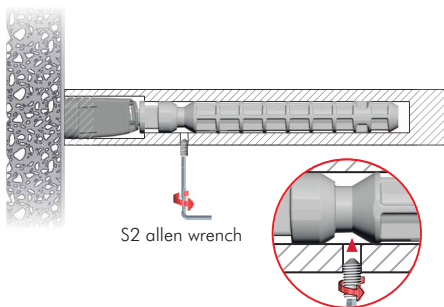


= PZ2	= open ended wrench 10 mm
ZA ST EP	= 50 pcs.
123	
<b>1623001000</b>	

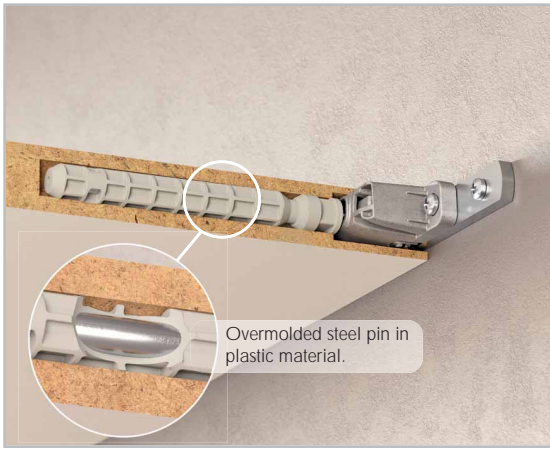
## OPTIONAL DRILLING FOR SECURITY LOCKING



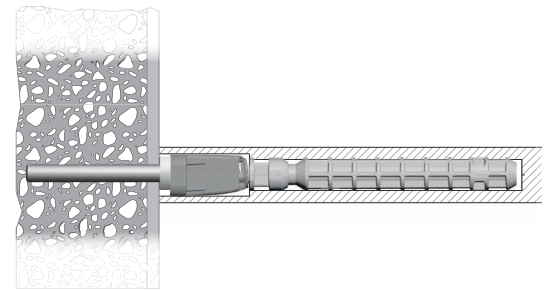
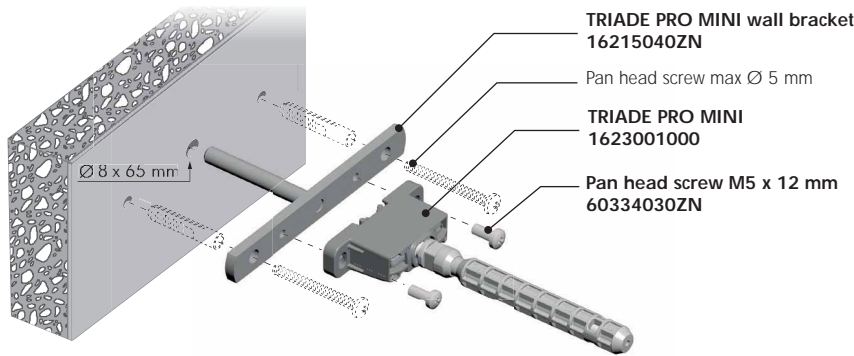
= S2	= 100 pcs.	
ST	= 1mm	
123		
<b>21105170ZN</b>	8	25
<b>21105180ZN</b>	10	30



## TRIADE PRO MINI AND BRACKET

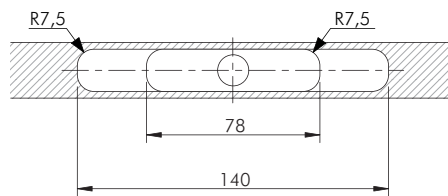
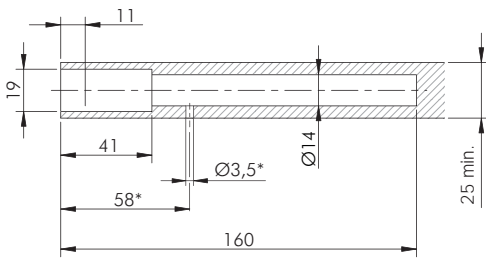


25 mm min.

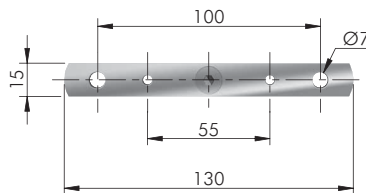
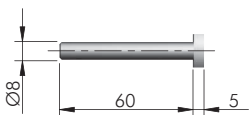


The wall bracket guarantees a more stable fixing to the wall.

It is the responsibility of the customer: to ensure the wall is of a suitable quality to hold the shelf fixing in place and to use the proper hardware fittings according to the construction of the wall. For more specific information, please refer to the WARNINGS section at the end of the catalogue.

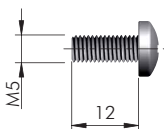


\* Optional drilling for security locking with M4 grub screw placed underneath in alignment with the cavity. For details refer to Triade Pro Mini section.



ST	= 100 pcs.
123	
<b>16215040ZN</b>	

## FIXING ACCESSORY

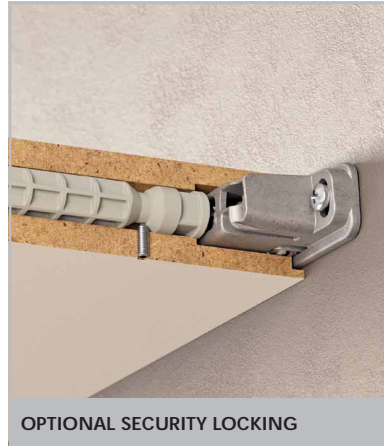
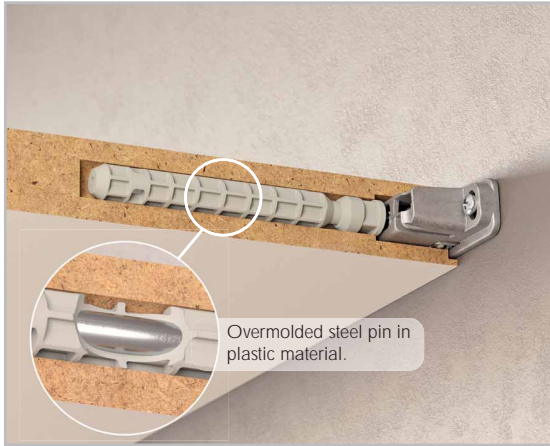


= M5	= PZ2	
ST	= 500 pcs.	
123		
<b>60334030ZN</b>		





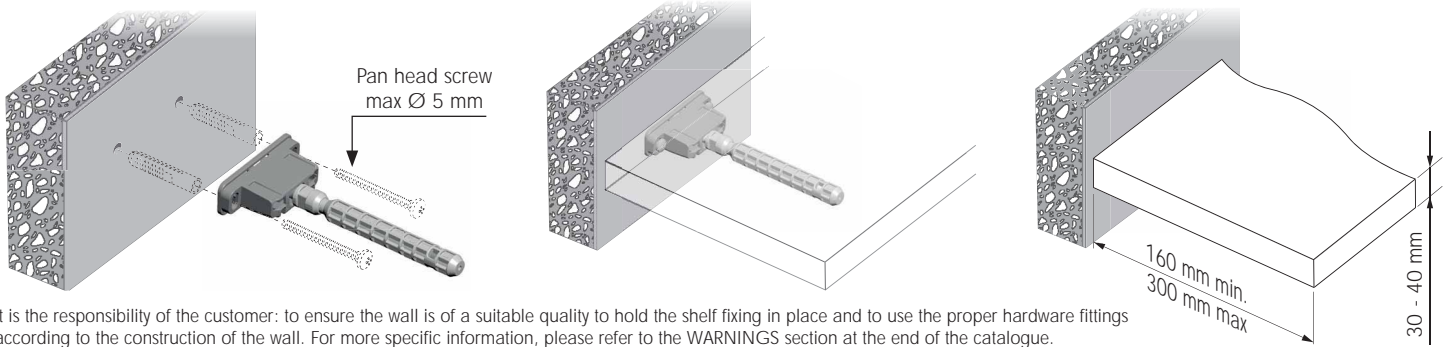
## TRIADE PRO



30-40 mm

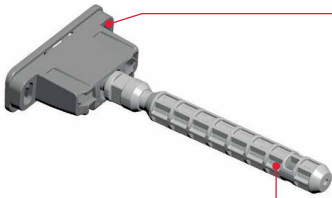
30 kg per pair for shelf 300 mm deep

### SPECIFICATION



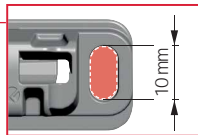
It is the responsibility of the customer: to ensure the wall is of a suitable quality to hold the shelf fixing in place and to use the proper hardware fittings according to the construction of the wall. For more specific information, please refer to the WARNINGS section at the end of the catalogue.

### ADJUSTMENT

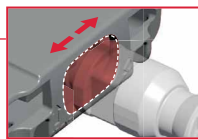


Screw to lock when adjustments are finished.

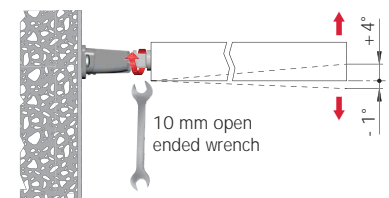
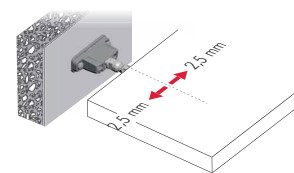
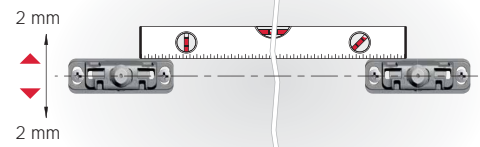
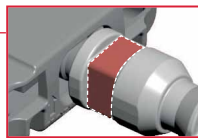
### BRACKET ALIGNMENT



### LATERAL ADJUSTMENT

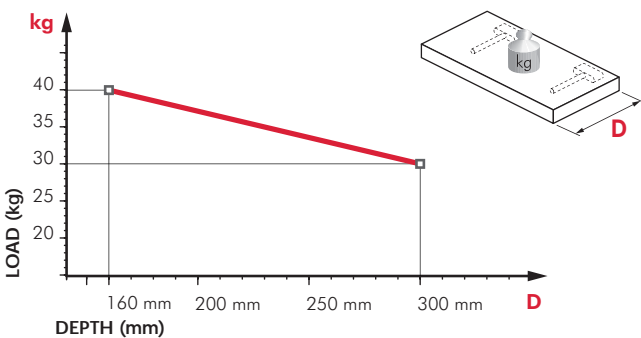


### INCLINATION ADJUSTMENT

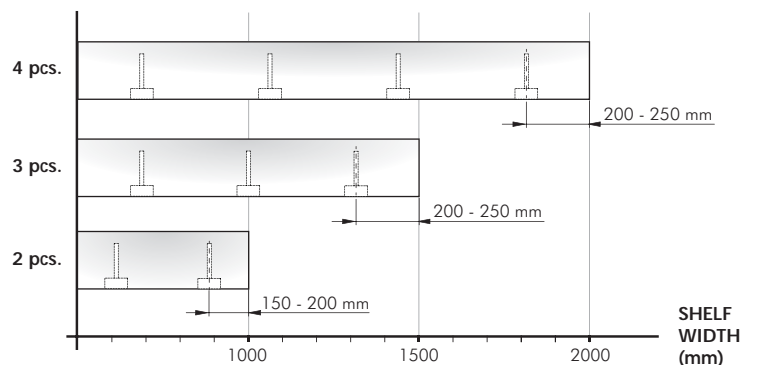


### CAPACITY LOADING CHART

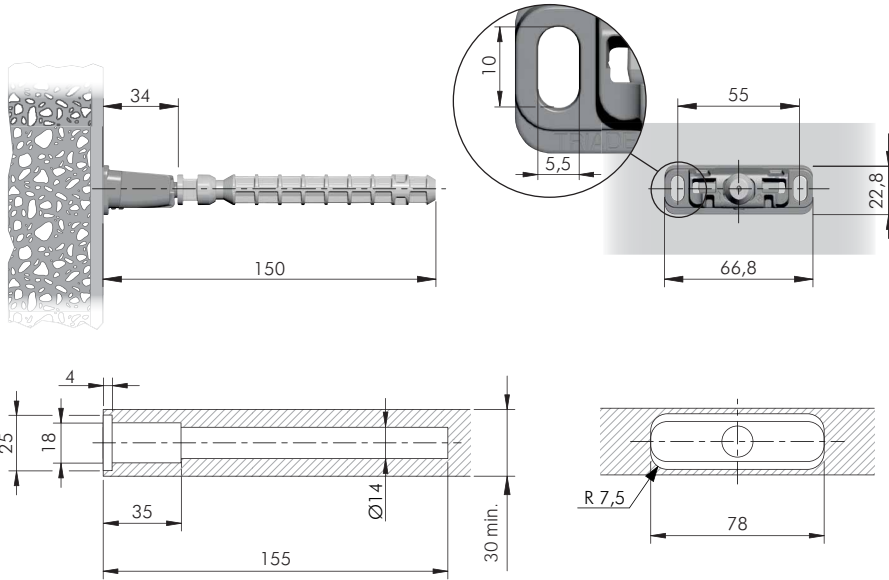
(The figures refer to 2 shelf supports)



### RECOMMENDED NUMBER OF TRIADE PRO PER SHELF

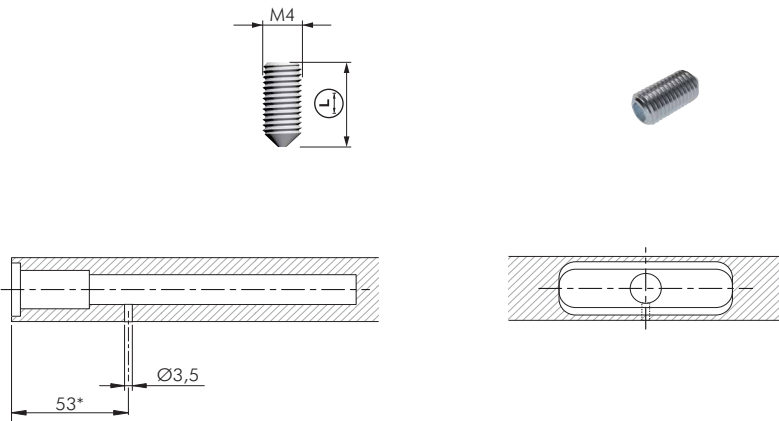




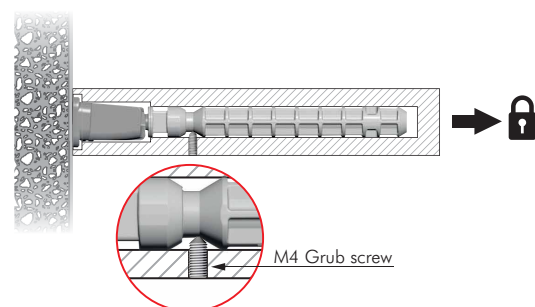
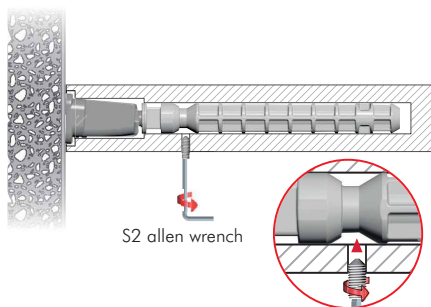


	= PZ2		= open ended wrench 10 mm
	ZA		ST
	EP		= 50 pcs.
	1623002000		

## OPTIONAL DRILLING FOR SECURITY LOCKING

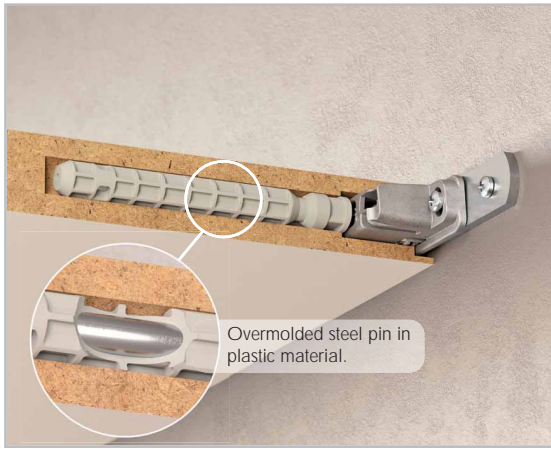


	= S2		= 100 pcs.
	ST		L
	21105180ZN		10
	21105220ZN		16
			Z
			30
			40

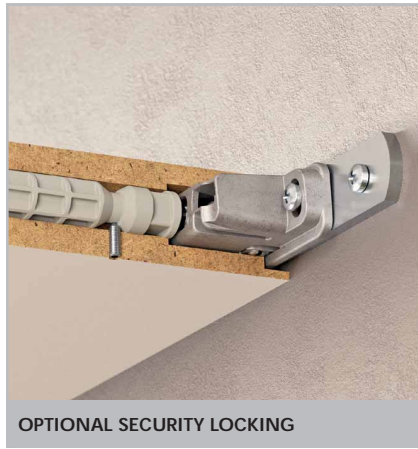




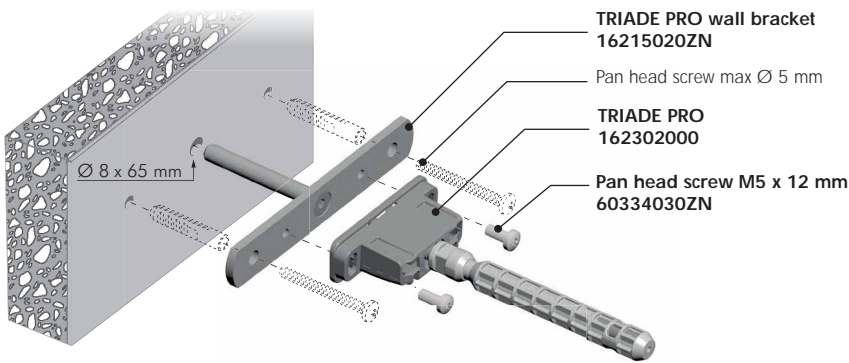
## TRIADE PRO AND BRACKET



Overmolded steel pin in plastic material.



OPTIONAL SECURITY LOCKING

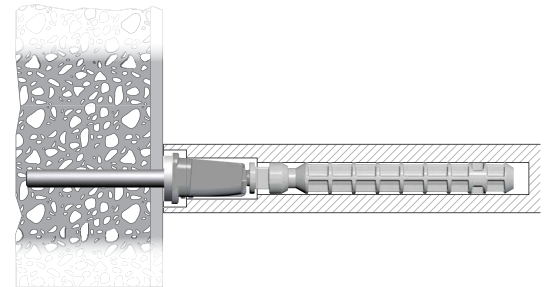


TRIADE PRO wall bracket  
16215020ZN

Pan head screw max Ø 5 mm

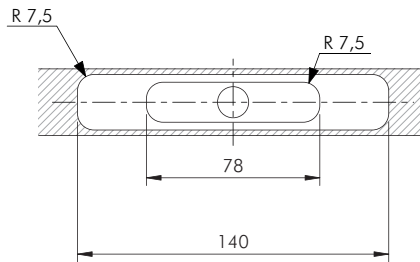
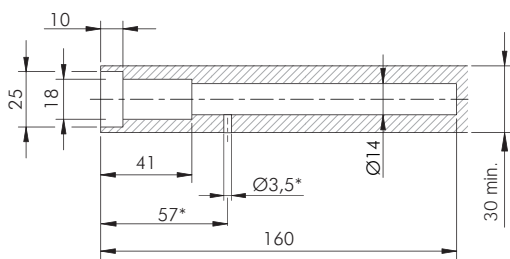
TRIADE PRO  
162302000

Pan head screw M5 x 12 mm  
60334030ZN

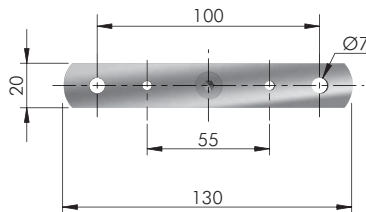
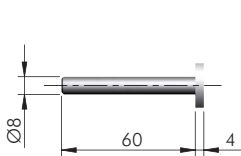


The wall bracket guarantees a more stable fixing to the wall.

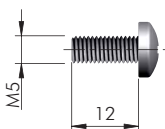
It is the responsibility of the customer: to ensure the wall is of a suitable quality to hold the shelf fixing in place and to use the proper hardware fittings according to the construction of the wall. For more specific information, please refer to the WARNINGS section at the end of the catalogue.



\* Optional drilling for security locking with M4 grub screw placed underneath in alignment with the cavity. For details refer to Triade Pro section.



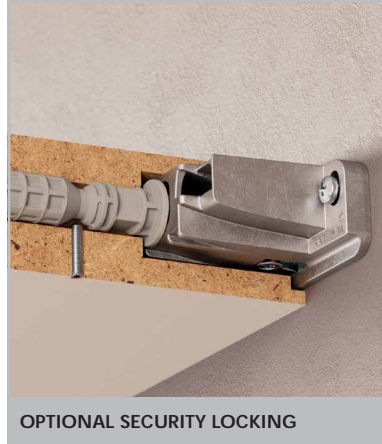
## FIXING ACCESSORY



ST	= 100 pcs.
<b>16215020ZN</b>	

= M5	= PZ2	
ST	= 500 pcs.	
<b>60334030ZN</b>		

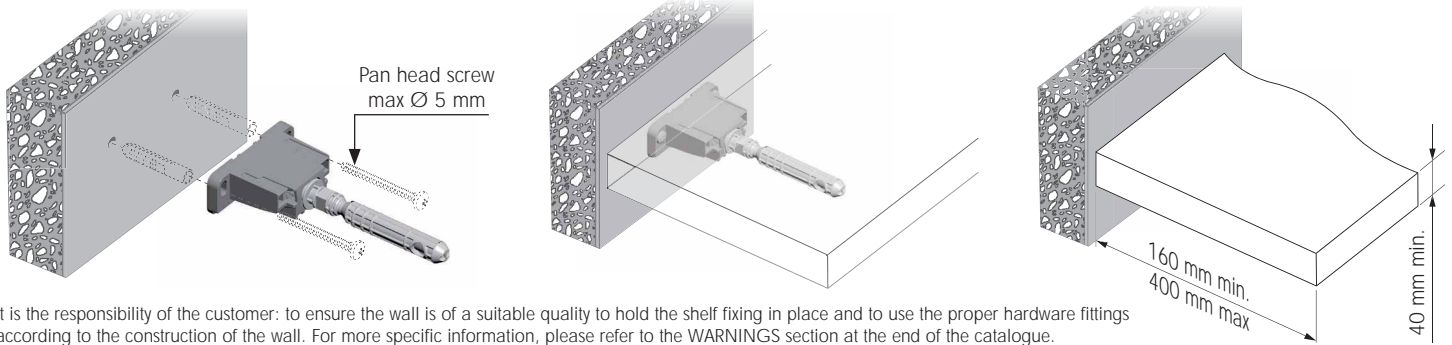
## TRIADE PRO MAXI



40 mm min.

40 kg per pair for shelf 400 mm deep

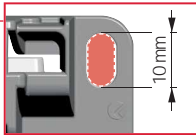
### SPECIFICATION



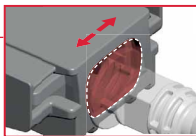
It is the responsibility of the customer: to ensure the wall is of a suitable quality to hold the shelf fixing in place and to use the proper hardware fittings according to the construction of the wall. For more specific information, please refer to the WARNINGS section at the end of the catalogue.

### ADJUSTMENT

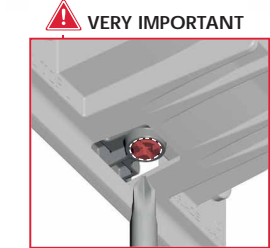
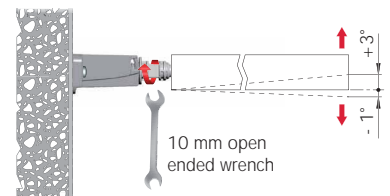
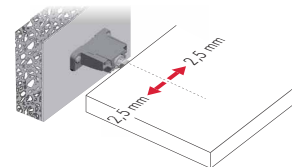
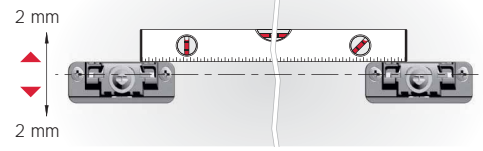
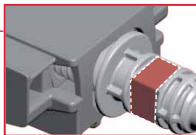
### BRACKET ALIGNMENT



### LATERAL ADJUSTMENT



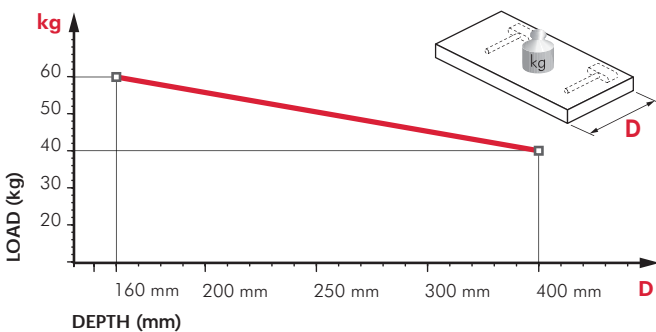
### INCLINATION ADJUSTMENT



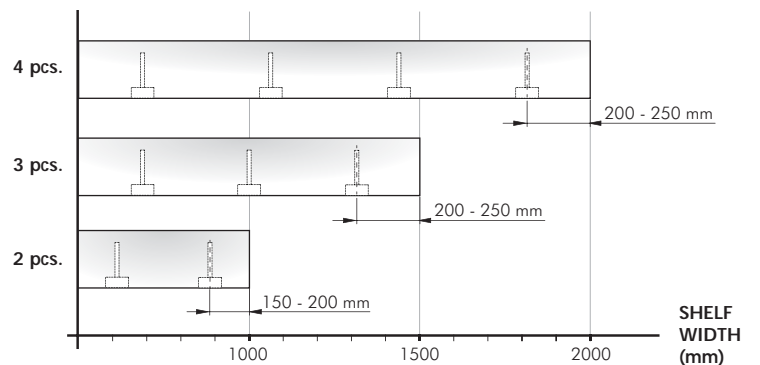
Screw to lock when adjustments are finished.

### CAPACITY LOADING CHART

(The figures refer to 2 shelf supports)



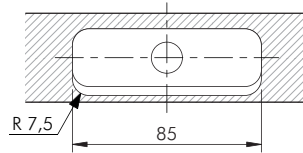
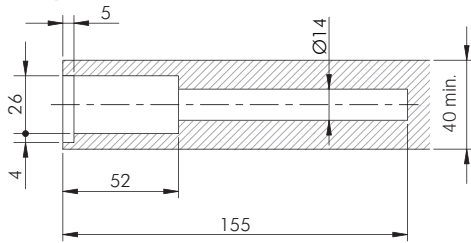
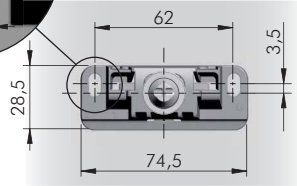
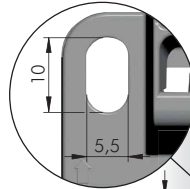
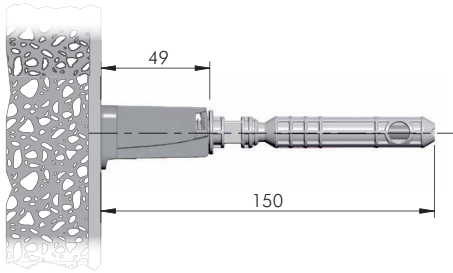
### RECOMMENDED NUMBER OF TRIADE PRO MAXI PER SHELF





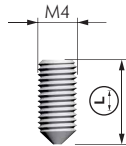
**VERY IMPORTANT**

Centre of the hole is shifted 3,5 mm upwards. Please keep in mind when levelling the shelf.

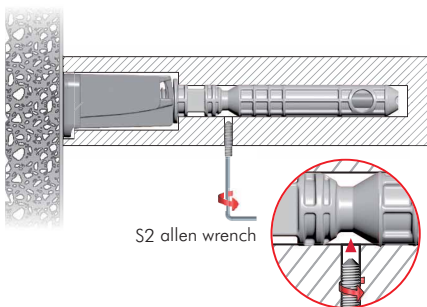
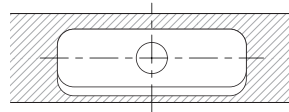
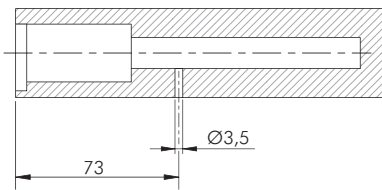


	= PZ2		= open ended wrench 12 mm
			= 50 pcs.
	1623003000		

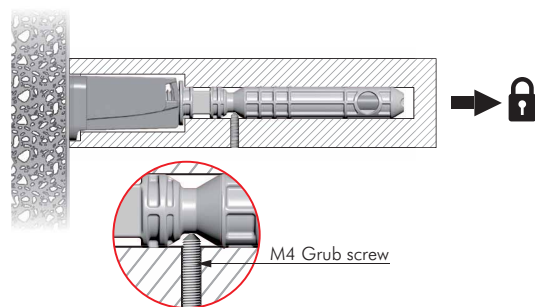
## OPTIONAL DRILLING FOR SECURITY LOCKING



	= S2		= 100 pcs.
<b>21105220ZN</b>		16	40
<b>21105060ZN</b>		20	50

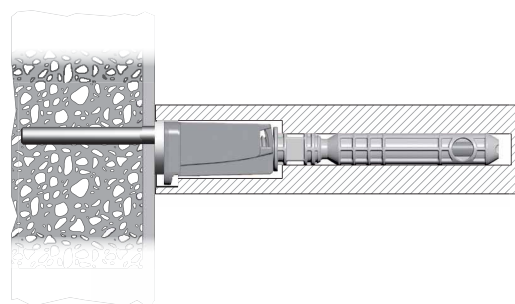
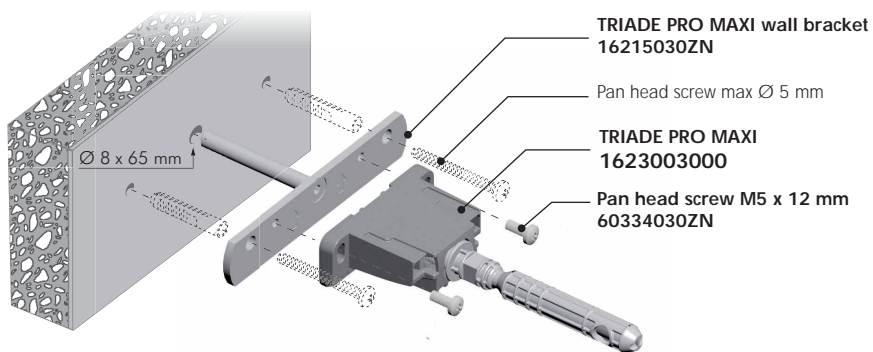
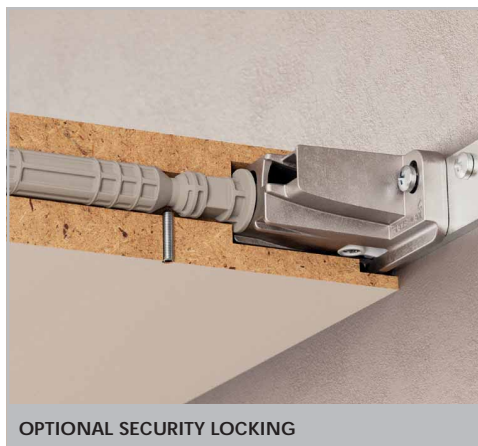
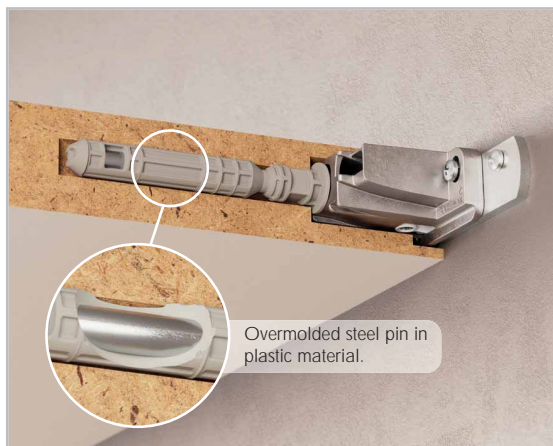


S2 allen wrench



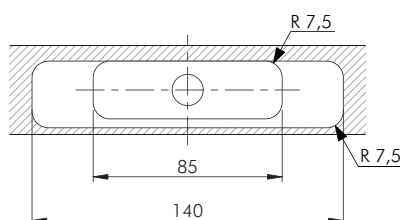
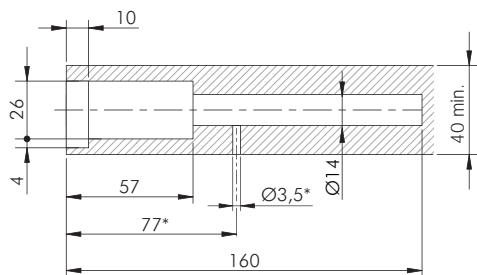
M4 Grub screw

## TRIADE PRO MAXI AND BRACKET

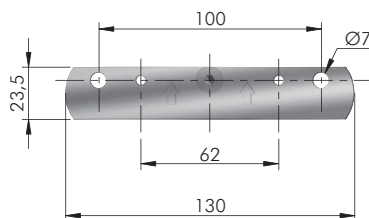
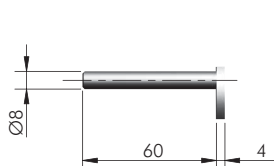


The wall bracket guarantees a more stable fixing to the wall.

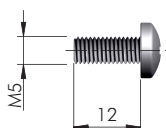
It is the responsibility of the customer: to ensure the wall is of a suitable quality to hold the shelf fixing in place and to use the proper hardware fittings according to the construction of the wall. For more specific information, please refer to the WARNINGS section at the end of the catalogue.



\* Optional drilling for security locking with M4 grub screw placed underneath in alignment with the cavity. For details refer to Triade Pro Maxi section.



## FIXING ACCESSORY



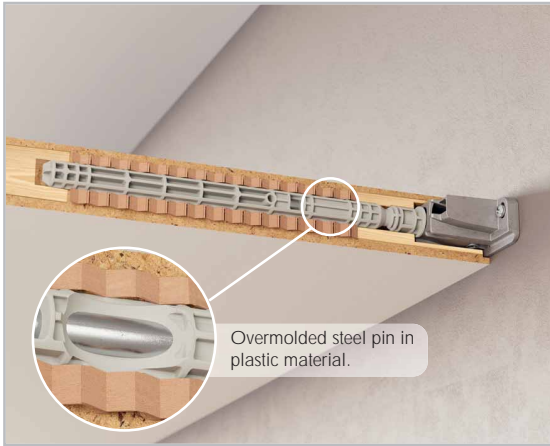
ST	= 100 pcs.
<b>16215030ZN</b>	

= M5	= PZ2	
ST	= 500 pcs.	
<b>60334030ZN</b>		





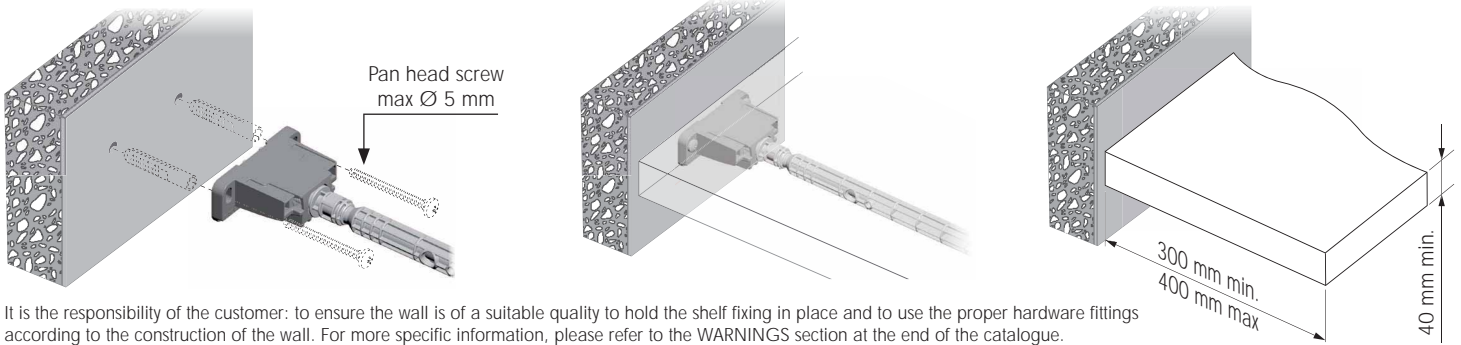
## TRIADE PRO XXL



40 mm min.

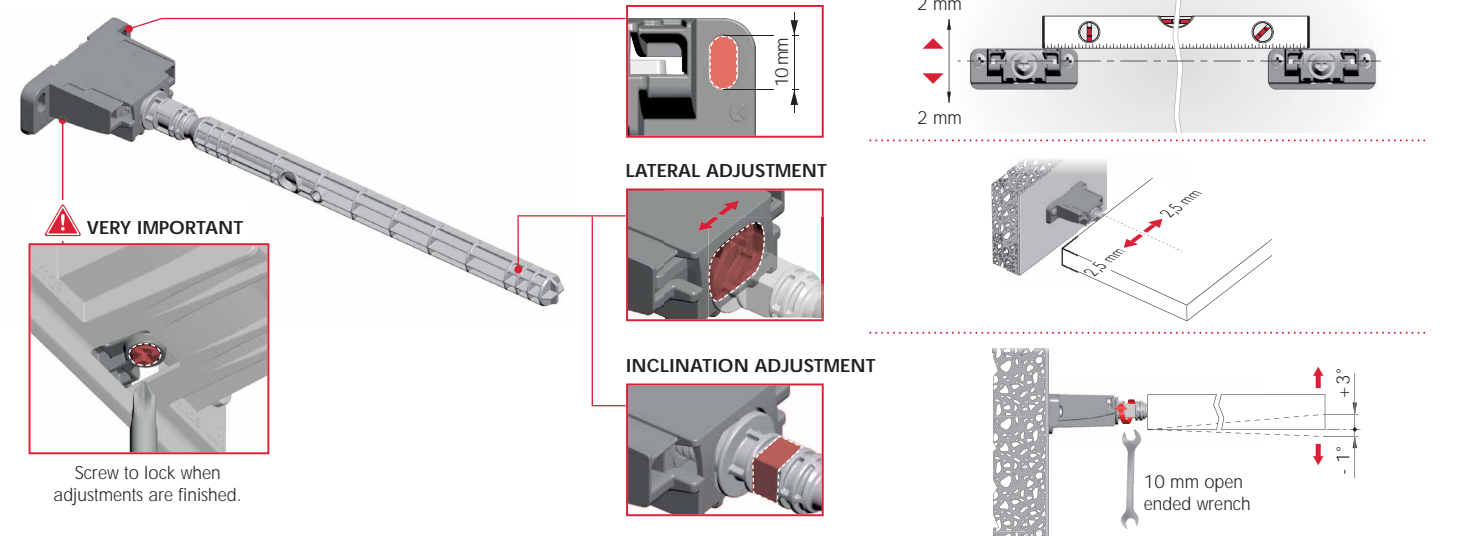
40 kg per pair  
for shelf 400 mm deep

### SPECIFICATION



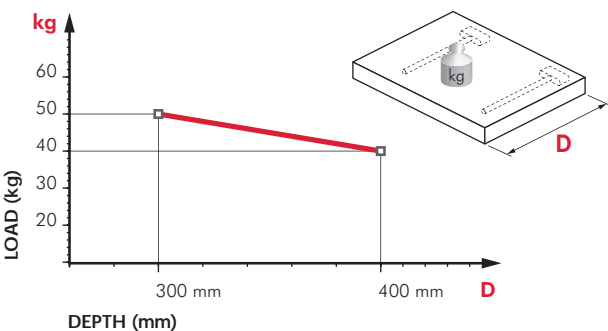
It is the responsibility of the customer: to ensure the wall is of a suitable quality to hold the shelf fixing in place and to use the proper hardware fittings according to the construction of the wall. For more specific information, please refer to the WARNINGS section at the end of the catalogue.

### ADJUSTMENT

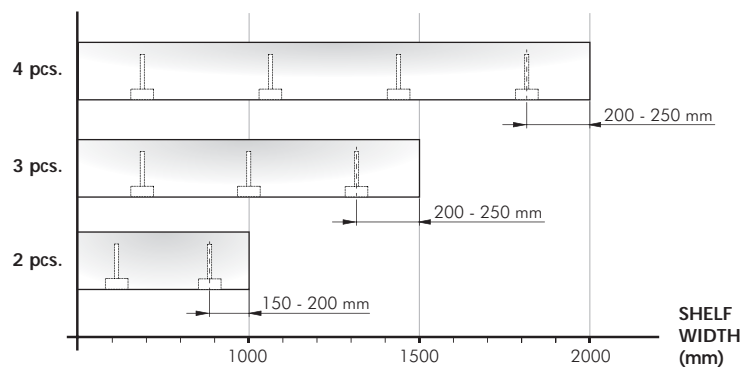


### CAPACITY LOADING CHART

(The figures refer to 2 shelf supports)

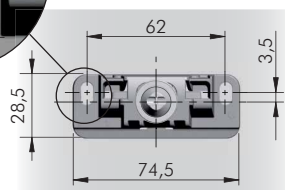
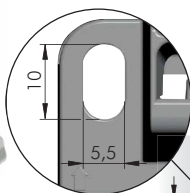
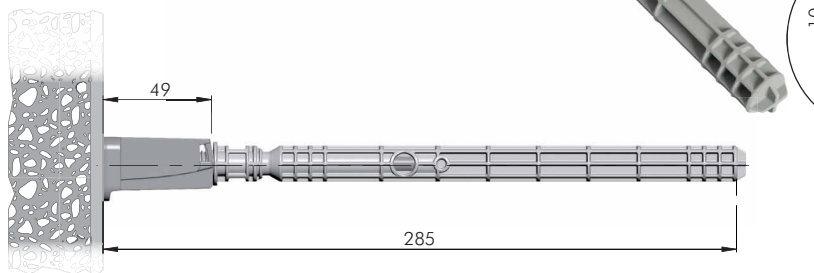


### RECOMMENDED NUMBER OF TRIADE PRO XXL PER SHELF

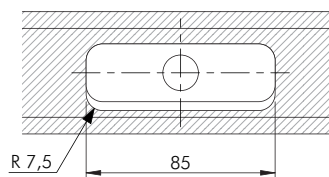
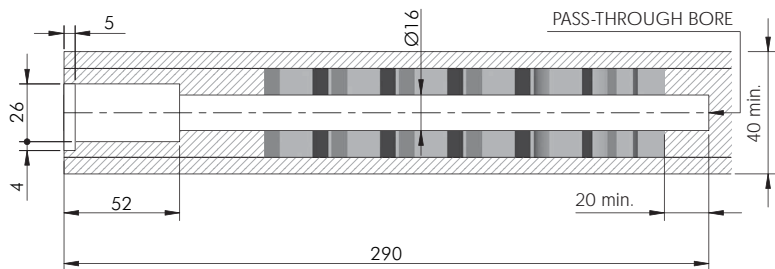




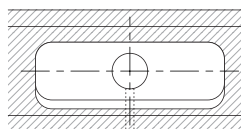
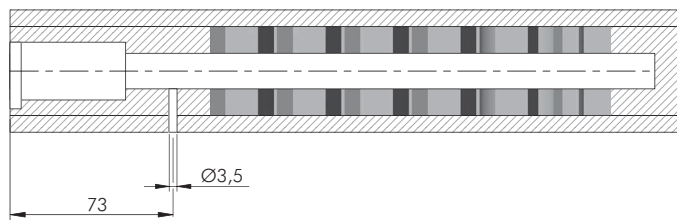
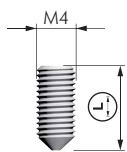
	= PZ2		= open ended wrench 12 mm
			= 25 pcs.
<b>1623004000</b>			



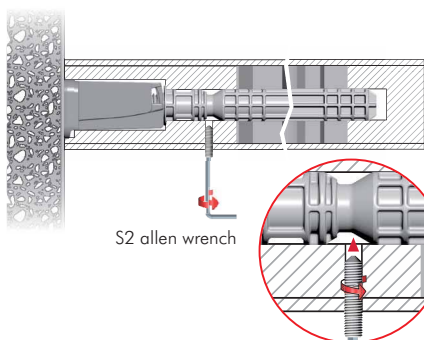
**VERY IMPORTANT**  
Centre of the hole is shifted 3,5 mm upwards. Please keep in mind when levelling the shelf.



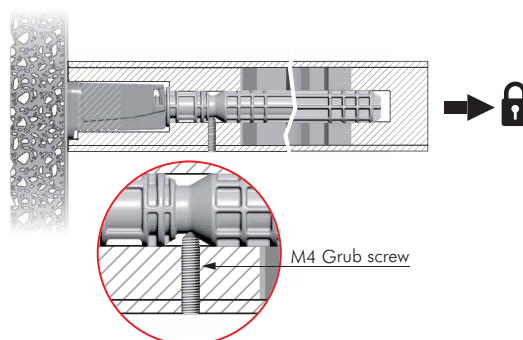
## OPTIONAL DRILLING FOR SECURITY LOCKING



	= S2		= 100 pcs.
<b>21105190ZN</b>	14	40	
<b>21105060ZN</b>	20	50	



S2 allen wrench

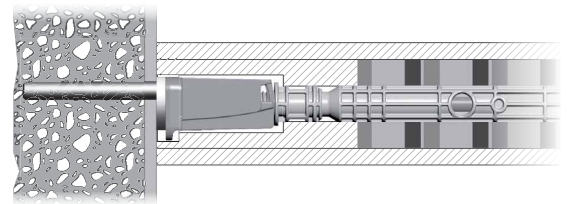
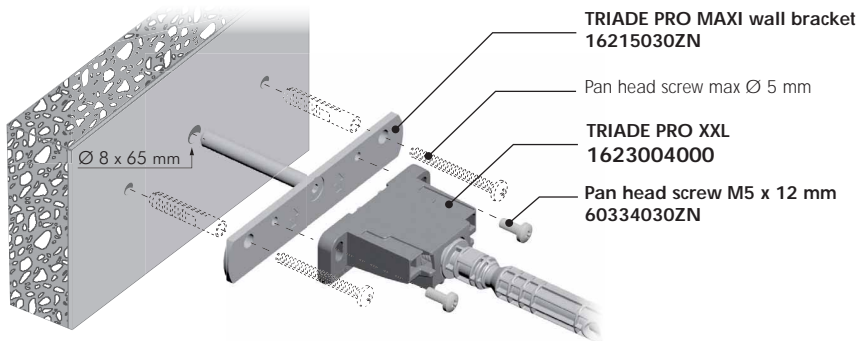
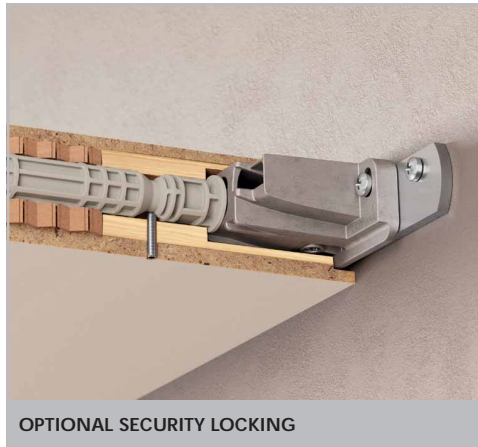
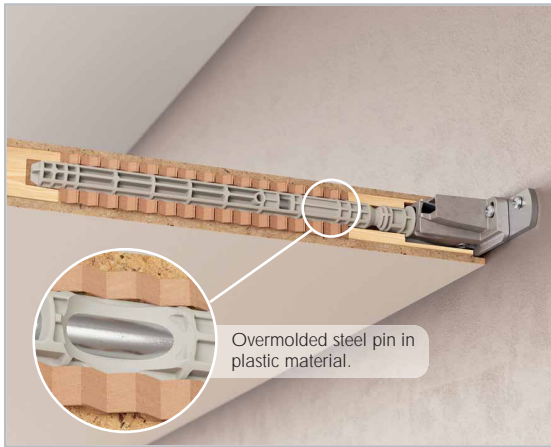


M4 Grub screw

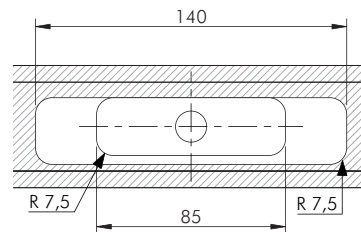
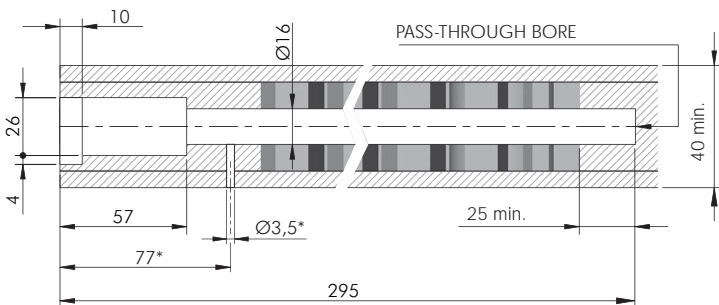




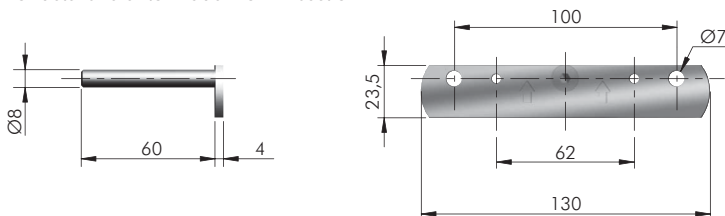
## TRIADE PRO XXL AND BRACKET



It is the responsibility of the customer: to ensure the wall is of a suitable quality to hold the shelf fixing in place and to use the proper hardware fittings according to the construction of the wall. For more specific information, please refer to the WARNINGS section at the end of the catalogue.



\* Optional drilling for security locking with M4 grub screw placed underneath in alignment with the cavity. For details refer to Triade Pro XXL section.



## FIXING ACCESSORY



ST

123

16215030ZN

100 pcs.

M5

PZ2

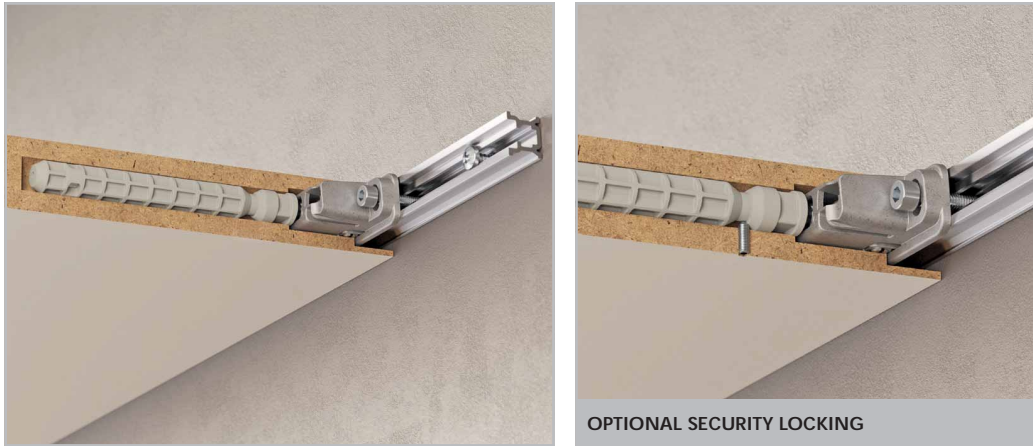
ST

123

60334030ZN

500 pcs.

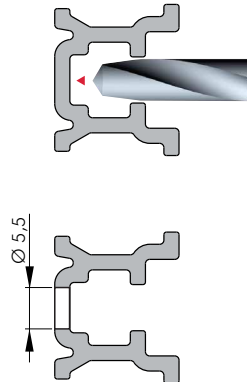
## TRIADE PRO AND TRIADE PRO MINI ALUMINIUM PROFILES



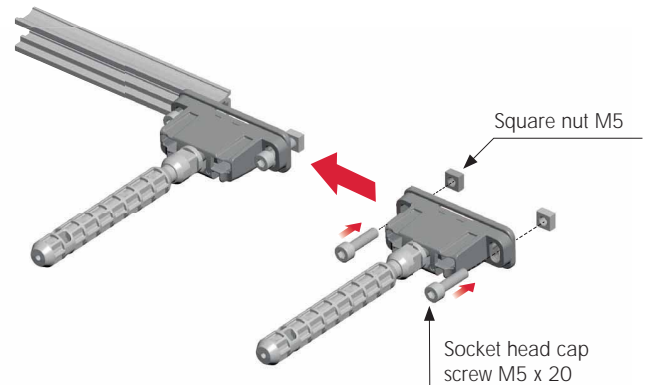
### ALUMINIUM PROFILE DRILLING



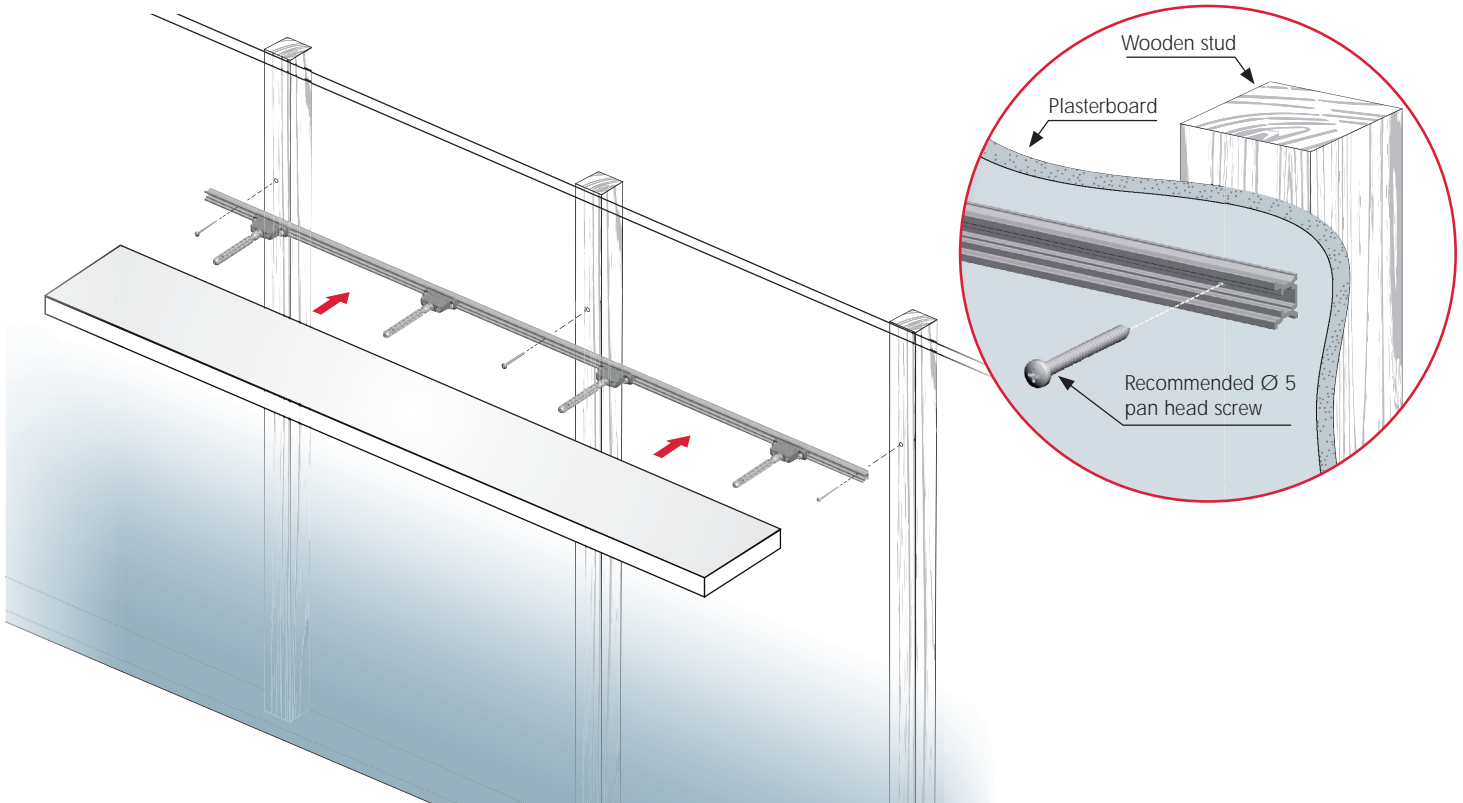
### DRILLING DETAILS



### TRIADE PRO INSERTION INTO THE ALUMINIUM PROFILE

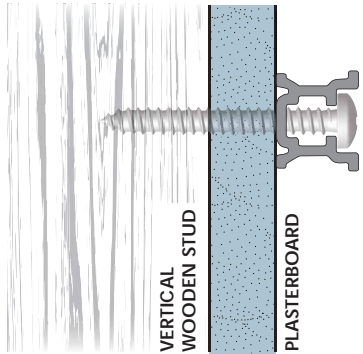


### INSTALLATION ON THE WALL AND SHELF INSERTING

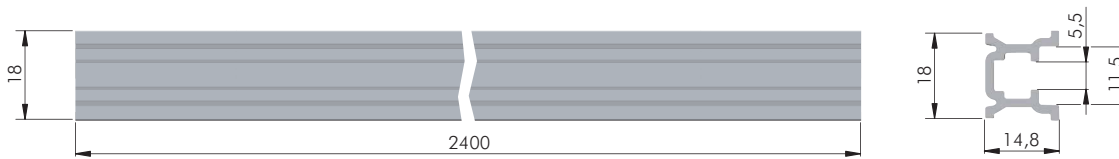




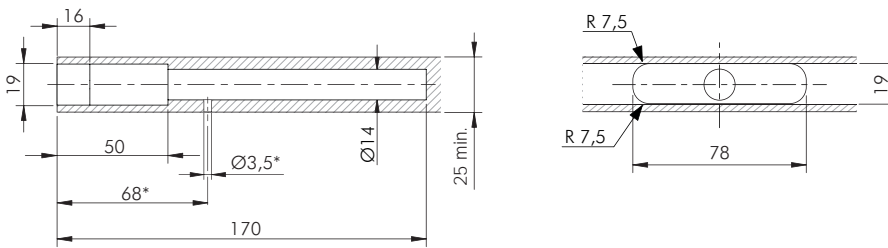
## TRIADE PRO MINI AND TRIADE PRO ALUMINIUM PROFILE



AL	= 24 pcs.
123	
<b>690240000</b>	
Further profile lengths available on request.	

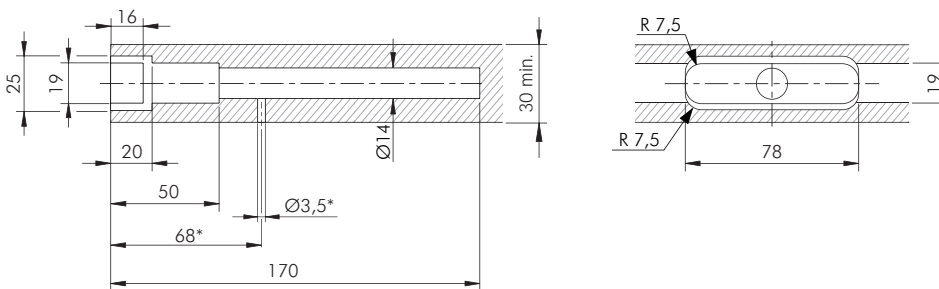


### DRILLING PLAN FOR THE APPLICATION WITH TRIADE PRO MINI



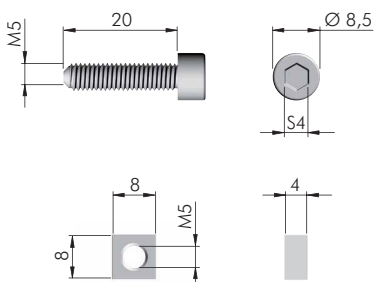
\* Optional drilling for security locking with M4 grub screw placed underneath in alignment with the cavity. For details refer to Triade Pro Mini section.

### DRILLING PLAN FOR THE APPLICATION WITH TRIADE PRO



\* Optional drilling for security locking with M4 grub screw placed underneath in alignment with the cavity. For details refer to Triade Pro section.

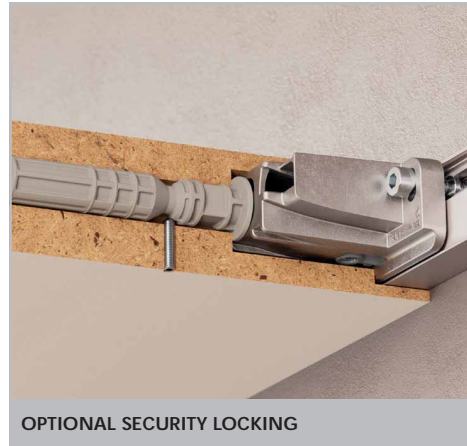
## ACCESSORY TO FIX ALL TRIADE PRO VERSIONS TO ALU PROFILES



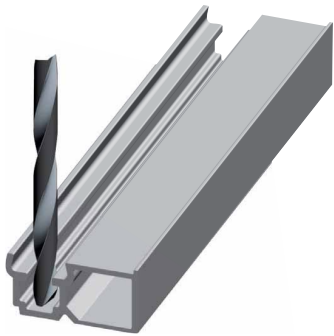
ST	= on request
123	
<b>C010001328</b>	

NOTE: Set of 4 x Square nuts and 4 x Socket-head cap screws.

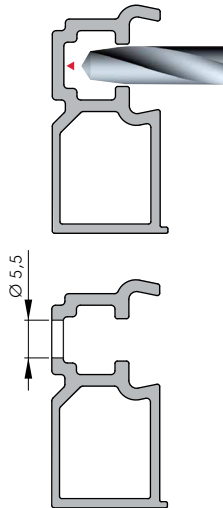
## TRIADE PRO MAXI AND XXL ALUMINIUM PROFILES



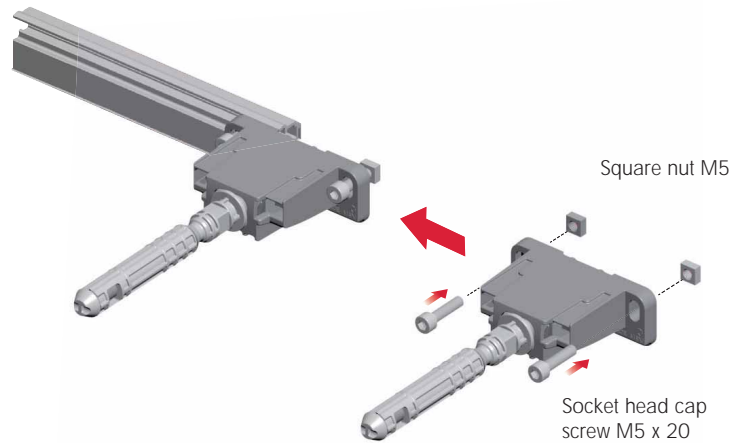
ALUMINIUM PROFILE DRILLING



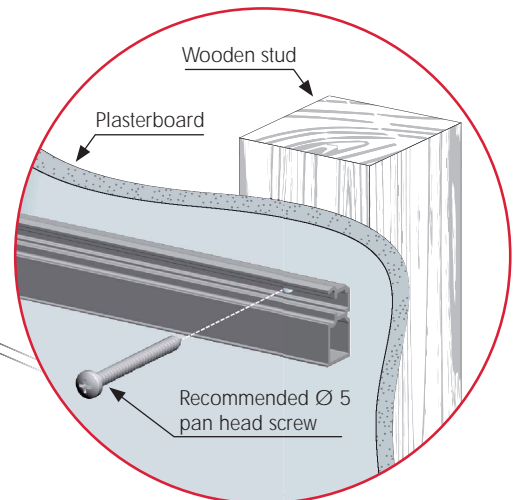
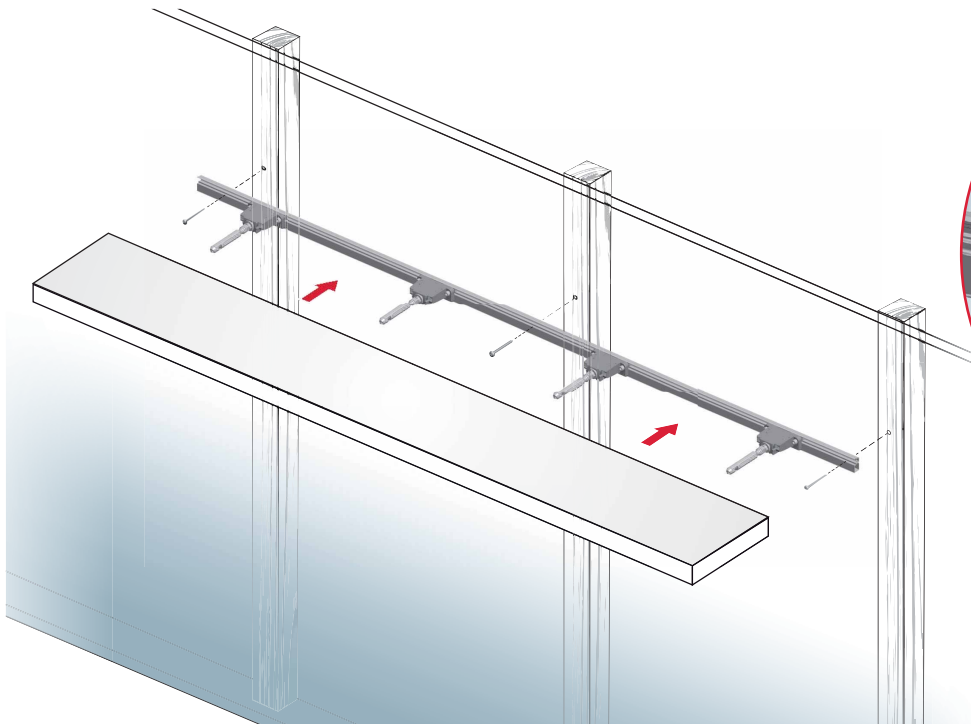
DRILLING DETAILS



TRIADE INSERTION INTO THE ALUMINIUM PROFILE

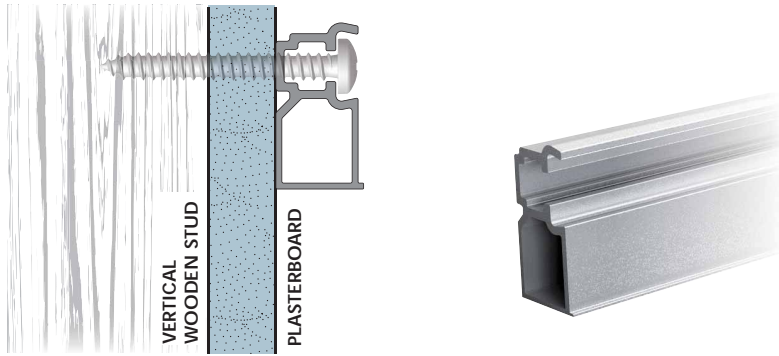


INSTALLATION ON THE WALL AND SHELF INSERTING





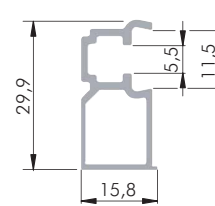
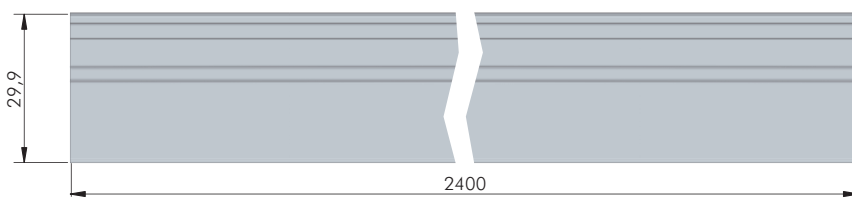
## TRIADE PRO MAXI AND TRIADE PRO XXL ALUMINIUM PROFILE



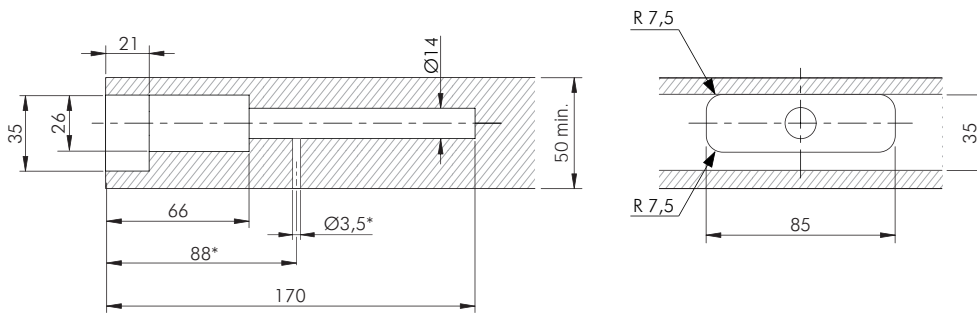
AL = 12 pcs.

691240000

Further profile lengths available on request.

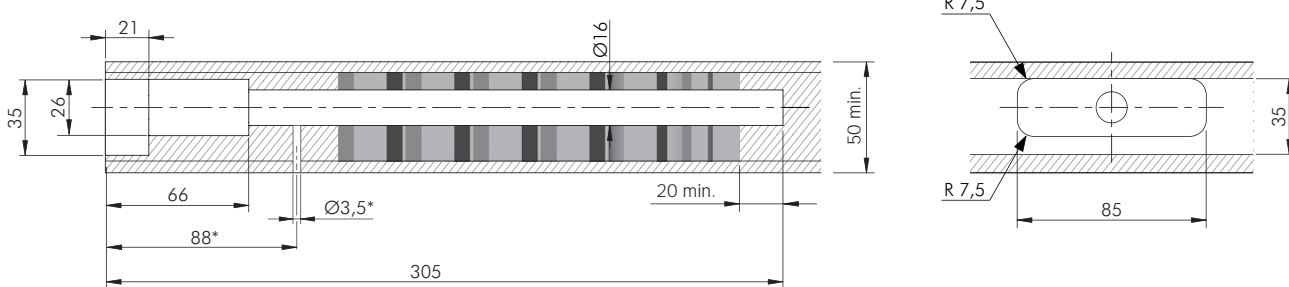


### DRILLING PLAN FOR THE APPLICATION WITH TRIADE PRO MAXI



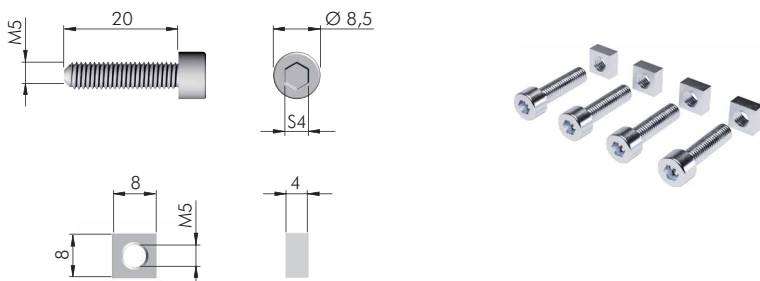
\* Optional drilling for security locking with M4 grub screw placed underneath in alignment with the cavity. For details refer to Triade Pro Maxi section.

### DRILLING PLAN FOR THE APPLICATION WITH TRIADE PRO XXL



\* Optional drilling for security locking with M4 grub screw placed underneath in alignment with the cavity. For details refer to Triade Pro XXL section.

## ACCESSORY TO FIX ALL TRIADE PRO VERSIONS TO ALU PROFILES



ST = on request

C010001328

NOTE: Set of 4 x Square nuts and 4 x Socket-head cap screws.

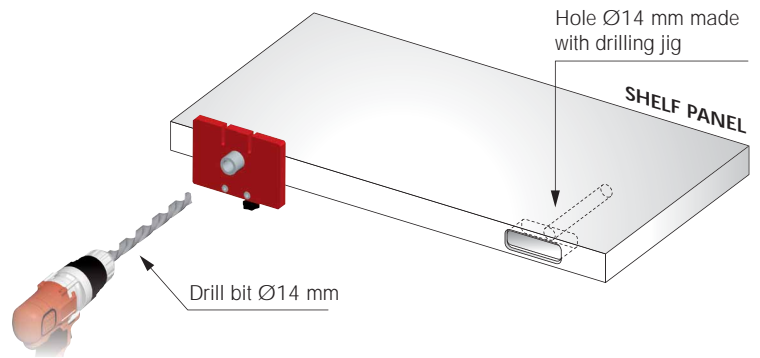
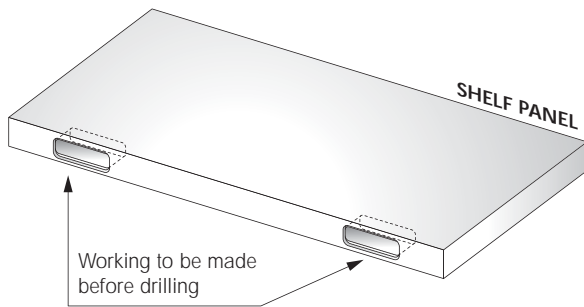


## DRILLING JIG FOR TRIADE PRO

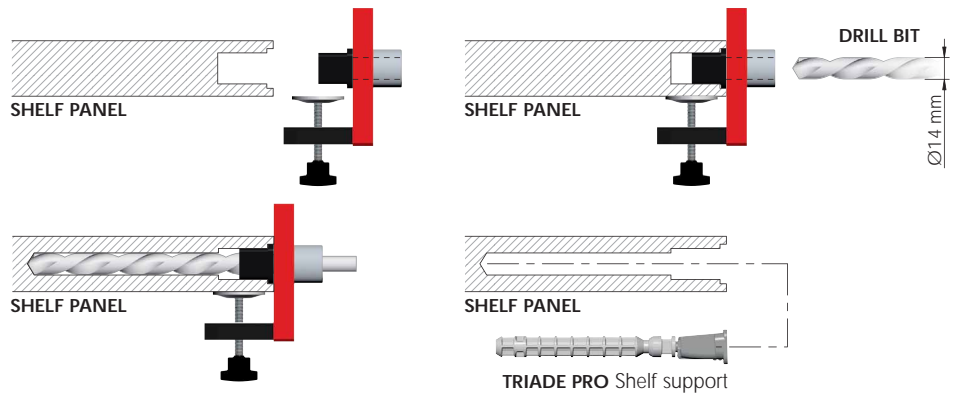
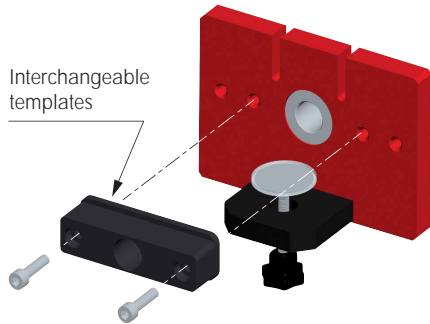


50 mm MAX 

### GENERAL SPECIFICATIONS



### APPLICATION



### TEMPLATES AVAILABLE

TEMPLATE FOR TRIADE PRO MINI Part no. YOJG013500	TEMPLATE FOR TRIADE PRO Part no. YOJG013600	TEMPLATE FOR TRIADE PRO MAXI Part no. YOJG013700	TEMPLATE FOR TRIADE PRO MINI AND TRIADE PRO ALUMINIUM PROFILE Part no. YOJG013800	TEMPLATE FOR TRIADE PRO MAXI ALUMINIUM PROFILE Part no. YOJG013900
				
Triade Pro Mini	Triade Pro	Triade Pro Maxi	Alu. profile for Triade Pro Mini and Triade Pro	Alu. profile for Triade Pro Maxi
Triade Pro Mini and Bracket	Triade Pro and Bracket	Triade Pro Maxi and Bracket	Triade Pro Mini Triade Pro	Triade Pro Maxi



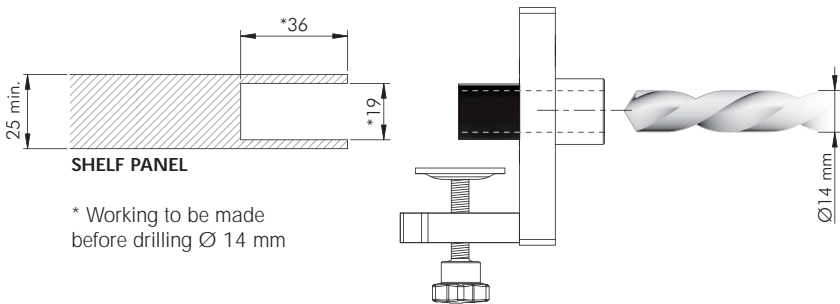
## TRIADE PRO DRILLING JIG



AL	ST	EP	= on request
<b>YOJG0130RO</b>			

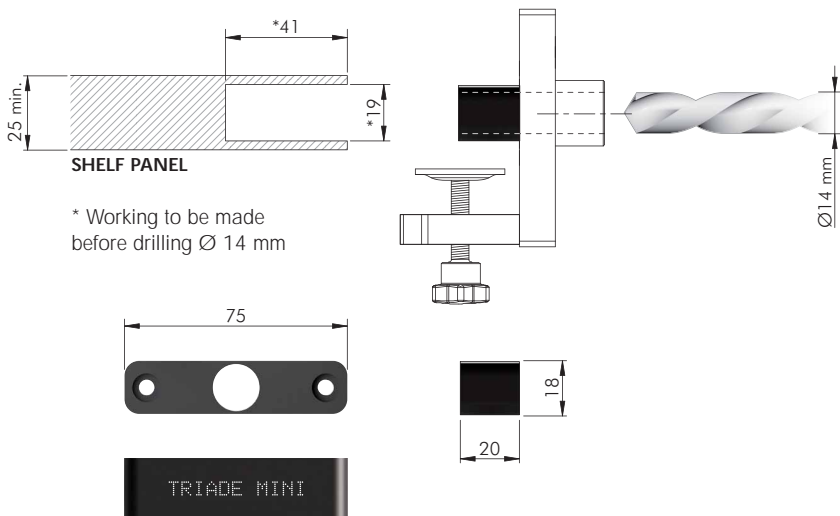
## TRIADE PRO DRILLING JIG TEMPLATES

### TRIADE PRO MINI DRILLING PLAN



EP	= on request
<b>YOJG013500</b>	

### TRIADE PRO MINI AND BRACKET DRILLING PLAN

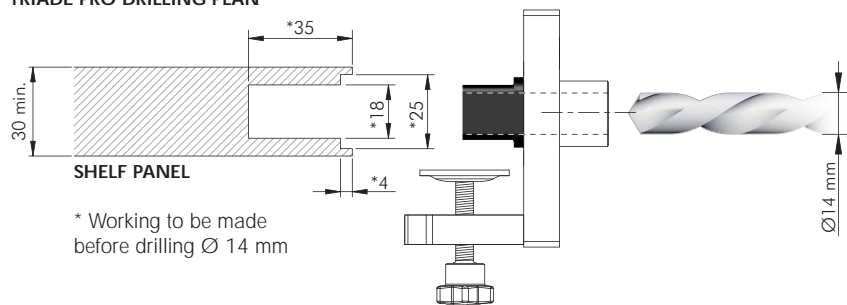


NOTE: The product code includes the fixing screws.





### TRIADE PRO DRILLING PLAN

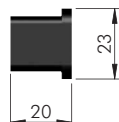
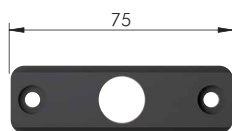
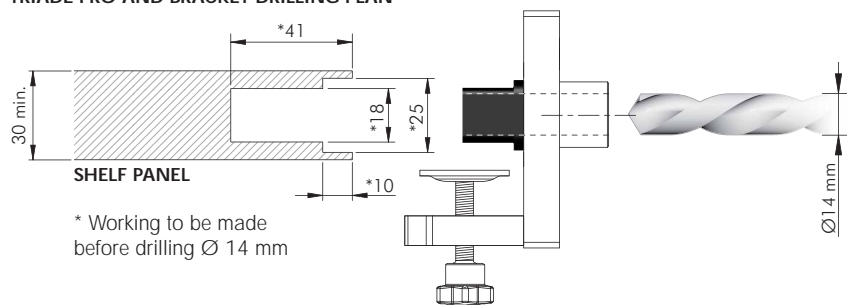


EP	= on request
123	
<b>YOJG013600</b>	

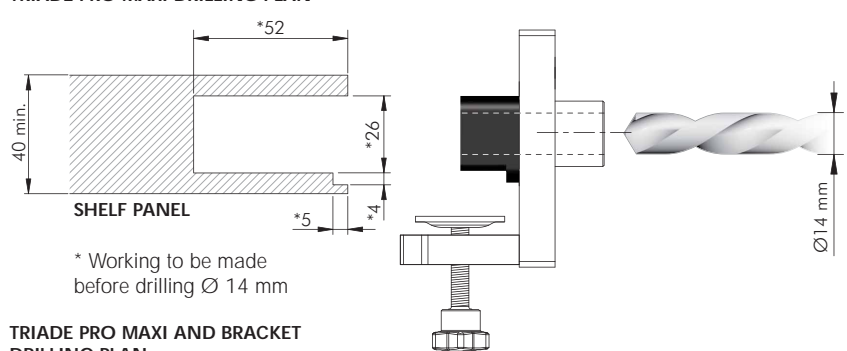
NOTE: The product code includes the fixing screws.



### TRIADE PRO AND BRACKET DRILLING PLAN



### TRIADE PRO MAXI DRILLING PLAN

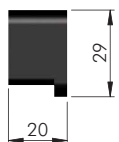
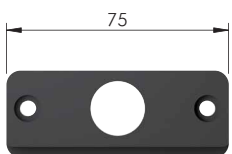
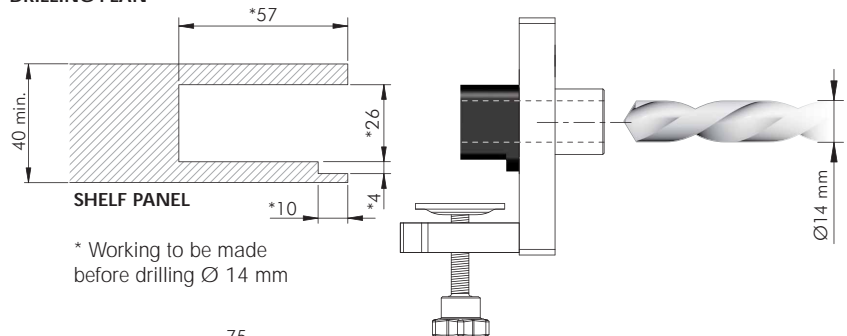


EP	= on request
123	
<b>YOJG013700</b>	

NOTE: The product code includes the fixing screws.

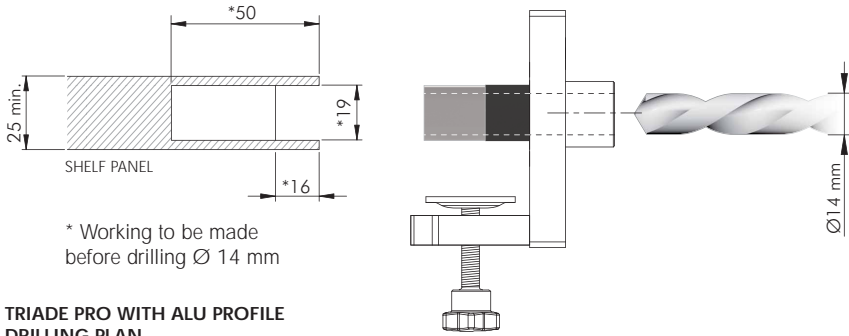


### TRIADE PRO MAXI AND BRACKET DRILLING PLAN



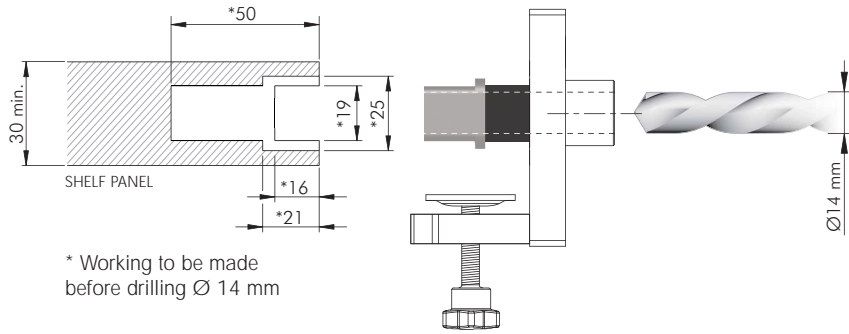


**TRIADE PRO MINI WITH ALU PROFILE DRILLING PLAN**

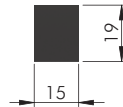
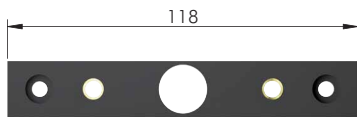


\* Working to be made before drilling Ø 14 mm

**TRIADE PRO WITH ALU PROFILE DRILLING PLAN**



\* Working to be made before drilling Ø 14 mm

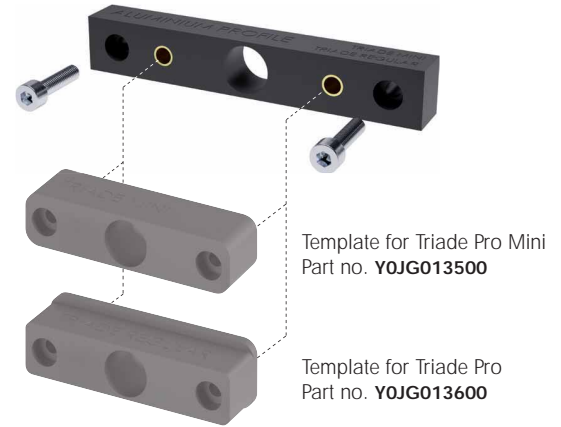


ALUMINIUM PROFILE TRIADE MINI TRIADE REGULAR

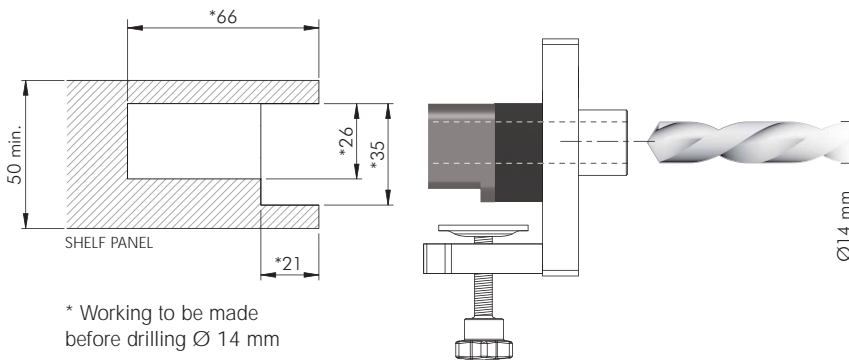
EP = on request

123

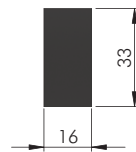
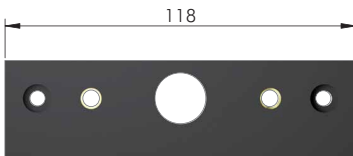
**Y0JG013800**



**TRIADE PRO MAXI WITH ALU PROFILE DRILLING PLAN**



\* Working to be made before drilling Ø 14 mm



ALUMINIUM PROFILE TRIADE MAXI

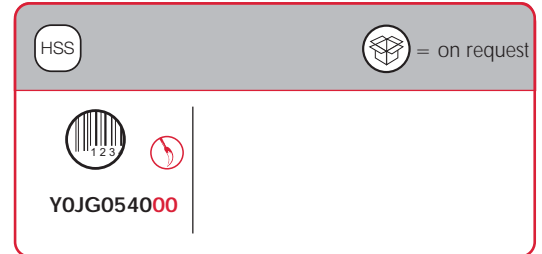
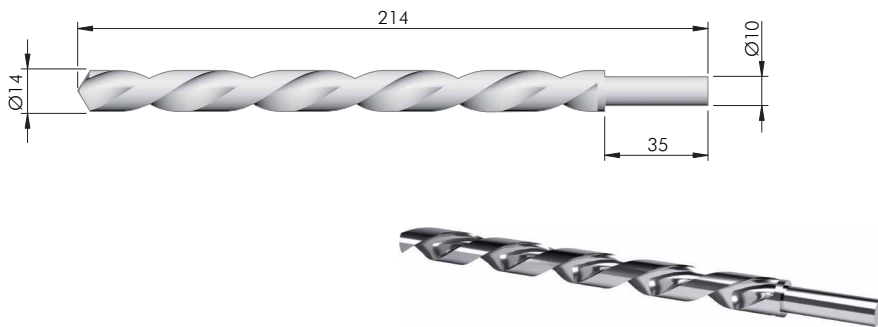
EP = on request

123

**Y0JG013900**



## DRILL BIT



NOTE: For drilling jig we recommend to use precision-ground steel drill bit HSS-G.

## COMPLETE KIT DRILLING JIG FOR TRIADE PRO

CONTENT OF THE CASE:

Part no.	Part no.
YOJG0130RO	YOJG0133RO
YOJG013500	YOJG055000
YOJG013600	YOJG054000
YOJG013700	YOJG054100
YOJG013800	
YOJG013900	

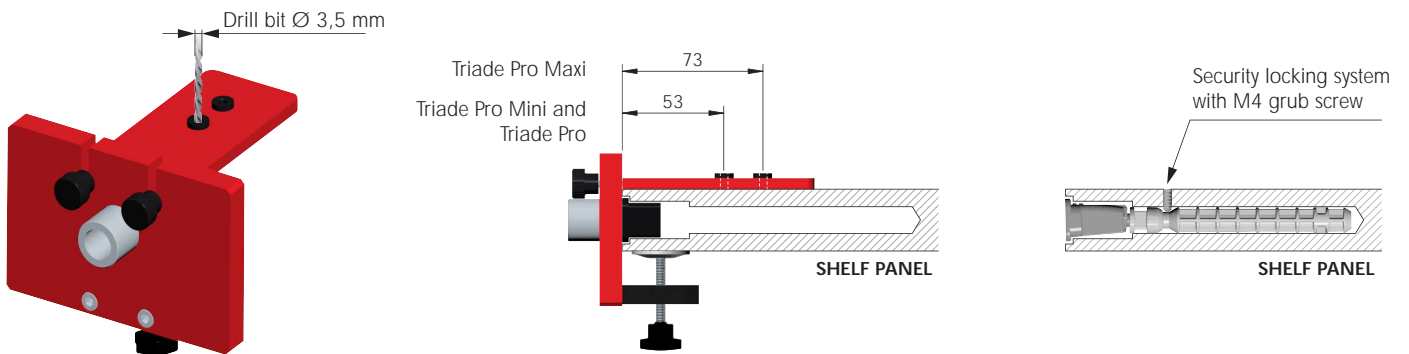
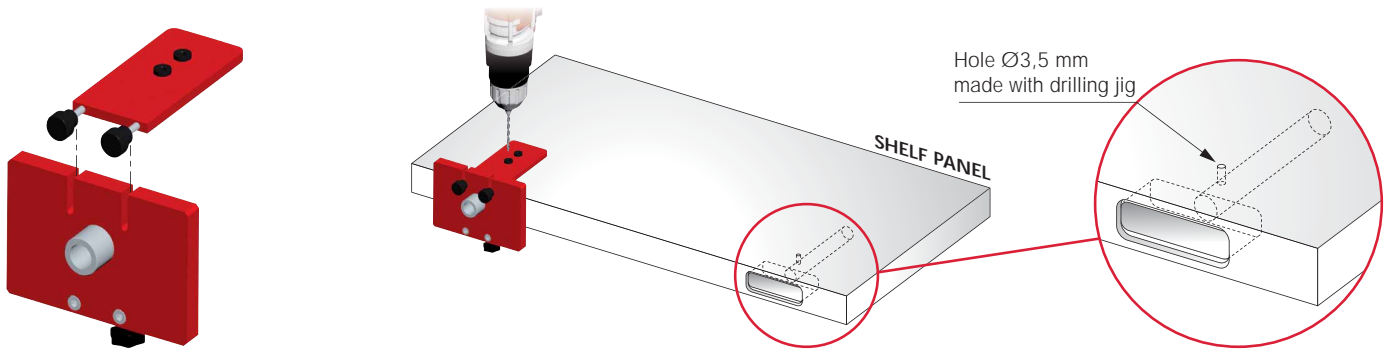




## TRIADE PRO DRILLING JIG INSERT FOR SECURITY LOCKING



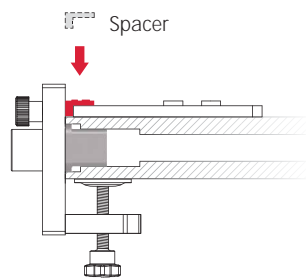
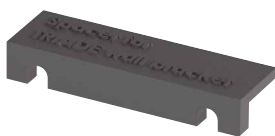
### GENERAL SPECIFICATIONS



### SPACERS AVAILABLE

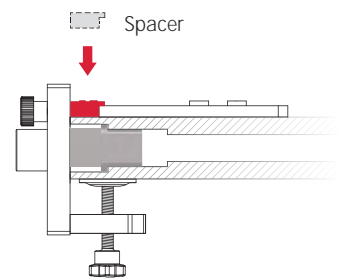
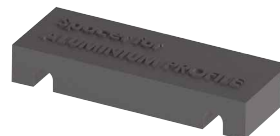
#### SPACER FOR TRIADE PRO WALL BRACKETS

Part no. YOJG054900

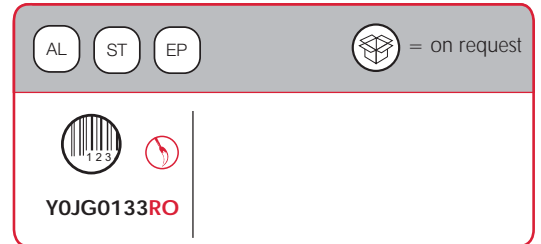


#### SPACER FOR TRIADE PRO ALUMINIUM PROFILES

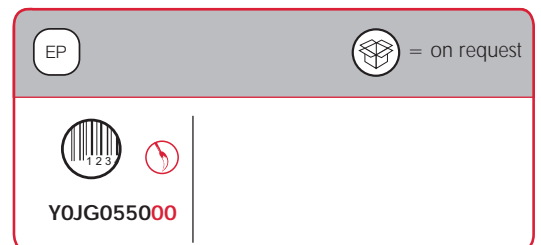
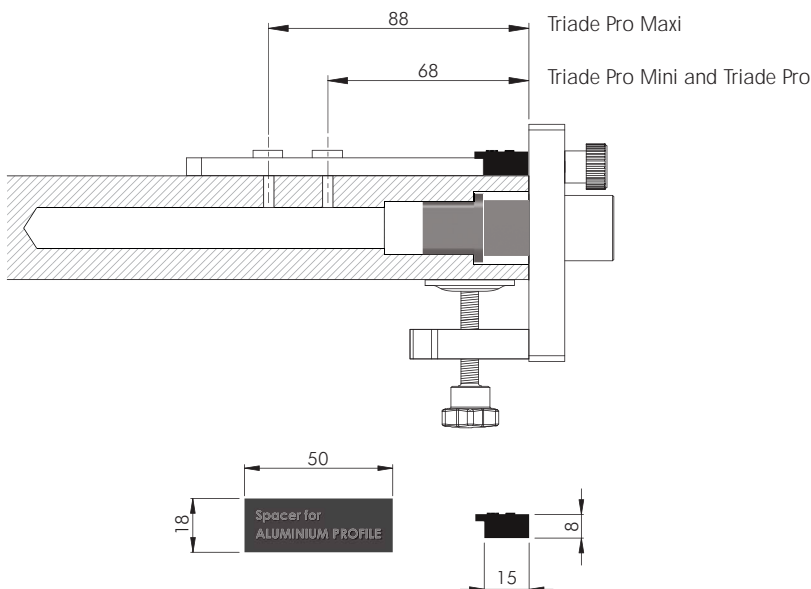
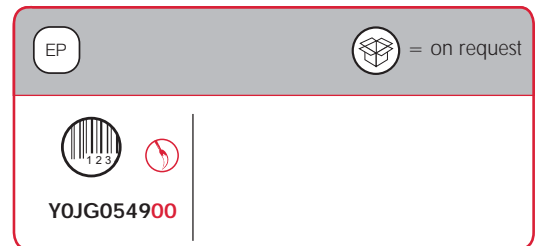
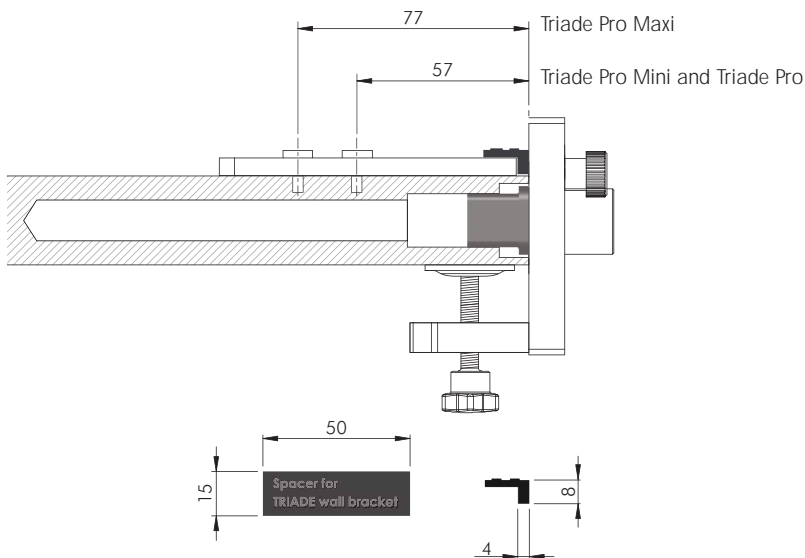
Part no. YOJG055000



## DRILLING JIG INSERT FOR SECURITY LOCKING

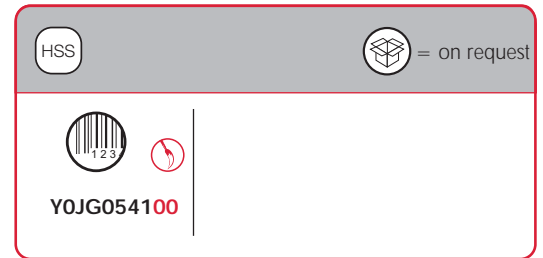
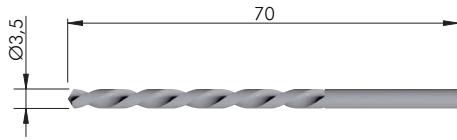


## SPACERS FOR SECURITY LOCKING





## DRILL BIT



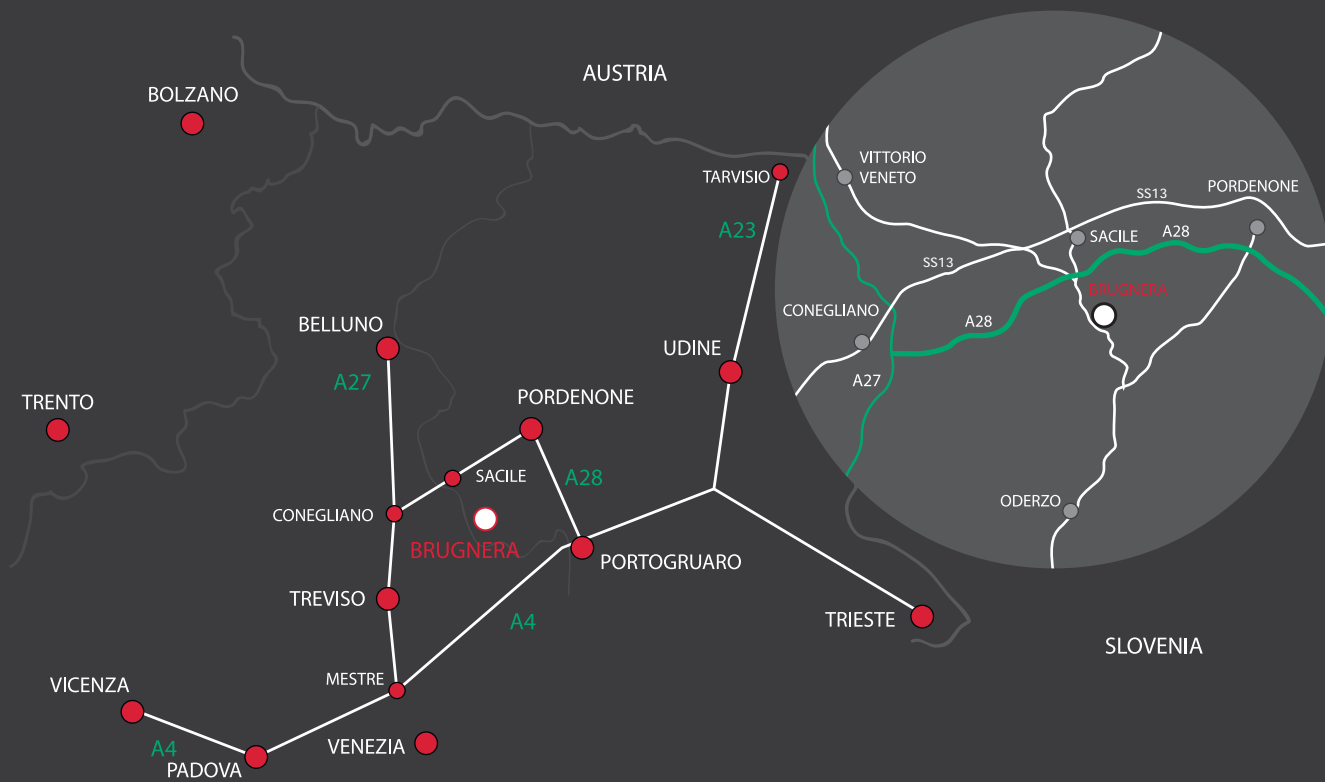
NOTE: For drilling jig we recommend to use precision-ground steel drill bit HSS-G.

## COMPLETE SET DRILLING JIG FOR TRIADE PRO

CONTENT OF THE CASE:

Part no.	Part no.
Y0JG0130RO	Y0JG0133RO
Y0JG013500	Y0JG055000
Y0JG013600	Y0JG054000
Y0JG013700	Y0JG054100
Y0JG013800	
Y0JG013900	





[www.italianaferramenta.it](http://www.italianaferramenta.it)