



 **ITALIANA**[®]
f e r r a m e n t a

Libra CH

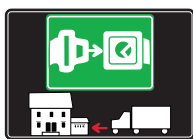
HANGERS





SYMBOLS AND FINISHES LEGEND

SYMBOLS



= SHELF SAFELY LOCKED DURING TRANSPORTATION AND AT HOME.



= ANTI-TURNOVER LOCKING SYSTEM



= NORMS / PATENTS



= PHILLIPS / POZIDRIV



= WITH BUFFER



= PART NO.



= BLADE SLOT



= WITH MAGNET



= PCS. PER PACKAGE



= COMBI SLOT



= HEXAGONAL SOCKET



= NEWTON



= CAPACITY LOADING



= HEXALOBULAR SOCKET



= FRICTION



= WOOD / GLASS THICKNESS



= COUNTERSUNK HEAD



= AUTOMATIC



= HOLE DIAMETER



= PAN HEAD



= DROP DOWN



= DIAMETER



= FLANGE HEAD



= LENGTH



= FLAT HEAD



= STANDARD HINGE



= HEIGHT



= TRILOBULAR SCREW



= KIMANA HINGE



= RIGHT VERSION



= SELF-TAPPING SCREW



= FLAP HINGE



= LEFT VERSION



= EURO THREAD



= WITH SPRING



= SETTING CODE



= METRIC THREAD



= WITHOUT SPRING



= PCS. PER PAD



= PRE-INSERTED SCREW



= REVERSED SPRING



= CUT ON REQUEST



= PRE-INSERTED SCREW AND SPREADING BUSH



= WITH FLANGE



= SELF ADHESIVE



= WITH FLANGE

NOTE: Printing errors and omissions may exist despite our best efforts to ensure accuracy. We reserve the right to alter specifications without notice.

MATERIALS

ZA = Zinc Alloy	ST = Steel	HSS = High Speed Steel	BR = Brass	ABS = Acrylonitrile Butadiene Styrene
ZAnk = Nickel-plated Zinc Alloy	STzk = Zinc-plated Steel	AL = Aluminium	WD = Wood	EVA = Ethylene Vinyl Acetate

EP = ENGINEERING PLASTIC	+ EP = other engineering plastic available on request	SR = SOFT RUBBER	+ SR = other soft rubber available on request
--	--	--------------------------------	--

EPn = Natural Engineering Plastic	EPc = Clear Engineering Plastic	SRn = Natural Soft Rubber
EPw = White Engineering Plastic	EPg = Grey Engineering Plastic	SRw = White Soft Rubber
EPwg = Water Green Engineering Plastic	EPa = Anthracite Engineering Plastic	SRb = Black Soft Rubber



FINISHES



+ OTHER FINISHES AVAILABLE ON REQUEST

PART NO.	FINISHES	PART NO.	FINISHES	PART NO.	FINISHES
00	Insignificant finish	IF	Middle Grey	RO	Red
AA	Natural	IJ	Light Grey	UT	T-Met 9007
AB	White	IL	Grey 20	UZ	T-Met
AE	White 9010	IN	Grey met. 26	WA	Bronzed
EA	Black	JB	Bright Aluminium	WI	Burnished
EC	Matt Black	JC	Aluminium - Chrome	XD	Satin-finished Steel
EE	Anthracite	JD	Matt Aluminium	YA	Nickel-plated
EW	Grey 9007	JE	Satin-finished Aluminium	YB	Bright Nickel-plated
FU	Gunmetal	JF	Aluminium - Brass	YC	Matt Nickel-plated
FV	Gunmetal V52	JG	Aluminium 5	YD	Satin-finished Nickel-plated
GR	Raw	JL	Aluminium PE 11	YQ	Black Nickel
HA	Brass-Plated	JM	Aluminium RAL 9006	Z9	Black Zinc
HH	Tropicalized	KA	Chrome	ZA	Zinc alloy
HL	Raw Brass	KB	Bright Chrome	ZN	Zinc-plated
HX	Graphite	KC	Matt Chrome	ZQ	Bright Gold
IA	Grey	LD	Brown 8019	ZY	Titanium
IB	Metallic Grey	NN	Metallic Beige	ZZ	Clear

LIBRA CH

LIBRA CH is a hanging solution to be combined with a pair of standard cabinet hangers to be fixed to the side panels.

It is recommended for wall-mounted suspended cabinets with heavy loads or particularly deep drawers.

LIBRA CH can be fixed to the top panel and to the bottom panel.

LIBRA CH features a mechanical sledge, a sliding element that facilitates the vertical adjustment as well as the in-depth adjustment.

The smooth movement guaranteed by the mechanical sledge allows the hanging screw, to easily adapt to vertical adjustments of the side hangers.

The hanging screw is hooked on the bar and follows the horizontal adjustments.

LIBRA CH features the patented ANTI-TURNOVER device.

The main benefits are the following:

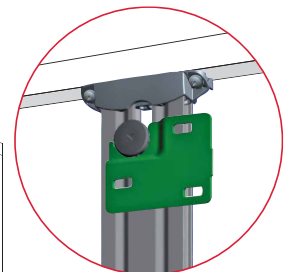
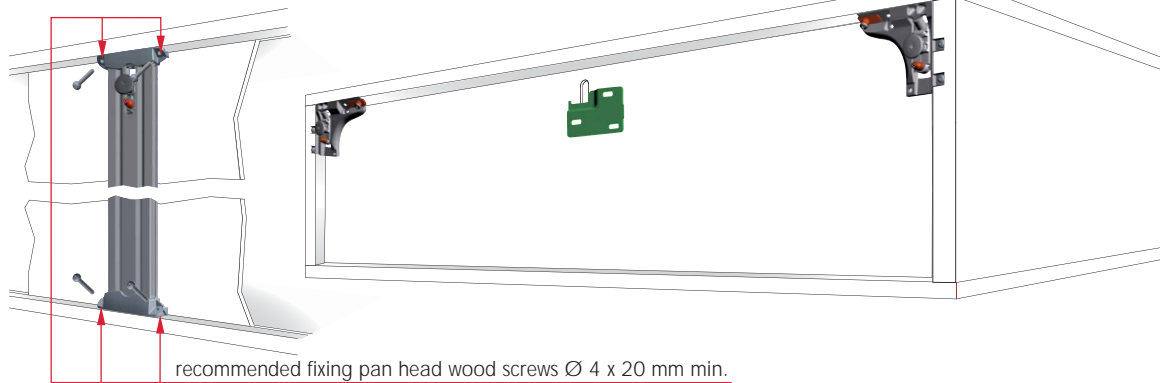
- It is possible to use as many cabinet hangers as needed, in order to hold the required load as well as the cabinet shape.
- Several hanging points facilitate the even load distribution of the cabinet on the wall bar.
- The fixing to both the bottom and the top allows the hanging to be more rigid and avoids any structural failure, especially in case of swinging loads or when deep drawers are opened.
- A more structural solidity is guaranteed.

The adjustment and the locking of the ANTI-TURNOVER bolt can be carried out from the inside of the cabinet by using a standard PZ2 screwdriver.



APPLICATION

LIBRA CH to be cut on size flushing with both top and bottom panels.



It is the responsibility of the customer:

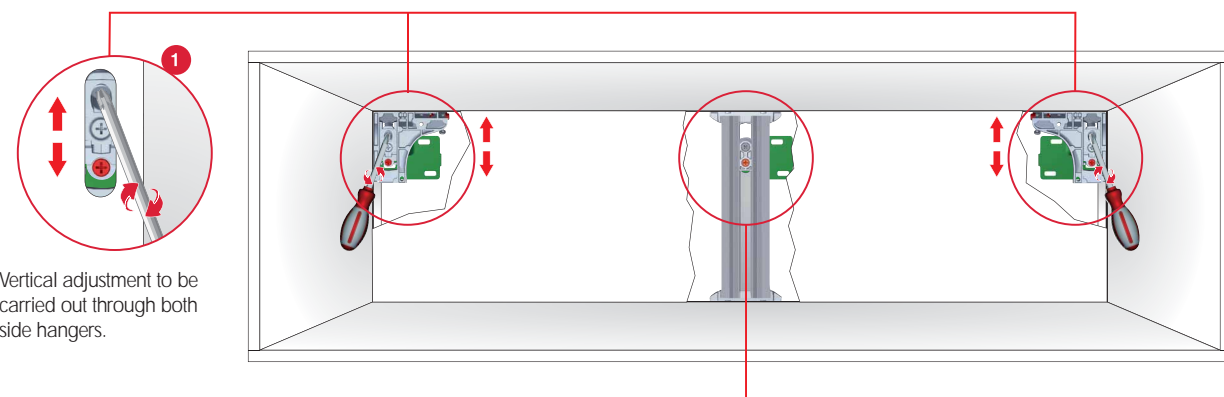
- to ensure that the wall is of a suitable quality to hold the unit fixing in place.
- to use the proper hardware fittings according to the construction of the wall.

For more specific information, please refer to the WARNINGS section at the end of the catalogue.

ADJUSTMENTS

Slots for cross PZ2 screwdriver

1 - VERTICAL ADJUSTMENT LIBRA H1-H2-H3-H6-H7 - 13 mm



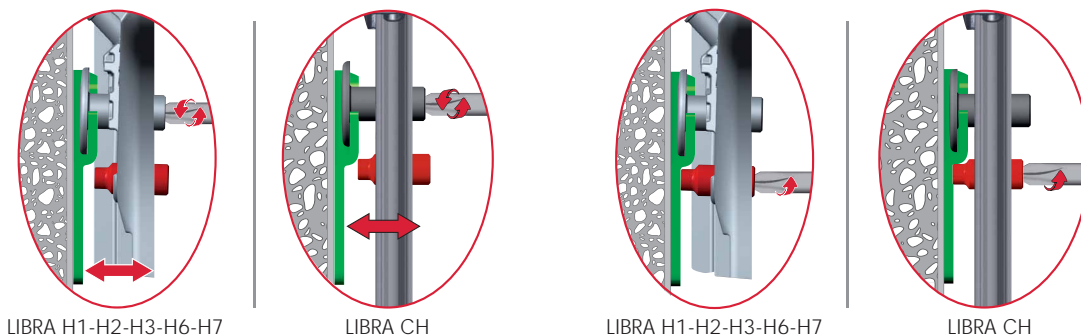
Vertical adjustment to be carried out through both side hangers.

LIBRA CH consequently follows the vertical adjustment carried out through the side hangers.

2 IN-DEPTH ADJUSTMENT 12 mm

3 ANTI-TURNOVER LOCKING

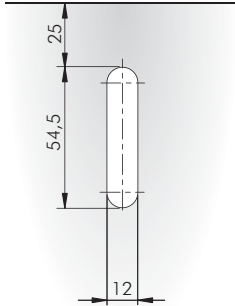
Stop screwing the red bolt when it touches the wall plate



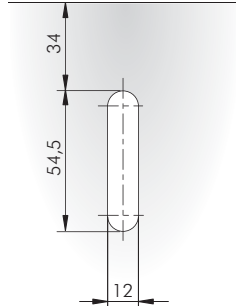


The present groove has to match the groove required by the cabinet hanger used.

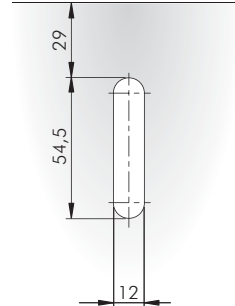
Drilling plan for the matching with LIBRA H1



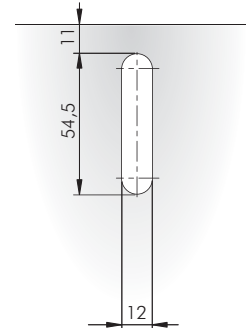
Drilling plan for the matching with LIBRA H2



Drilling plan for the matching with LIBRA H3

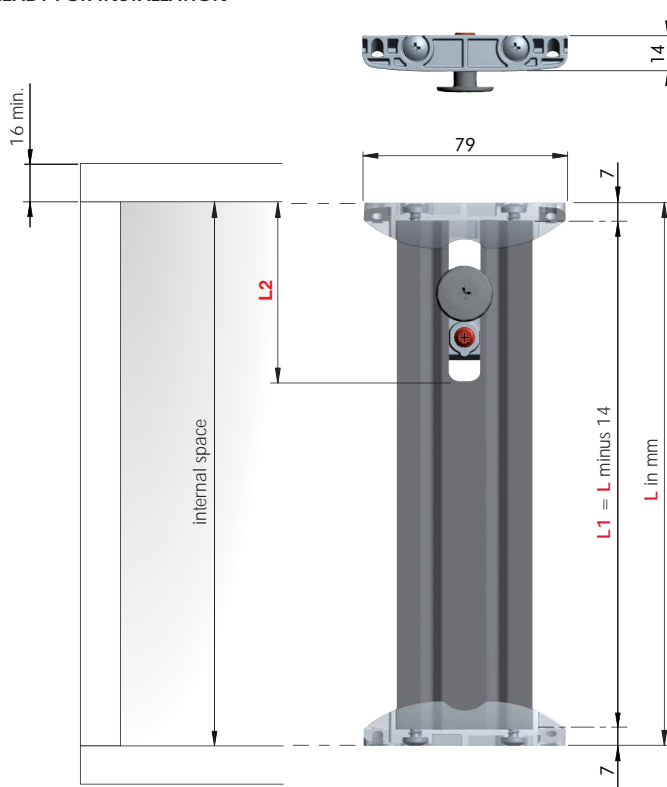


Drilling plan for the matching with LIBRA H6 - H7



LIBRA CH WITH BOTH UPPER AND LOWER END ELEMENTS PRE-MOUNTED

READY FOR INSTALLATION



L = Total CH including both upper and lower elements.



	= PZ2		= 25 pcs.
ZA	ST	AL	
	64 Y XXXX 200		NOTE: for technical details about wall plates and cover caps please refer to the related sections "LIBRA WALL PLATES" on page 12.65 and "LIBRA COVER CAPS" on page 12.68.

64 Y XXXX 200

"0" = milling L2 type A for LIBRA H6 - H7.
"1" = milling L2 type B for LIBRA H1, H2, H3.

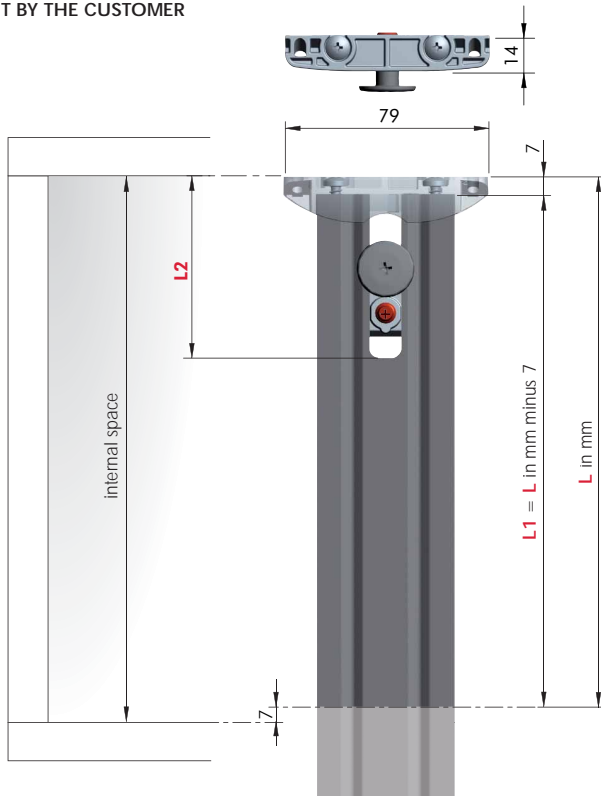
LIBRA CH FIXING ACCESSORY



			= PZ2		
ST			= on request		
	60103270ZN		20		16
	60103280ZN		25		18 min.

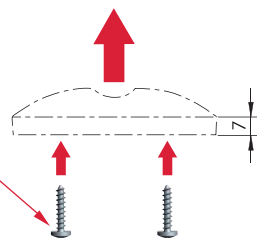
LIBRA CH WITH UPPER END ELEMENT PRE-MOUNTED (SEPARATE LOWER END ELEMENT)

TO BE CUT BY THE CUSTOMER



= PZ2	= 25 pcs.
ZA ST AL	
64 Y XXXX 100	NOTE: for technical details about wall plates and cover caps please refer to the related sections "LIBRA WALL PLATES" on page 12.65 and "LIBRA COVER CAPS" on page 12.68.

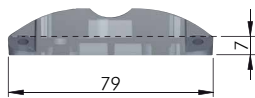
fixing pan head self-tapping screw $\varnothing 4,8 \times 22$ mm.



64 Y ^{L1} XXXX 100

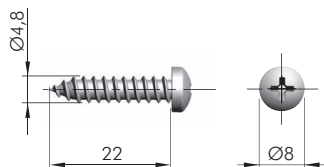
"0" = milling L2 type A for LIBRA H6 - H7.
 "1" = milling L2 type B for LIBRA H1, H2, H3.

LOWER END ELEMENT



ZA	= on request
64300000ZN	

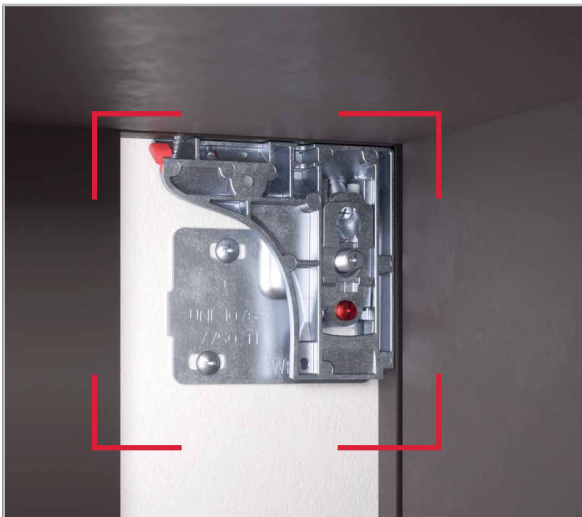
FIXING ACCESSORY FOR LOWER END ELEMENT PART.NO 64300000ZN



= PZ2	= on request
ST	
60203610ZN	



LIBRA H6 and LIBRA CH LIVING SETTINGS



LIBRA H6



LIBRA CH



LIBRA H6 and LIBRA CH APPLICATIONS

BENEFITS OF LIBRA H6 AND LIBRA CH HANGING SYSTEMS:

- Vertical and in-depth adjustments, as well as the locking of the cabinet, can be easily and smoothly carried out from the inside.
- The hanging system is never interfering with the slides for drawers as it is placed behind the back panel.
- Absolutely no mills, drillings or grooves required inside the cabinet.

In the **current absence of a unifying European norm** which sets the standards for testing procedures aimed at defining capacity loadings of hanging systems conceived for suspended base units, we Italiana Ferramenta have simulated some of the most critical scenarios.

The following simulations are meant to give our customers valid reference points concerning cabinet dimensions, weights, recommended loading capacity even when loaded drawers are opened.

The reported data, empirically obtained, exclusively refer to the constructions and examples shown, correctly positioned and assembled by using WP5 wall plate.

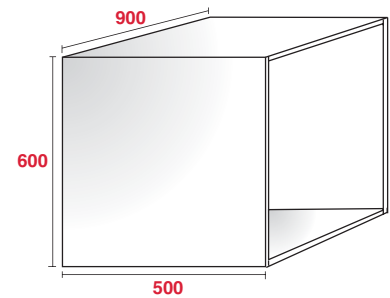
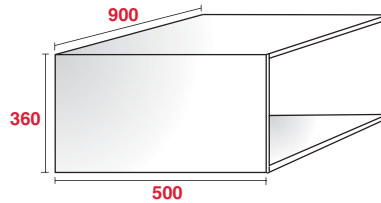
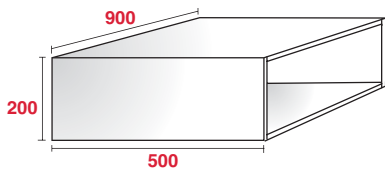
The customer must ensure that the wall is of suitable quality and structure.


Other important factors to be taken into consideration are determined by:


- the type of side panel, the actual thickness and the material used. It is recommended to use chipboard panels. For MDF panels please contact us for further information concerning the screw fixing.
- the type and dimensions of the screws used.
- the actual positioning, depth and width of the groove milled for the back side installation.
- the capacity loading of the drawer slides used as well as the actual construction of the drawer.


We always recommend to test a complete cabinet.

For cases which differ from the ones reported, please contact us.



FURNITURE TYPE	CAPACITY LOADING 	
	LIBRA H6	LIBRA H6 + 1 LIBRA CH
Cabinet	100 Kg	150 Kg
Cabinet + drawer	70 Kg + 30 Kg	120 Kg + 30 Kg

FURNITURE TYPE	CAPACITY LOADING 	
	LIBRA H6	LIBRA H6 + 1 LIBRA CH
Cabinet	180 Kg	230 Kg
Cabinet + drawer	150 Kg + 30 Kg	180 Kg + 50 Kg

FURNITURE TYPE	CAPACITY LOADING 	
	LIBRA H6	LIBRA H6 + 1 LIBRA CH
Cabinet	200 Kg	230 Kg
Cabinet + drawer	170 Kg + 30 Kg	170 Kg + 50 Kg

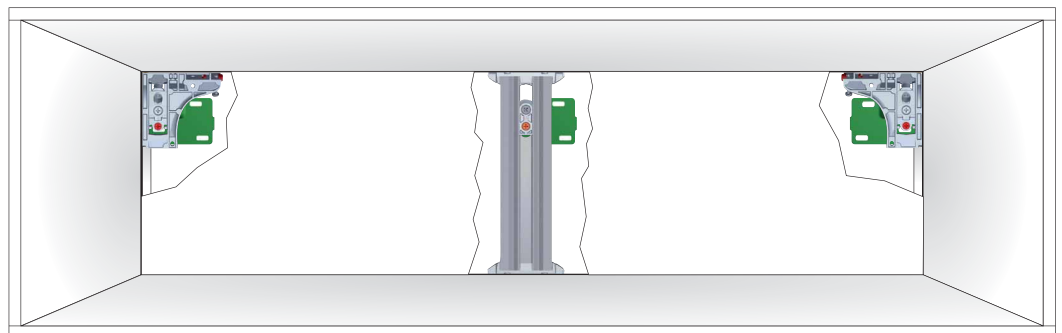
The reported data, empirically obtained, exclusively refer to the constructions and examples shown, correctly positioned and assembled by using WP5 wall plate.

LIBRA H6

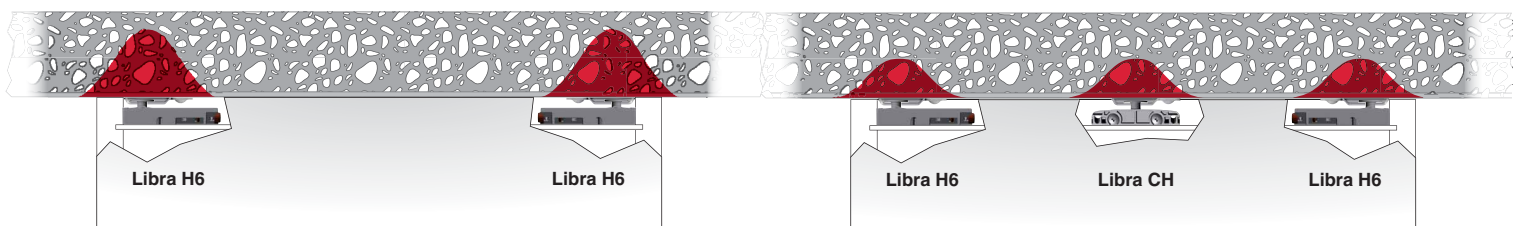
LIBRA CH



LIBRA WP5

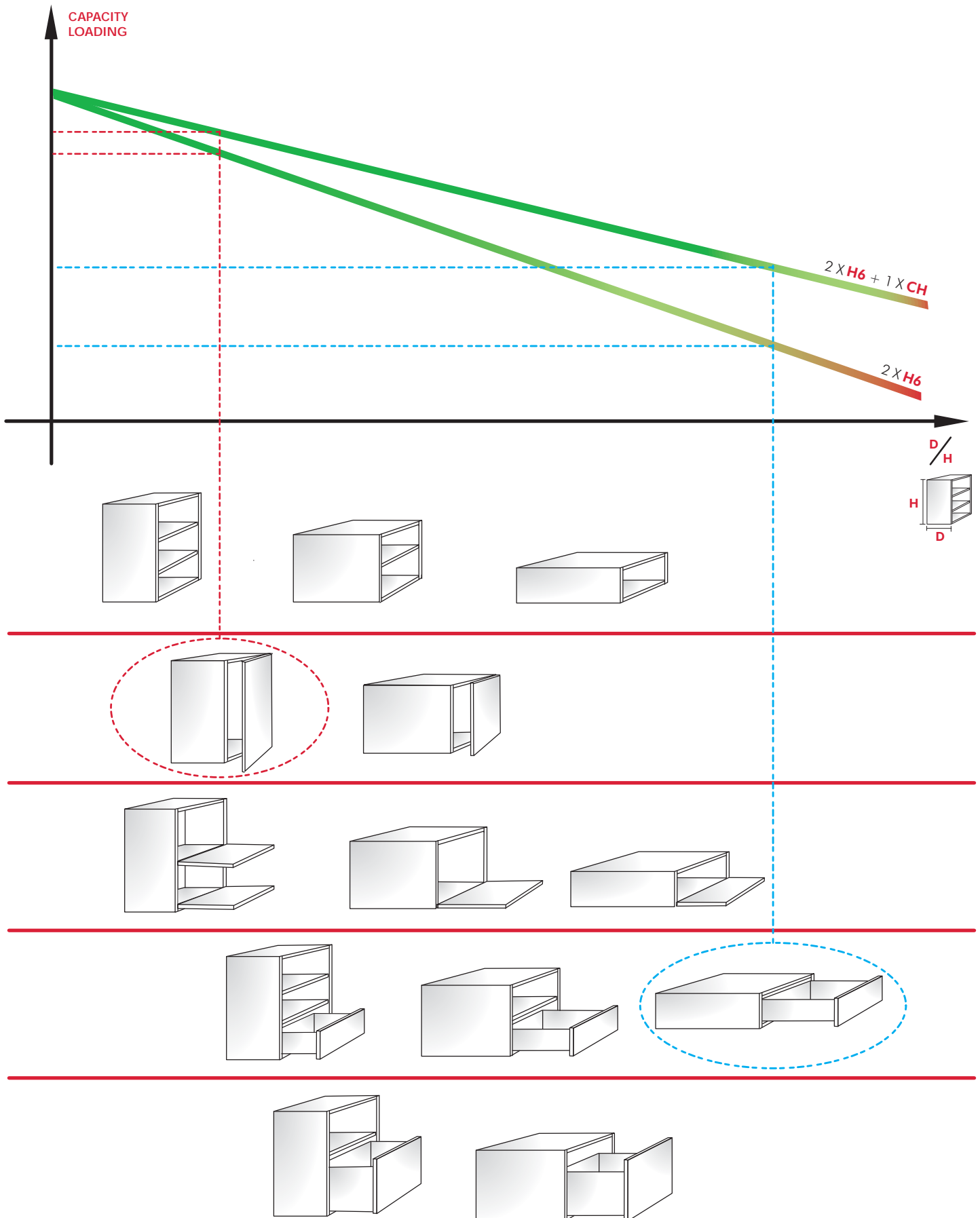


 = STRESS INTENSITY LEVEL ON THE WALL



By adding Libra CH to Libra H6, the capacity loading is more evenly distributed, thus sensibly reducing the stress intensity level on the wall.

DEMONSTRATION SCHEME : WHERE AND HOW TO USE LIBRA H6 AND LIBRA CH





LIBRA H7 and LIBRA CH LIVING SETTINGS



LIBRA H7



LIBRA CH

LIBRA H7 and LIBRA CH APPLICATIONS

BENEFITS OF LIBRA H7 AND LIBRA CH HANGING SYSTEMS:

- Vertical and in-depth adjustments, as well as the locking of the cabinet, can be easily and smoothly carried out from the inside.
- The hanging system is never interfering with the slides for drawers thanks to the slim side bracket wings.
- Absolutely no mills or grooves required on the side panels.

In the **current absence of a unifying European norm** which sets the standards for testing procedures aimed at defining capacity loadings of hanging systems conceived for suspended base units, we Italiana Ferramenta have simulated some of the most critical scenarios.

The following simulations are meant to give our customers valid reference points concerning cabinet dimensions, weights, recommended loading capacity even when loaded drawers are opened.

The reported data, empirically obtained, exclusively refer to the constructions and examples shown, correctly positioned and assembled by using WP5 wall plate.

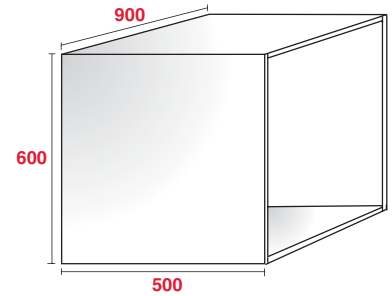
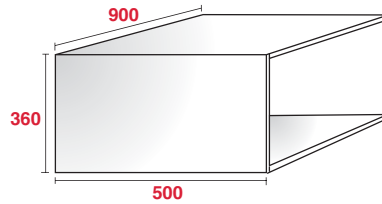
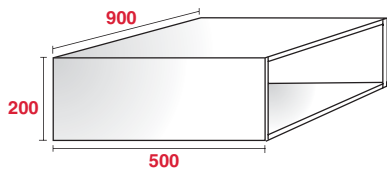
The customer must ensure that the wall is of suitable quality and structure.

Other important factors to be taken into consideration are determined by:

- the type of side panel, the actual thickness and the material used concerning the screw fixing.
- the type and dimensions of the screws used.
- the actual positioning, depth and width of the groove milled for the back side installation.
- the capacity loading of the drawer slides used as well as the actual construction of the drawer.

We always recommend to test a complete cabinet.

For cases which differ from the ones reported, please contact us.



FURNITURE TYPE	CAPACITY LOADING	
	LIBRA H7	LIBRA H7 + 1 LIBRA CH
Cabinet	120 Kg	130 Kg
Cabinet + drawer	80 Kg + 30 Kg	120 Kg + 30 Kg

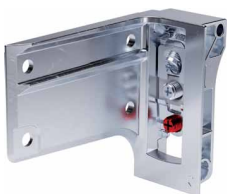
FURNITURE TYPE	CAPACITY LOADING	
	LIBRA H7	LIBRA H7 + 1 LIBRA CH
Cabinet	180 Kg	230 Kg
Cabinet + drawer	150 Kg + 30 Kg	180 Kg + 30 Kg

FURNITURE TYPE	CAPACITY LOADING	
	LIBRA H7	LIBRA H7 + 1 LIBRA CH
Cabinet	200 Kg	230 Kg
Cabinet + drawer	170 Kg + 30 Kg	170 Kg + 50 Kg

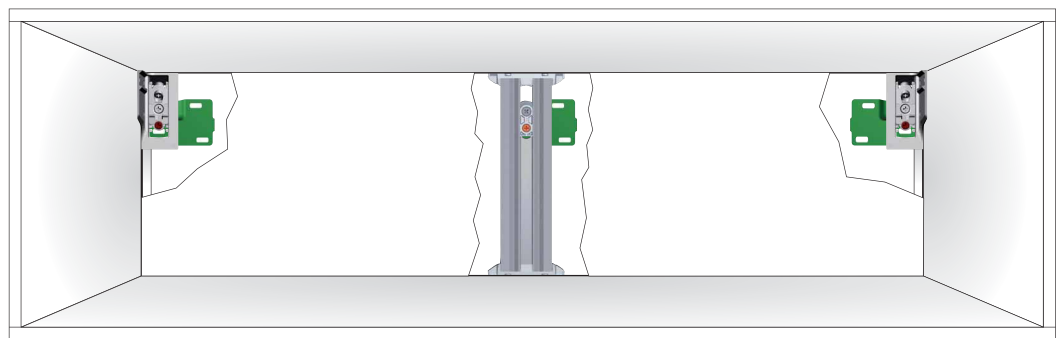
The reported data, empirically obtained, exclusively refer to the constructions and examples shown, correctly positioned and assembled by using WP5 wall plate.

LIBRA H7

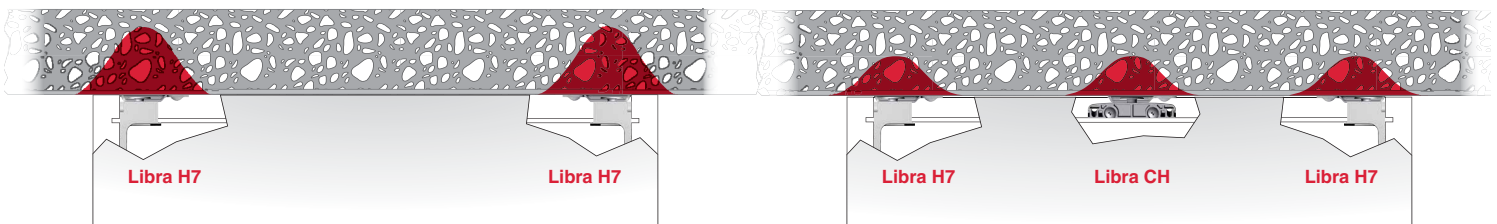
LIBRA CH



LIBRA WP5



= STRESS INTENSITY LEVEL ON THE WALL



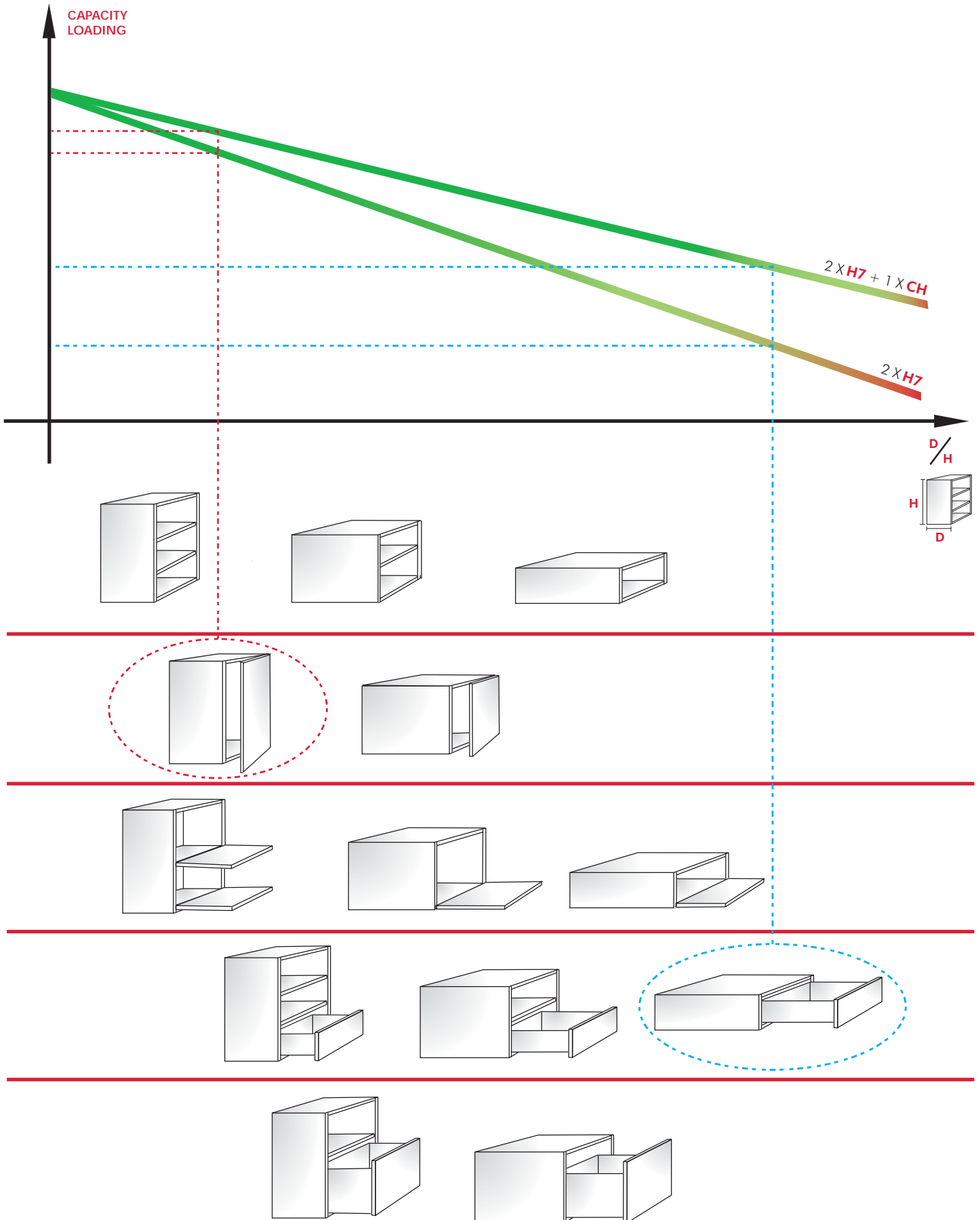
For details refer to sections:

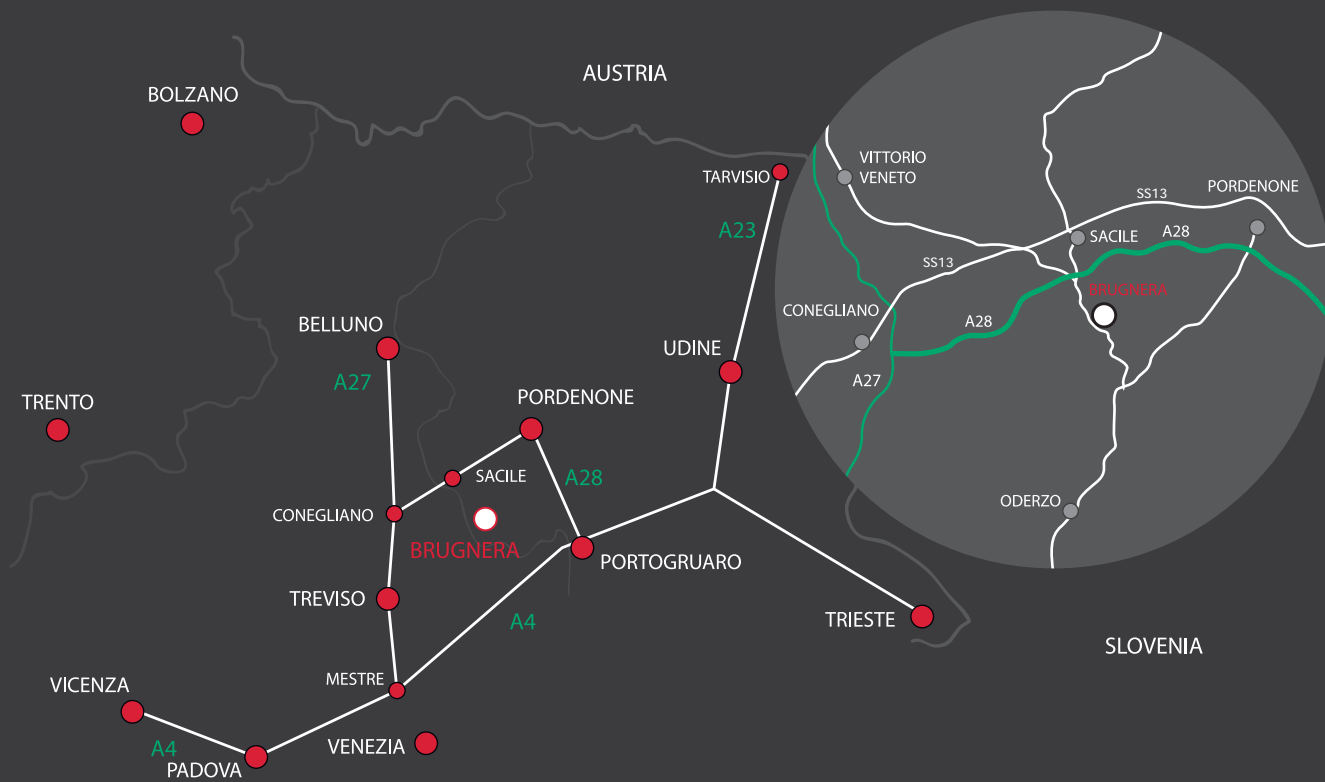
- LIBRA H7 SCREW FIXING (to be used without aluminium bar)
- LIBRA H7 DOWEL FIXING (to be used without aluminium bar).
- LIBRA CH

By adding Libra CH to Libra H7, the capacity loading is more evenly distributed, thus sensibly reducing the stress intensity level on the wall.



DEMONSTRATION SCHEME : WHERE AND HOW TO USE LIBRA H7 AND LIBRA CH





www.italianaferramenta.it