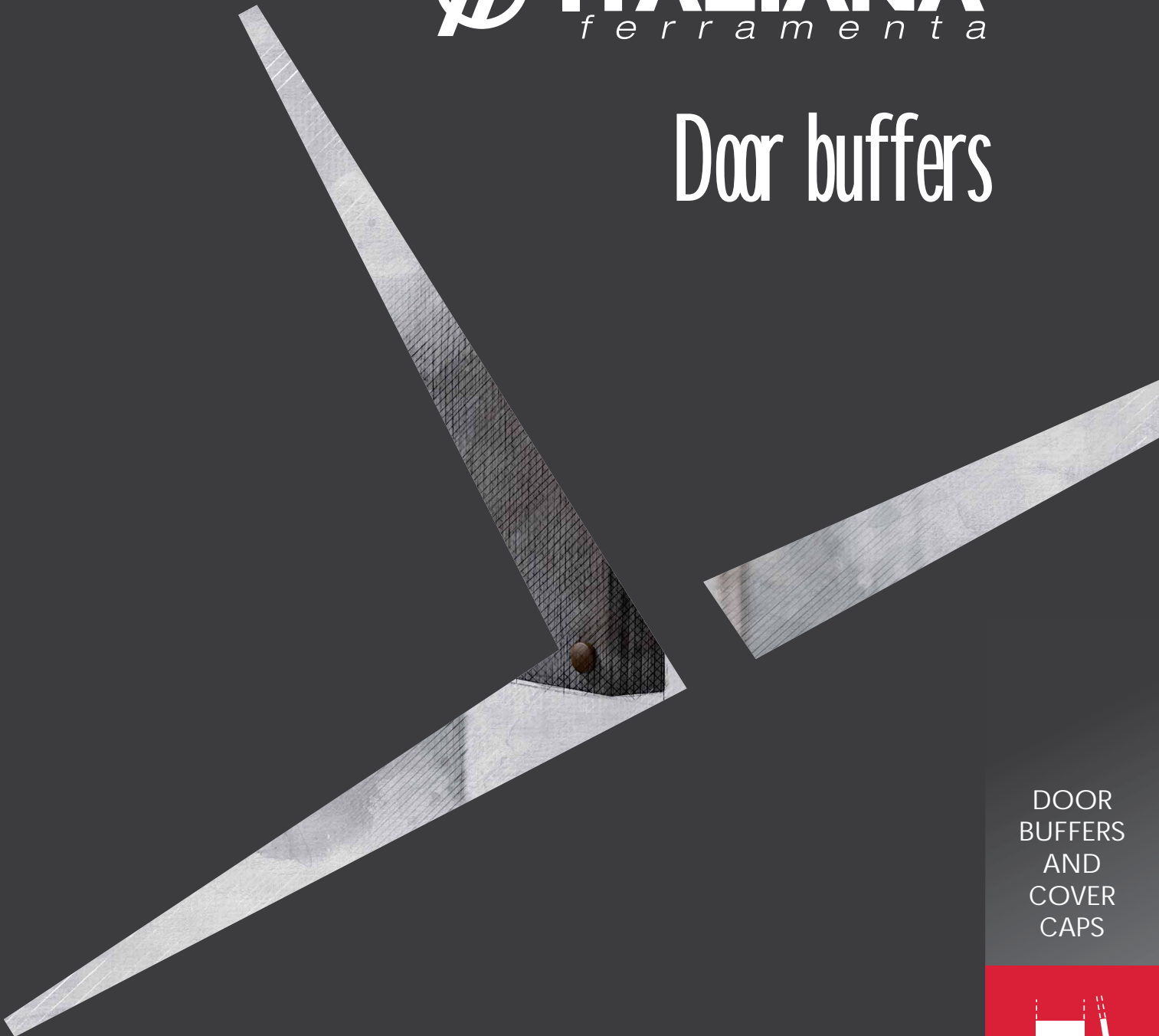
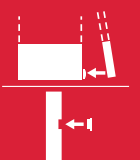




# Door buffers



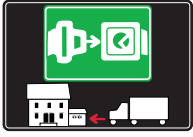
DOOR  
BUFFERS  
AND  
COVER  
CAPS





# SYMBOLS AND FINISHES LEGEND

## SYMBOLS



= SHELF SAFELY LOCKED DURING TRANSPORTATION AND AT HOME.



= ANTI-TURNOVER LOCKING SYSTEM



= NORMS / PATENTS



= PHILLIPS / POZIDRIV



= WITH BUFFER



= PART NO.



= BLADE SLOT



= WITH MAGNET



= PCS. PER PACKAGE



= COMBI SLOT



= HEXAGONAL SOCKET



= NEWTON



= CAPACITY LOADING



= HEXALOBULAR SOCKET



= FRICTION



= WOOD / GLASS THICKNESS



= COUNTERSUNK HEAD



= AUTOMATIC



= HOLE DIAMETER



= PAN HEAD



= DROP DOWN



= DIAMETER



= FLANGE HEAD



= LENGTH



= FLAT HEAD



= STANDARD HINGE



= HEIGHT



= TRILOBULAR SCREW



= KIMANA HINGE



= RIGHT VERSION



= SELF-TAPPING SCREW



= FLAP HINGE



= LEFT VERSION



= EURO THREAD



= WITH SPRING



= SETTING CODE



= METRIC THREAD



= WITHOUT SPRING



= PCS. PER PAD



= PRE-INSERTED SCREW



= REVERSED SPRING



= CUT ON REQUEST



= PRE-INSERTED SCREW AND SPREADING BUSH



= SELF ADHESIVE



= WITH FLANGE

NOTE: Printing errors and omissions may exist despite our best efforts to ensure accuracy. We reserve the right to alter specifications without notice.

## MATERIALS

|  |                                 |                               |                   |  |
|--|---------------------------------|-------------------------------|-------------------|--|
| <b>ZA</b> = Zinc Alloy                 | <b>ST</b> = Steel               | <b>HSS</b> = High Speed Steel | <b>BR</b> = Brass | <b>ABS</b> = Acrylonitrile Butadiene Styrene |
| <b>ZAnk</b> = Nickel-plated Zinc Alloy | <b>STzk</b> = Zinc-plated Steel | <b>AL</b> = Aluminium         | <b>WD</b> = Wood  | <b>EVA</b> = Ethylene Vinyl Acetate          |

|  |  |                                |  |
|--|--|--------------------------------|--|
| <b>EP</b> = <b>ENGINEERING PLASTIC</b> | + <b>EP</b> = other engineering plastic available on request | <b>SR</b> = <b>SOFT RUBBER</b> | + <b>SR</b> = other soft rubber available on request |
|--|--|--------------------------------|--|

|   |   |                                  |
|---|---|----------------------------------|
| <b>EPn</b> = Natural Engineering Plastic      | <b>EPc</b> = Clear Engineering Plastic      | <b>SRn</b> = Natural Soft Rubber |
| <b>EPw</b> = White Engineering Plastic        | <b>EPg</b> = Grey Engineering Plastic       | <b>SRw</b> = White Soft Rubber   |
| <b>EPwg</b> = Water Green Engineering Plastic | <b>EPa</b> = Anthracite Engineering Plastic | <b>SRb</b> = Black Soft Rubber   |



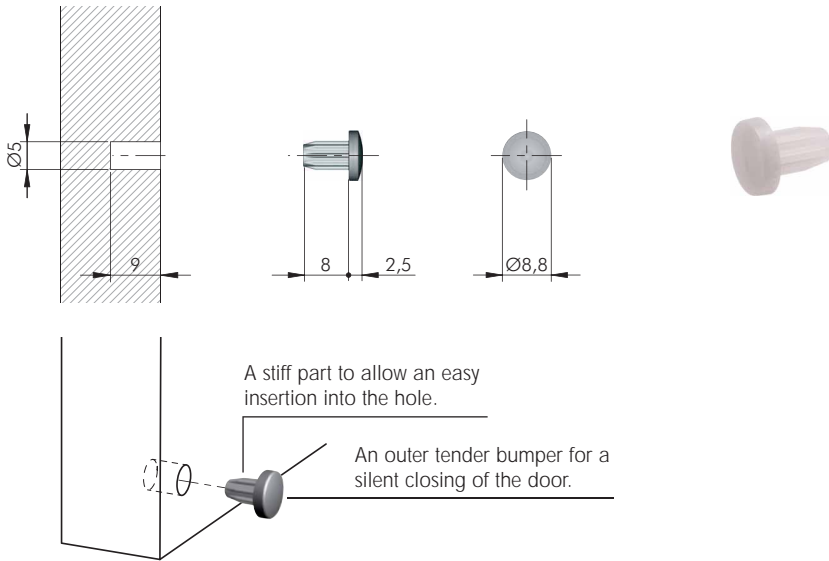
## FINISHES



+ **OTHER FINISHES AVAILABLE ON REQUEST**

| PART NO. | FINISHES             | PART NO. | FINISHES                 | PART NO. | FINISHES                     |
|----------|----------------------|----------|--------------------------|----------|------------------------------|
| OO       | Insignificant finish | IF       | Middle Grey              | RO       | Red                          |
| AA       | Natural              | IJ       | Light Grey               | UT       | T-Met 9007                   |
| AB       | White                | IL       | Grey 20                  | UZ       | T-Met                        |
| AE       | White 9010           | IN       | Grey met. 26             | WA       | Bronzed                      |
| EA       | Black                | JB       | Bright Aluminium         | WI       | Burnished                    |
| EC       | Matt Black           | JC       | Aluminium - Chrome       | XD       | Satin-finished Steel         |
| EE       | Anthracite           | JD       | Matt Aluminium           | YA       | Nickel-plated                |
| EW       | Grey 9007            | JE       | Satin-finished Aluminium | YB       | Bright Nickel-plated         |
| FU       | Gunmetal             | JF       | Aluminium - Brass        | YC       | Matt Nickel-plated           |
| FV       | Gunmetal V52         | JG       | Aluminium 5              | YD       | Satin-finished Nickel-plated |
| GR       | Raw                  | JL       | Aluminium PE 11          | YQ       | Black Nickel                 |
| HA       | Brass-Plated         | JM       | Aluminium RAL 9006       | Z9       | Black Zinc                   |
| HH       | Tropicalized         | KA       | Chrome                   | ZA       | Zinc alloy                   |
| HL       | Raw Brass            | KB       | Bright Chrome            | ZN       | Zinc-plated                  |
| HX       | Graphite             | KC       | Matt Chrome              | ZQ       | Bright Gold                  |
| IA       | Grey                 | LD       | Brown 8019               | ZY       | Titanium                     |
| IB       | Metallic Grey        | NN       | Metallic Beige           | ZZ       | Clear                        |

## BI-MATERIAL



=  $\varnothing$  5 mm +

EP SR  = 5000 pcs.

---

**23203010ZZ**

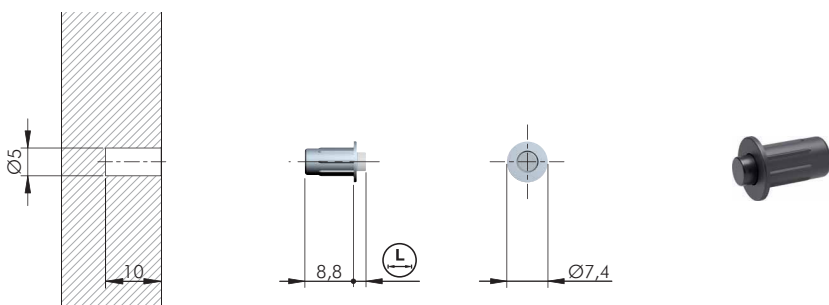
**23203010MB**

**23203010AB**

**23203010IF**

**23203010EE**

## K FLEX

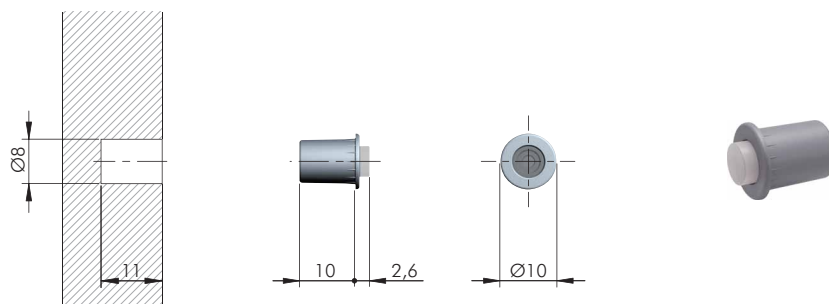


=  $\varnothing$  5 mm +

EP SR  = 1000 pcs.

---

|                   |     |
|-------------------|-----|
|                   |     |
| <b>23203130IJ</b> | 2,3 |
| <b>23203130EE</b> | 2,3 |
| <b>23203140IJ</b> | 3   |
| <b>23203140EE</b> | 3   |

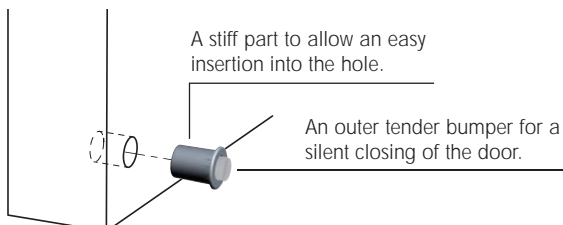


=  $\varnothing$  8 mm +

EP SR  = 1000 pcs.

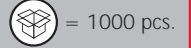
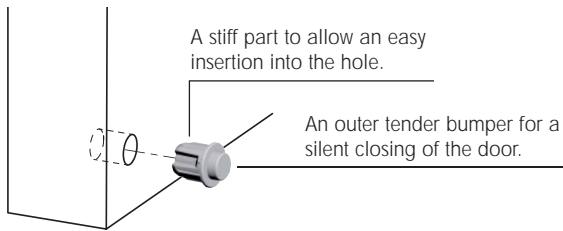
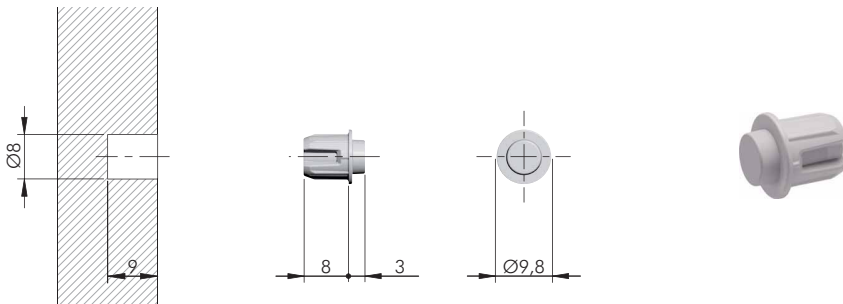
---

**23203110IN**





## BLOW



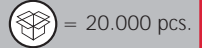
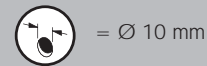
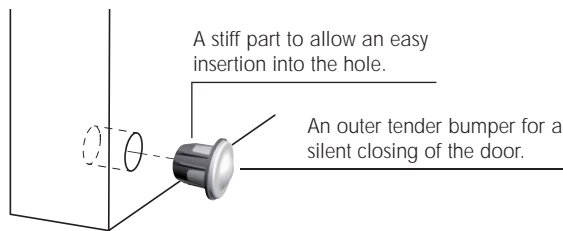
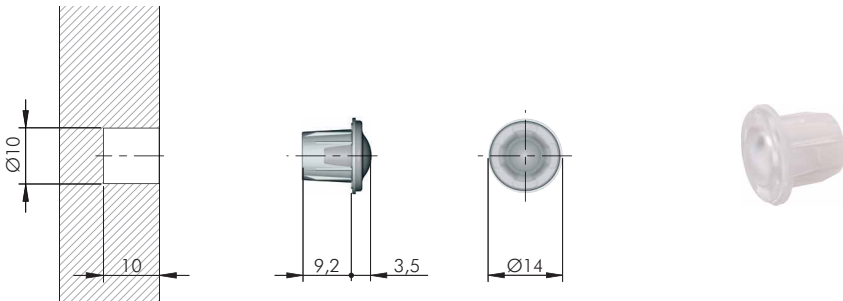
**23203200IJ**

**23203200EE**

## SOFT

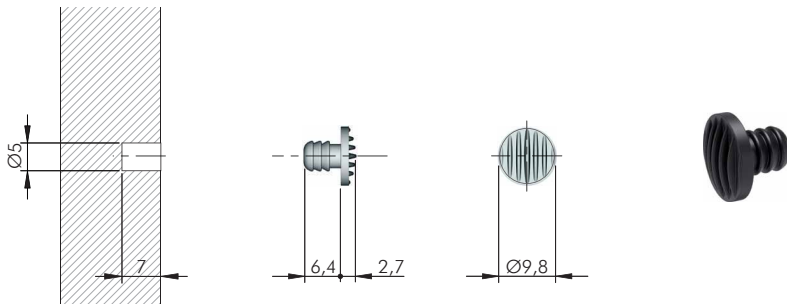


*Certificates available on request.*



**23203050AA**

## SOFT DOOR BUFFERS



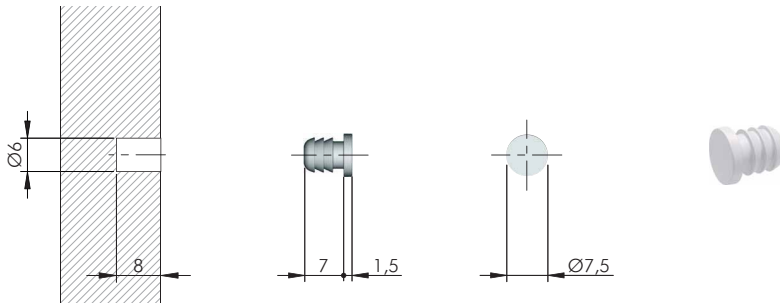
SR

= 5000 pcs.



**23203020EA**

**23203020AB**

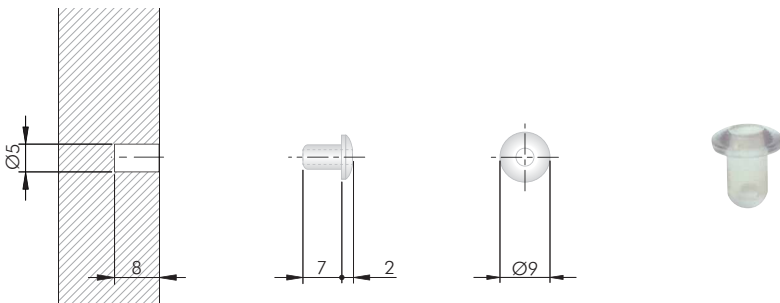


SR

= 5000 pcs.



**23203030AB**

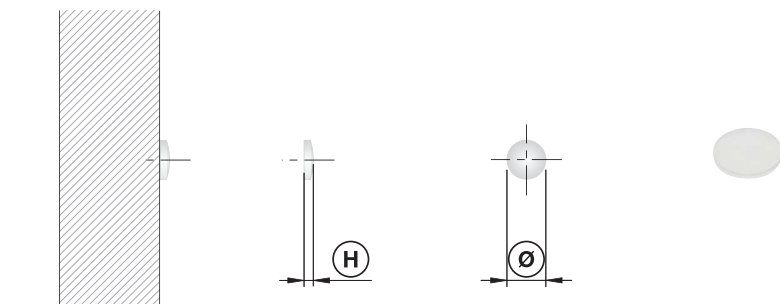


SR

= 5000 pcs.



**23203080ZZ**



= 50 pcs.

EVA



**23205010ZZ**

7

1,5

10.000

**23205290ZZ**

8

2

8000

**23205110ZZ**

8

1,6

10.000

**23205030ZZ**

10

1,5

10.000

**23205040ZZ**

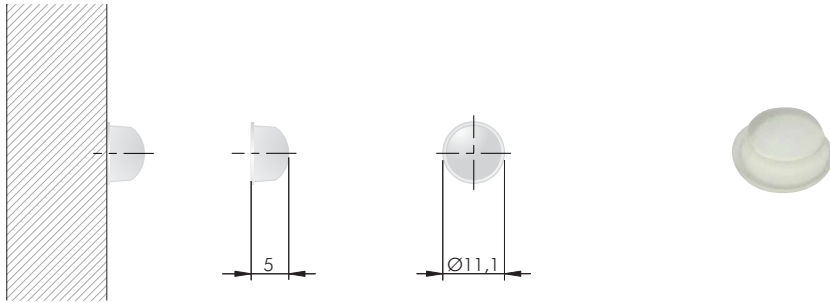
10

3

5000

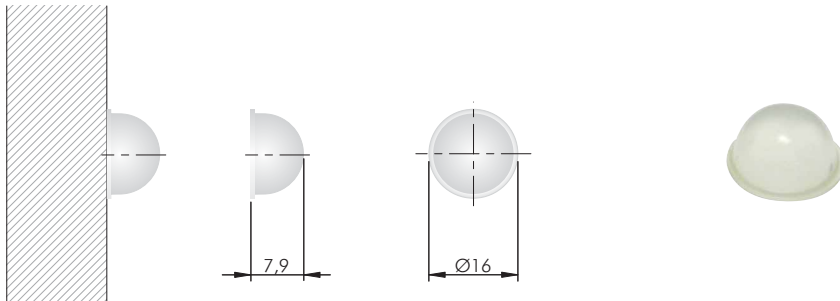
Part no. refers to 1 single door buffer.

NOTE: = on request



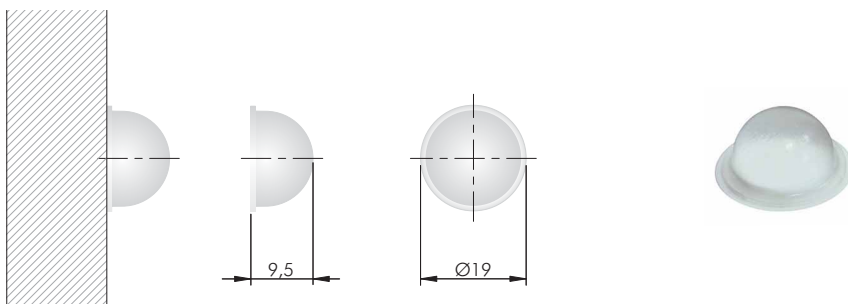
= 55 pcs.  
 EVA 73 pads = 4015 pcs.  
 123 **23205120ZZ** | Part no. refers to 1 single door buffer.

NOTE: = on request



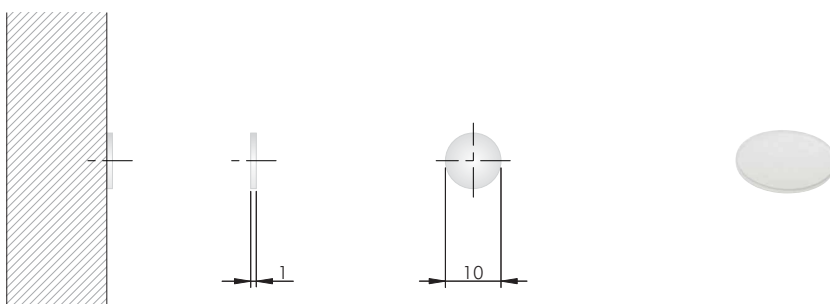
= 32 pcs.  
 EVA 50 pads = 1600 pcs.  
 123 **23205130ZZ** | Part no. refers to 1 single door buffer.

NOTE: = on request



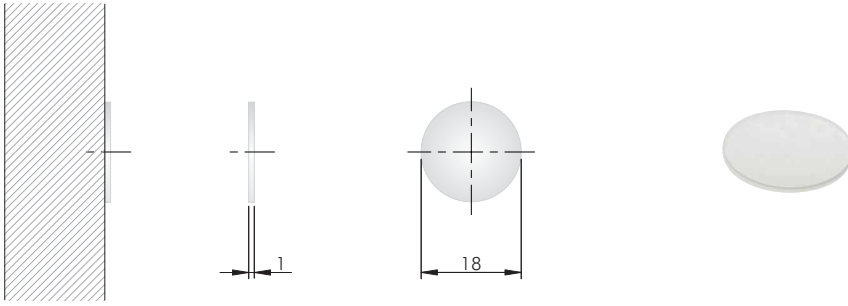
= 21 pcs.  
 EVA 48 pads = 1008 pcs.  
 123 **23205140ZZ** | Part no. refers to 1 single door buffer.

NOTE: = on request



= 50 pcs.  
 EVA 200 pads = 10000 pcs.  
 123 **23205150ZZ** | Part no. refers to 1 single door buffer.

NOTE: = on request



  = 36 pcs.

EVA



100 pads = 3600 pcs.

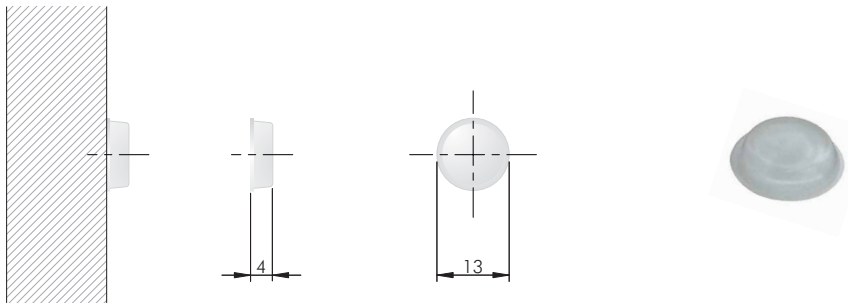


**23205160ZZ**



Part no. refers to 1 single door buffer.

NOTE:  = on request



  = 40 pcs.

EVA



100 pads = 4000 pcs.

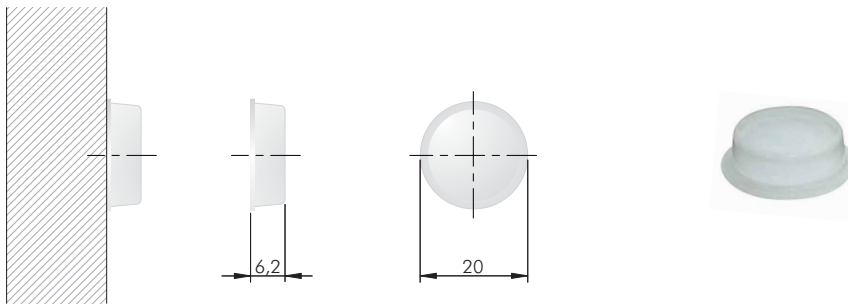


**23205050ZZ**



Part no. refers to 1 single door buffer.

NOTE:  = on request



  = 21 pcs.

EVA



67 pads = 1407 pcs.

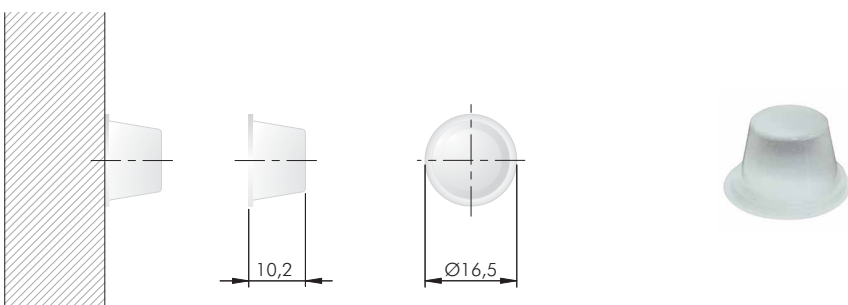


**23205170ZZ**



Part no. refers to 1 single door buffer.

NOTE:  = on request



  = 32 pcs.

EVA



40 pads = 1280 pcs.



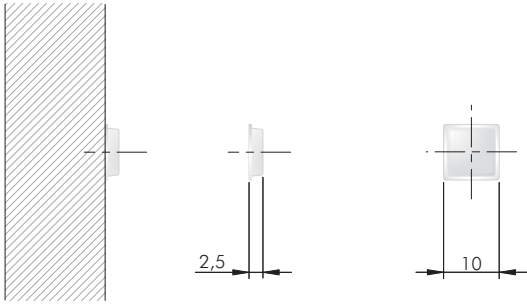
**23205180ZZ**



Part no. refers to 1 single door buffer.

NOTE:  = on request





= 55 pcs.

EVA

140 pads = 7700 pcs.

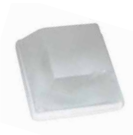
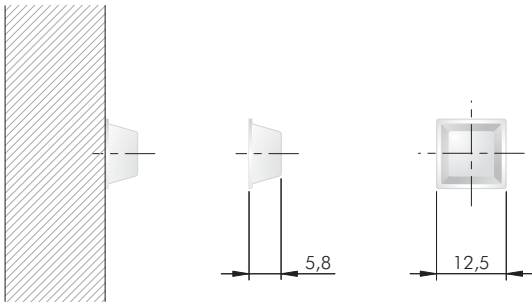


**23205190ZZ**



Part no. refers to 1 single door buffer.

NOTE: = on request



= 40 pcs.

EVA

100 pads = 4000 pcs.

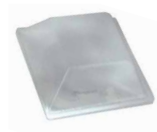
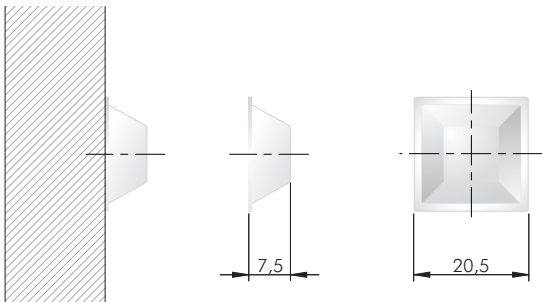


**23205200ZZ**



Part no. refers to 1 single door buffer.

NOTE: = on request



= 18 pcs.

EVA

56 pads = 1008 pcs.

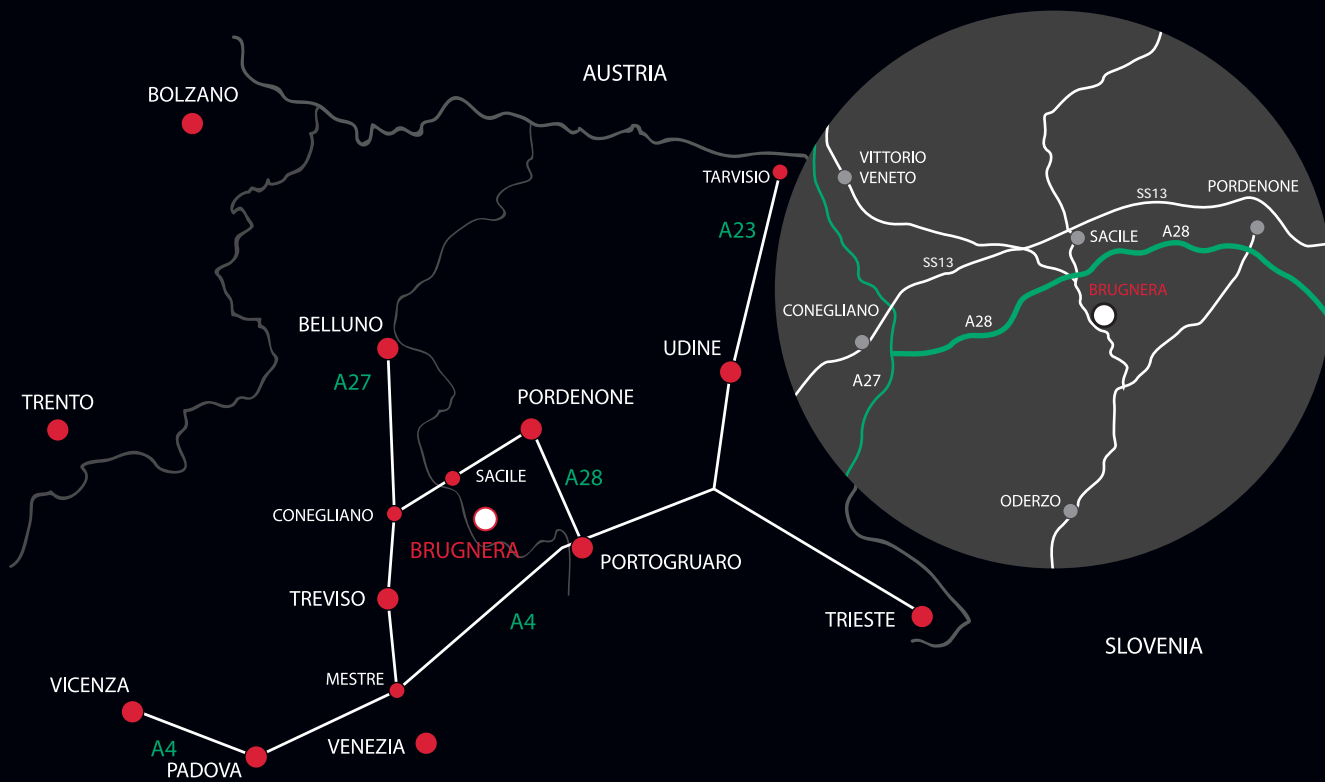


**23205210ZZ**



Part no. refers to 1 single door buffer.

NOTE: = on request



[www.italianaferramenta.it](http://www.italianaferramenta.it)