

Accessories - For Progressa+ Shelf slides

Rear-fixed bracket and magnet - Lock-open function for runners and drawers



AROSXXY

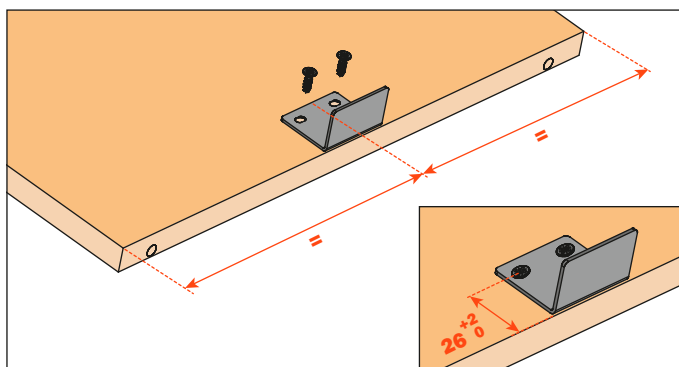
The shelf is held at the maximum opening position by means of a rear-fixed bracket and a magnet.

PACKAGING

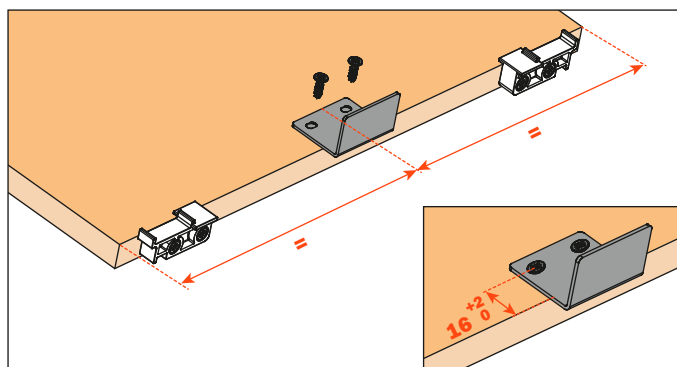
1 box = 20 magnets, 20 brackets.
Screws included.

Assembly instructions

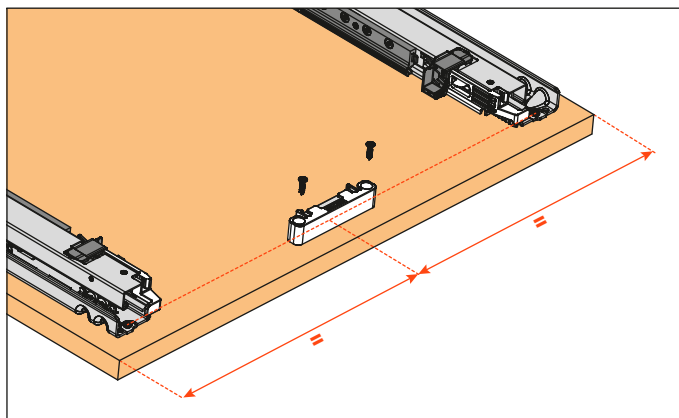
1 A) Fix the bracket, aligned with the back of the shelf.



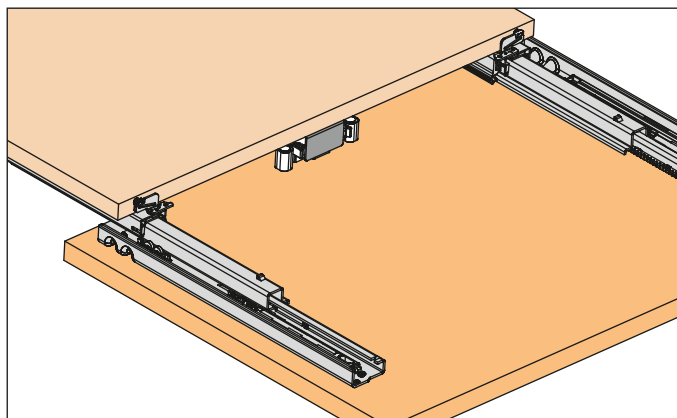
1 B) Fix the bracket to the shelf with the rear hook support. The bracket needs to be aligned to the rear hook support.



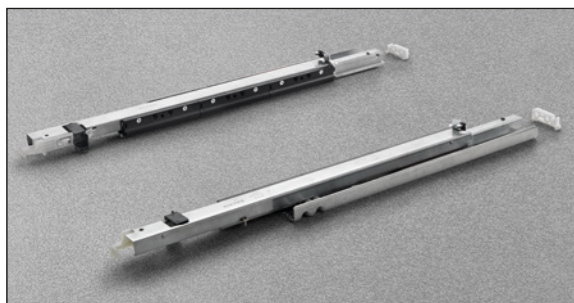
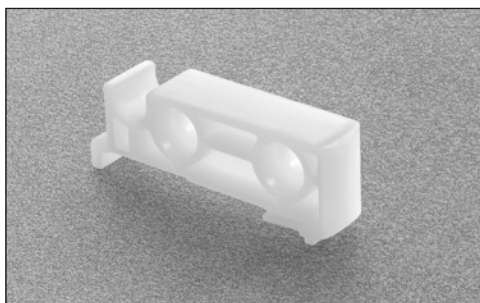
2) Fix the magnet to the bottom.



3) The shelf is held at the maximum opening position.



Rear hook bracket



AGAPXXYI

For shelves that are less than 12 mm thick, the runner can be used together with the rear hook bracket, thus eliminating the need for the rear hole in the shelf.

PACKAGING:

1 box = 100 pcs.