



**Progressa**

***SALICE***

**Index**

<b>Slide installation</b>	page 7
<b>Technical information</b>	page 8
<b>Part number composition</b>	page 13

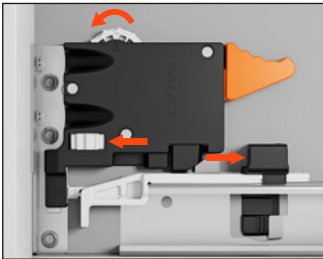
---

**Front locking devices**

<b>Standard mount - 6 way adjustable</b>	page 18
--	---------

<b>Standard mount - 2 way clip with side fixing</b>	page 19
---	---------

---

**Adjustments**

page 21
---------

---

**Progressa Smove**

<b>16 mm (5/8") drawer</b>	Soft close for 13 mm (1/2") to 16 mm (5/8") drawer material thickness	page 28
----------------------------	---	---------

---

**Progressa+ Smove**

<b>16 mm (5/8") drawer</b>	Soft close for 13 mm (1/2") to 16 mm (5/8") drawer material thickness	page 32
----------------------------	---	---------

---

**Progressa+ Push to open**

<b>16 mm (5/8") drawer</b>	Push opening system for 13 mm (1/2") to 16 mm (5/8") drawer material thickness	page 36
----------------------------	--	---------



## Progressa+ Shelf Smove

**G7E6R**

Concealed undermount Shelf runner - Full-extension

page 40

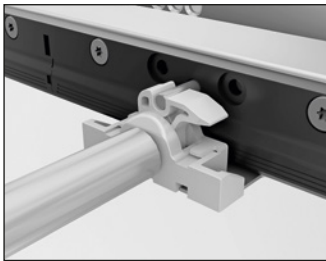


## Progressa+ Shelf Push to open

**G7E6Q**

Concealed undermount Shelf runner - Full-extension

page 44



## Accessories

**Push synchronizer bar**

page 48

**Drilling templates for drawers**

page 51

**Tilt adjustment lever**

page 56

**Side spacer**

page 56

**Spacer for 1/2" drawer sub-fronts**

page 57

**Rear-fixed bracket and magnet - Lock-open function for runners and drawers**

page 58

**Rear hook bracket**

page 58

**Fixing screws and pozi driver**

page 59

**ø 6 mm drill bit for rear hook**

page 60

**Hex key to lock the stop collar set screw onto the 6mm drill bit**

page 60

**Drill bit stop collar for 6 mm bit**

page 60

## Progressa

Introducing **Progressa**, a cutting-edge generation of high-performance, full extension undermount drawer runners that redefine precision and durability.

Crafted using state-of-the-art technology, these slides feature our proprietary “S-Drive” progressive module, ensuring an unparalleled level of functionality.

With static load capacities ranging from 55 kg (120 lbs) on **Progressa** to an impressive 78 kg (170 lbs) on **Progressa+**, and dynamic loads spanning from 45 kg (100 lbs) to 70 kg (154 lbs)\*, these slides deliver robust strength and reliability.

The rack and pinion action guarantees impeccable synchronization, silent movement, and optimal stability for a seamless user experience.

Innovative 6-way adjustable clips set **Progressa** apart, facilitating effortless side, depth, and height adjustments and offering versatility across a wide array of applications. Additionally, each slide provides an optional tilt adjustment for enhanced customization.

**Progressa** slides are available in Soft Close, Integrated Push-to-Open and Shelf versions, covering a length range from 350 mm to 750 mm in 50 mm increments.

Compatible with drawer side material thicknesses between 13 mm (1/2”) and 16 mm (5/8”).

Elevate your drawer experience with **Progressa**, where precision meets innovation.

## Smove



In the Smove version, the **Progressa** runner is equipped with a fully integrated soft close system that decelerates the closing action of the drawer.



\* Per Ansi BHMA A156.9-2020 Grade 1 standard in a frameless cabinet using a 21” runner length and a recommended number of fixing screws.



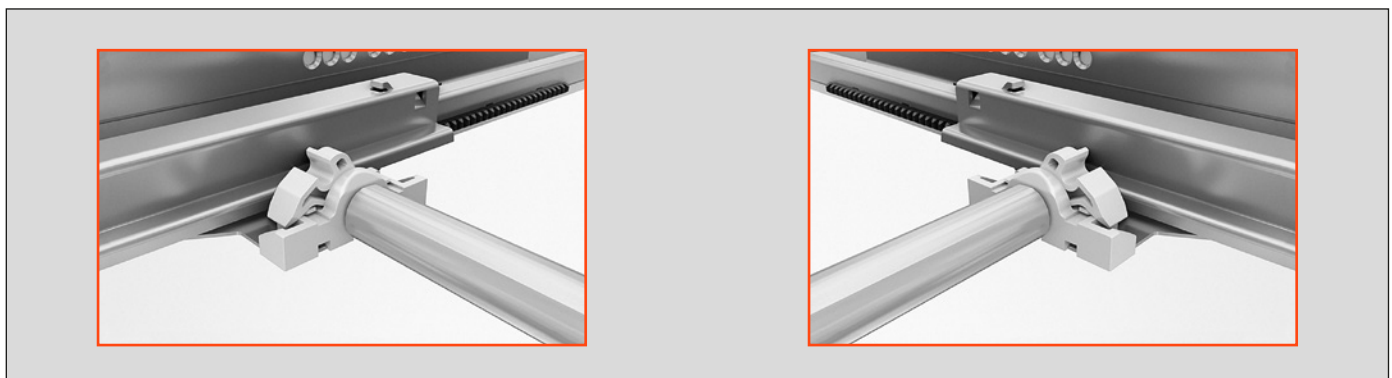


The **Progressa+** runner is also available with integrated Push opening system, for all handle-less drawers. A slight pressure of the drawer front is sufficient for the Push mechanism to release and consequently for the drawer to self-open with minimum effort.



### **Synchronizer for Progressa+ Push slides (Optional)**

The synchronization system for Push-to-Open **Progressa+** slides has been developed to ensure that wider drawers can be opened with minimum effort. Applying pressure on any part of the drawer front (even at the extremities), is sufficient for the Push devices to release and consequently for the drawer to open.



## Progressa

### Front locking devices

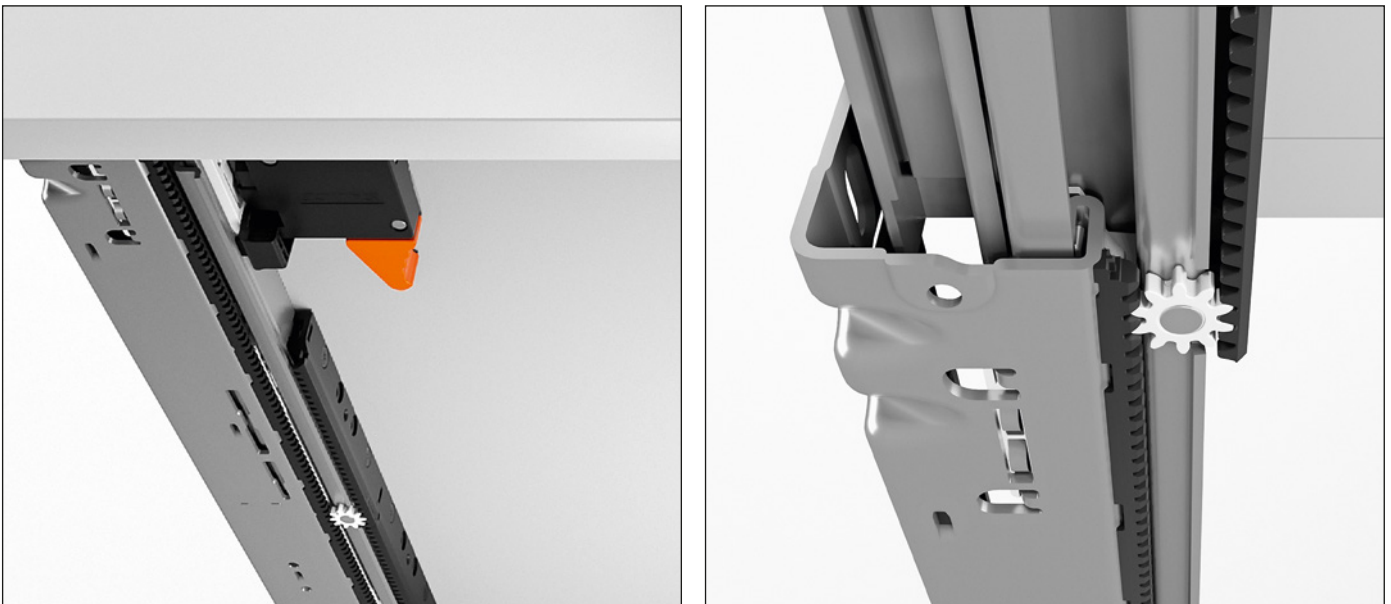
A full range of fixing clip options, ranging from stamped steel 6-way adjustable clips with intuitive side, depth and height adjustments to 2-way adjustable locking devices for more competitive markets.



---

### Salice S-Drive system

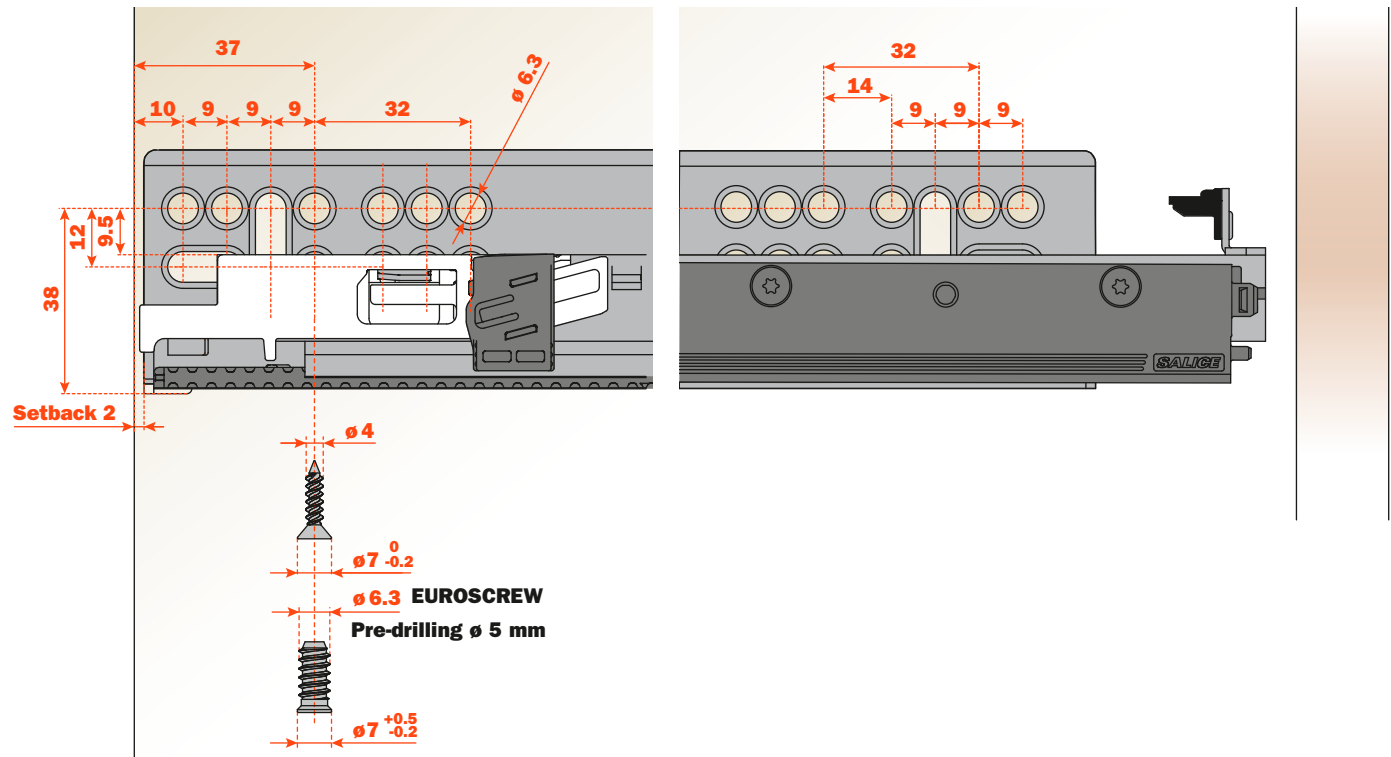
All versions and lengths of Progressa have an integrated rack and pinion system, which synchronizes the sliding elements and guarantees a true progressive action, excellent lateral stability, with any drawer size, and a perfectly silent movement without the need for further components.



# Slide installation

For all Progressa and Progressa+ slides

Mounting full-extension runner on the cabinet side

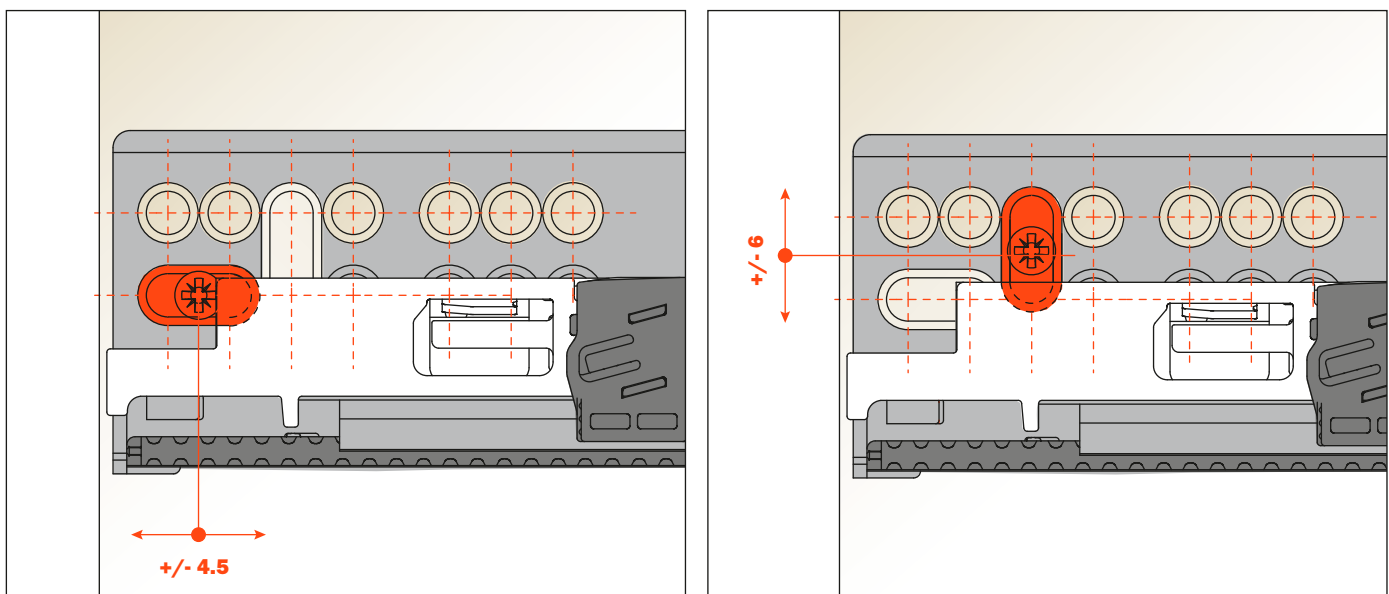


Screws, see page 59.

If runners are mounted before the assembly of the cabinet, we recommend that the inset position of the runner be increased from 38 to 39 mm to accommodate the manufacturing tolerances in the cabinet and the runner.

The oval slots on the runners enable a depth adjustment of +/- 4.5 mm and a height adjustment of +/- 6 mm to be made.

These adjustments are in addition to those incorporated in the fixing clips and in the runner (**Adjustments**, see page 21).



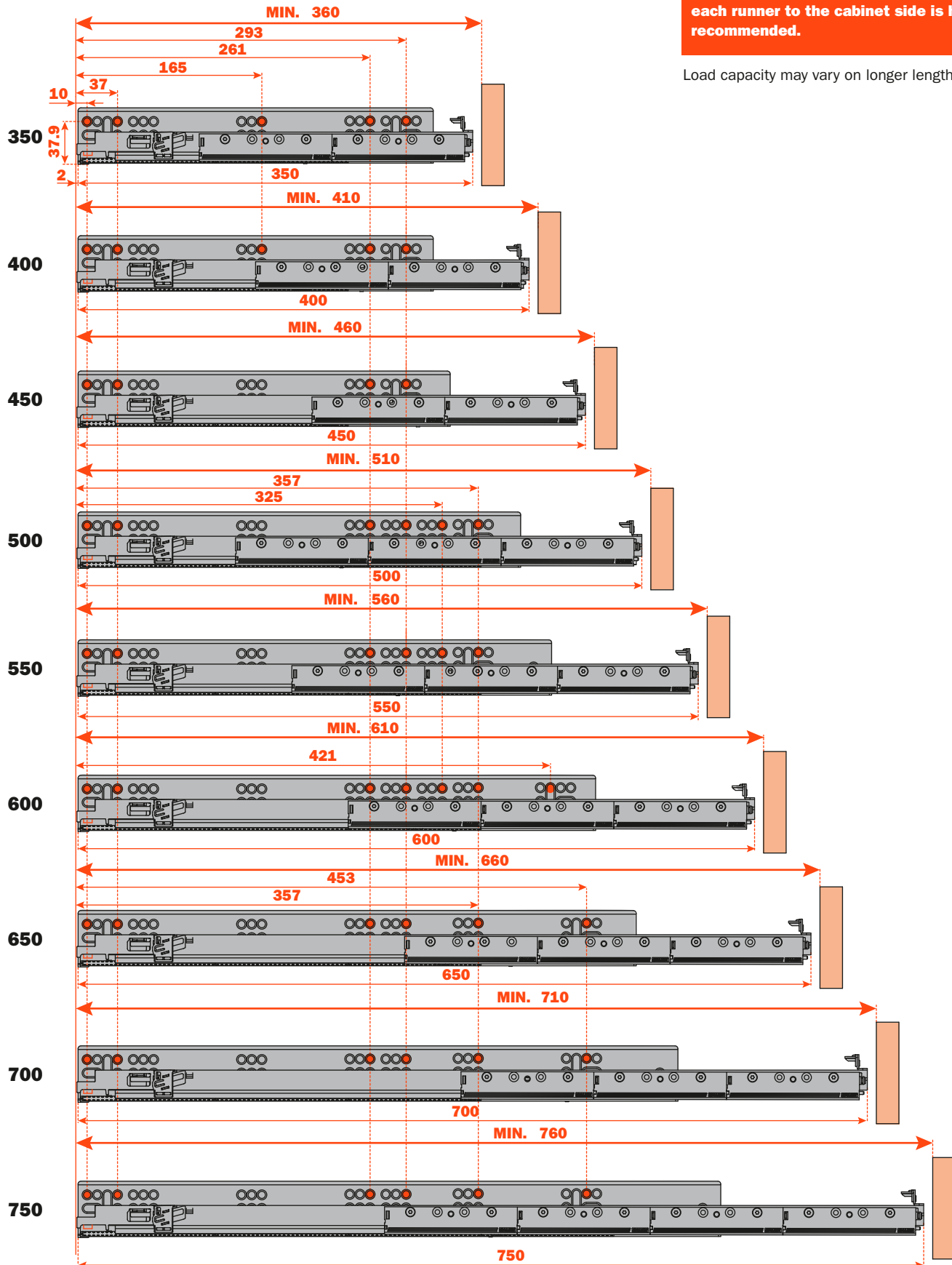
## Drilling positions for runner on cabinet side

### For all Progressa and Progressa+ slides

Please refer to the specific product pages in this catalog for all technical data

**The use of at least 4 fixing screws for each runner to the cabinet side is highly recommended.**

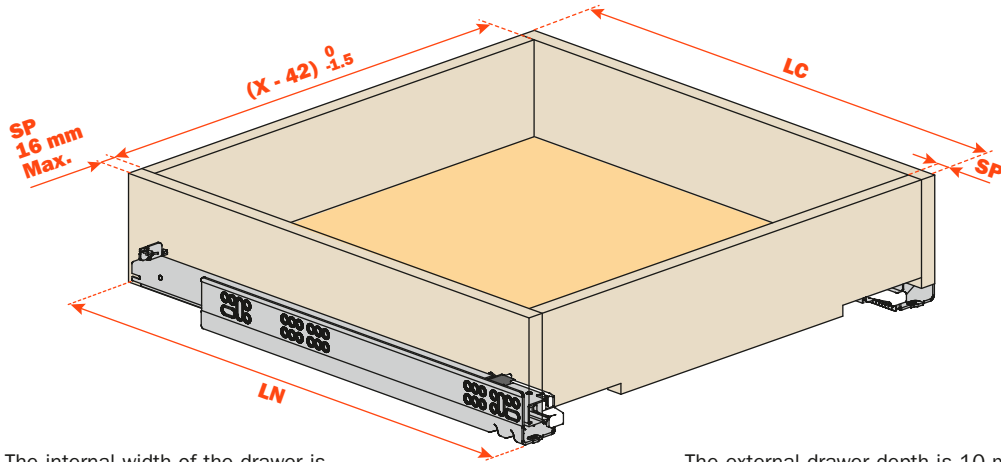
Load capacity may vary on longer lengths.



# Drawer dimensions and drilling

## For all Progressa and Progressa+ slides

Full-extension runner for 13 mm (1/2") to 16 mm (5/8") drawer material thickness



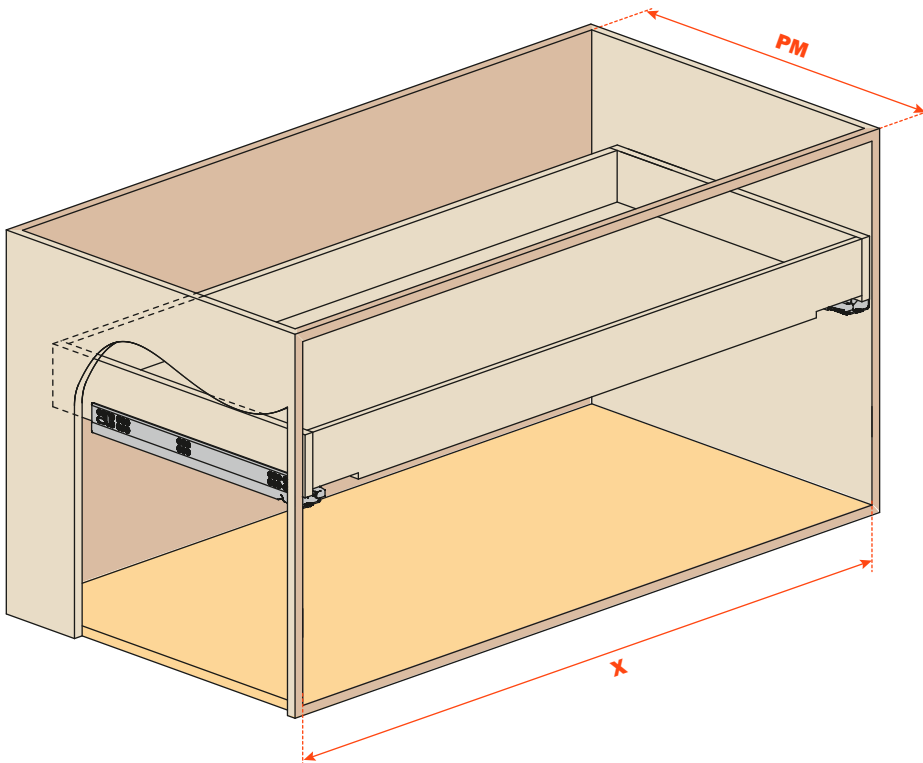
The internal width of the drawer is 42 mm to 43.5 mm less than the internal width of the cabinet

The external drawer depth is 10 mm less than the runner length

For drawer sides with sub-fronts between 12 and 13 mm (1/2"), we recommend the use of the build-up spacer **AFSFXXB**.

See page 57 for specs.

**SP** = Drawer thickness



RUNNER LENGTH (LN)	External DRAWER DEPTH (LC)
350 mm	340 mm
400 mm	390 mm
450 mm	440 mm
500 mm	490 mm
550 mm	540 mm
600 mm	590 mm
650 mm	640 mm
700 mm	690 mm
750 mm	740 mm

### Abbreviations

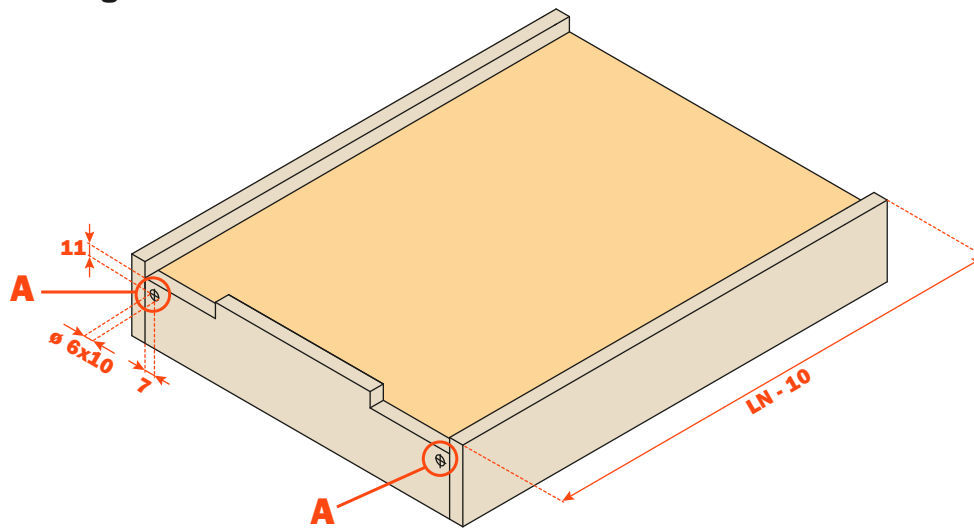
- SP** = Drawer thickness
- LC** = Drawer depth
- PM** = Cabinet depth
- X** = Cabinet internal width
- LN** = Nominal runner length



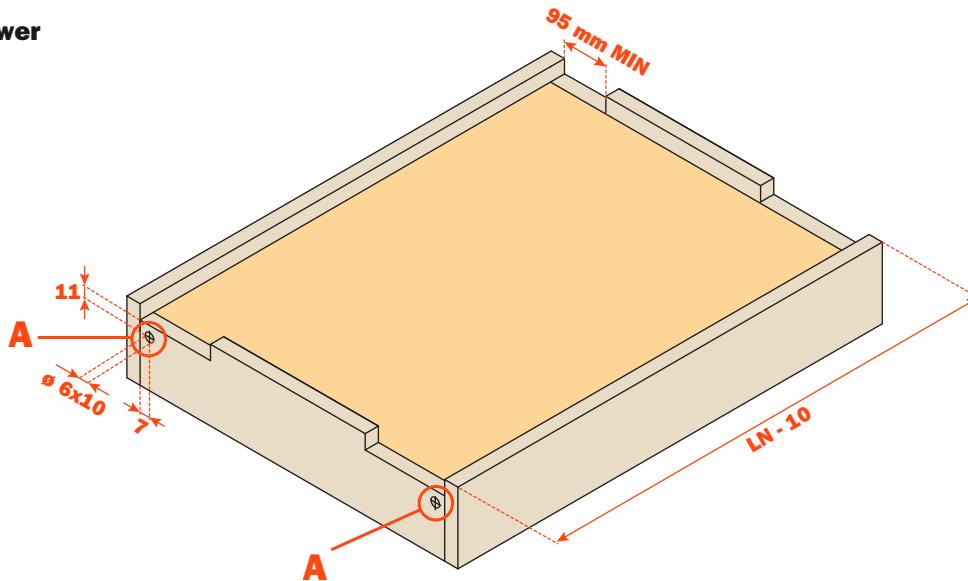
## Drawer drilling

For all Progressa and Progressa+ slides

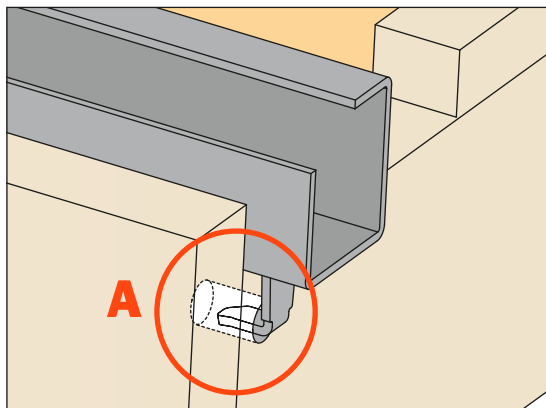
### 3-SIDED drawer



### 4-SIDED drawer

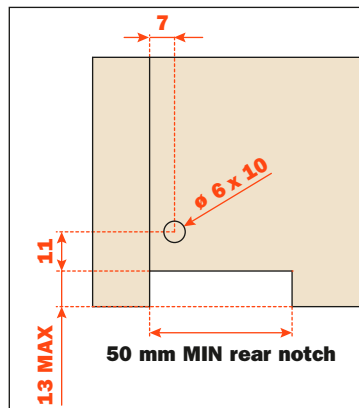


### REAR HOOK

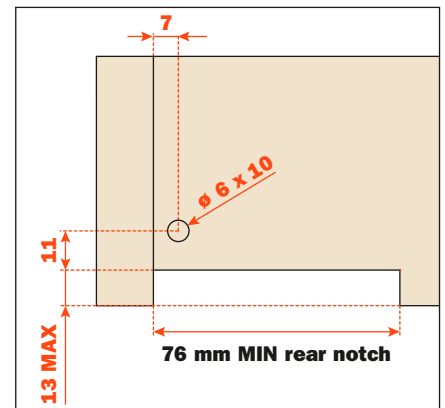


Use **drilling templates** for rear hook, see page 51 and 53.

### REAR NOTCH with Smove and Push runners



### REAR NOTCH with Push Synchronizer and tilt adjustment lever

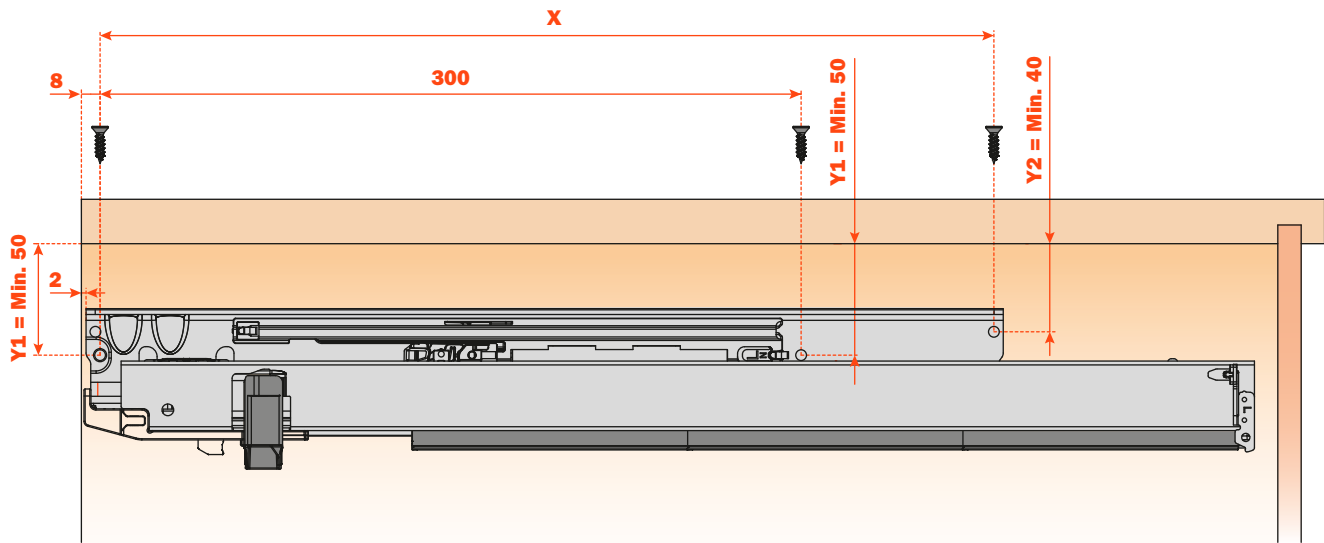


**Progressa+ Push Synchronizer**, see page 48.  
**AGLRXX3F Tilt adjustment lever**, see page 56.

## Technical information

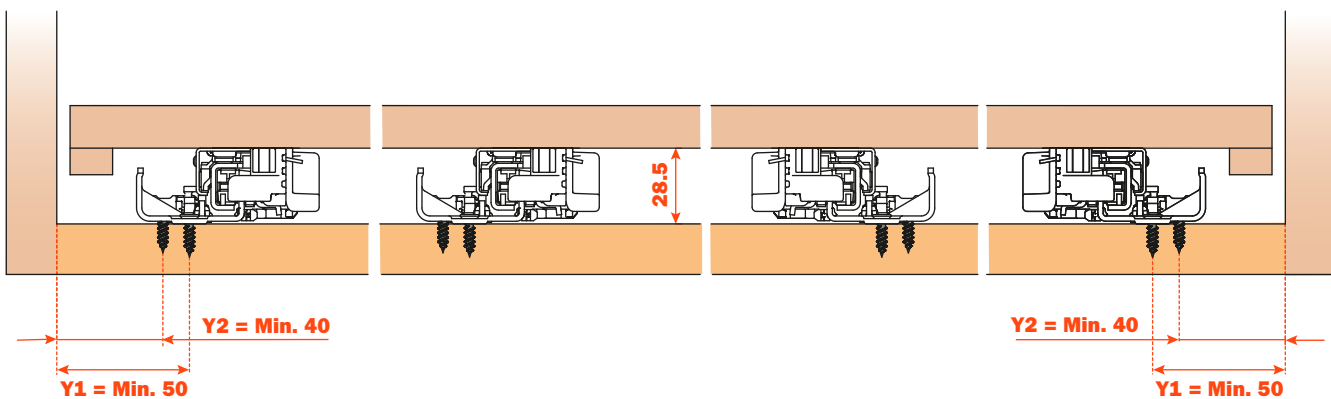
### For Progressa+ Shelf slides

#### Plan view - Full-extension



RUNNER LENGTH (LN)	X
350 mm	305 mm
400 mm	305 mm
450 mm	320 mm
500 mm	382.5 mm

#### Dimensions



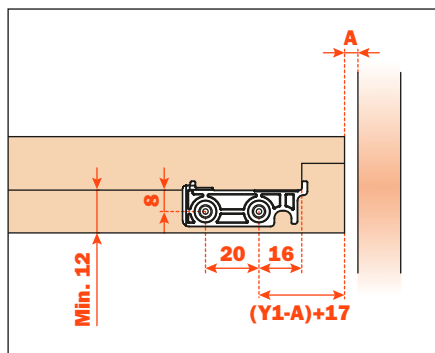
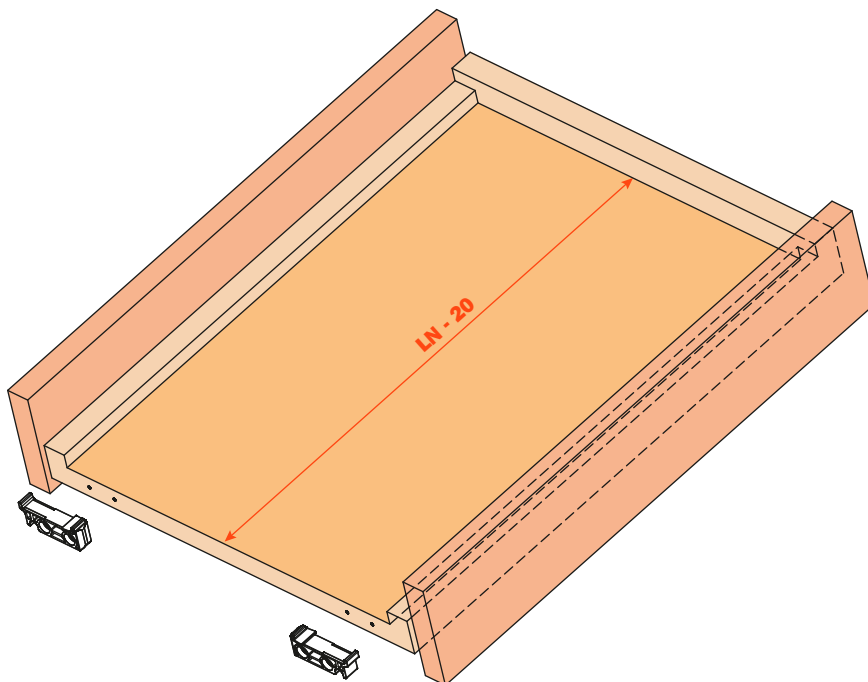
With larger shelves, it is possible to increase the number of runners in order to improve the load capacity and the stability.

**Technical information - Rear hook**

**For Progressa+ Shelf slides**

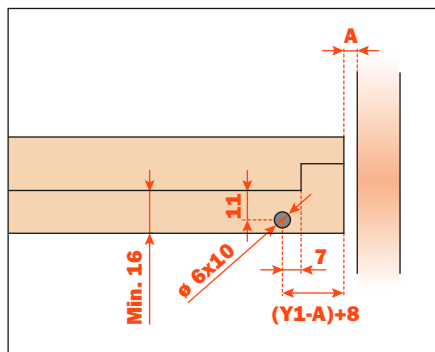
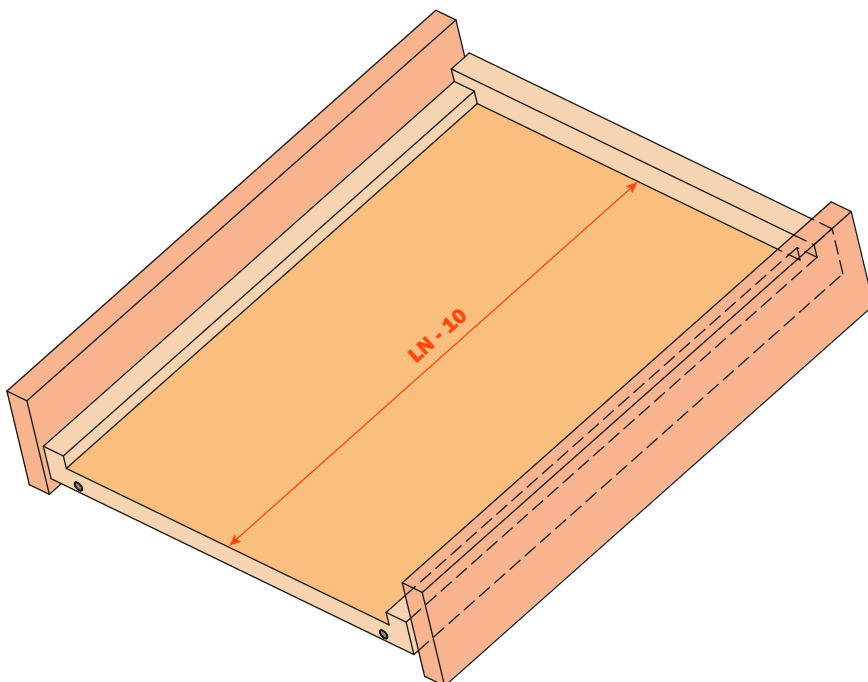
**Assembly on the pull-out shelf with a 12 mm minimum thickness**

Rear hook bracket **AGAPXXYI**



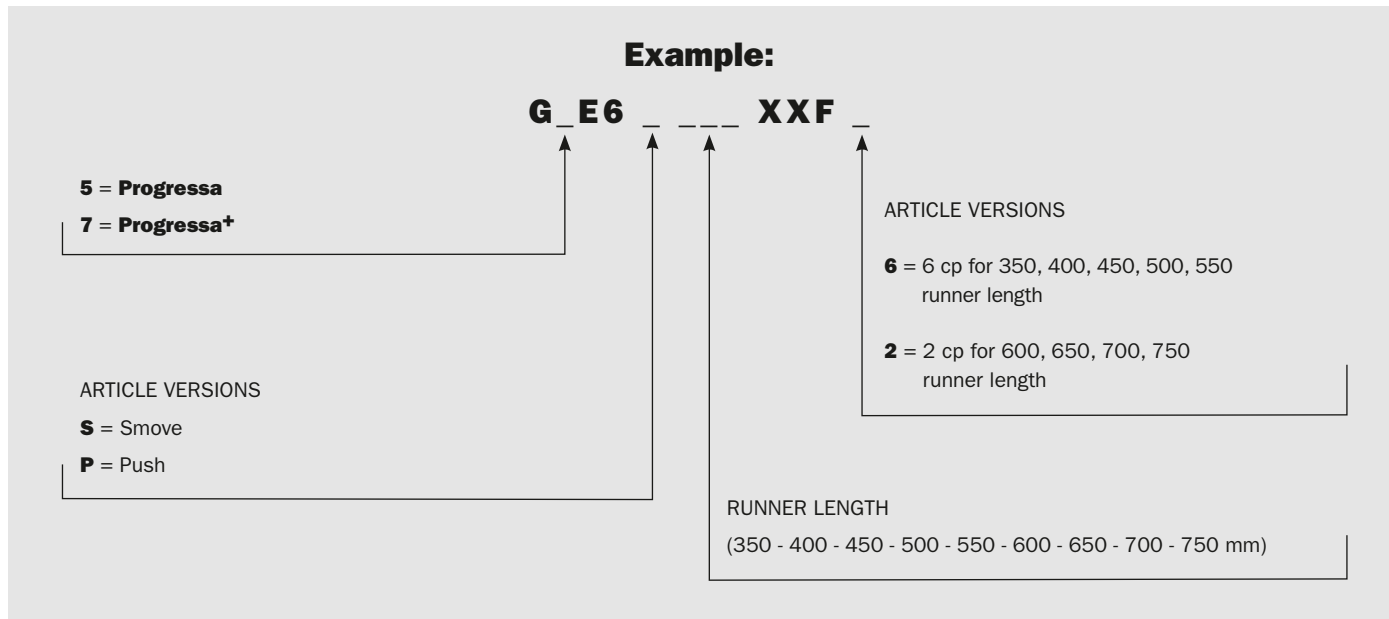
**Y1 = Min. 50 mm**

**Assembly on the pull-out shelf with a 16 mm minimum thickness**



**Y1 = Min. 50 mm**

## Part number composition - For Progressa and Progressa+ Slides



## Packaging

### Progressa Smove

**16 mm (5/8") drawer** Soft close for 13 mm (1/2") to 16 mm (5/8") material thickness

SMOVE	LENGTH	BOX	PALLET
<b>A6555/25</b>	250 mm	6 cp	240 cp
<b>A6555/30</b>	300 mm	6 cp	240 cp
<b>G5E6S350XXF6</b>	350 mm	6 cp	192 cp
<b>G5E6S400XXF6</b>	400 mm	6 cp	192 cp
<b>G5E6S450XXF6</b>	450 mm	6 cp	192 cp
<b>G5E6S500XXF6</b>	500 mm	6 cp	192 cp
<b>G5E6S550XXF6</b>	550 mm	6 cp	192 cp

## Packaging

### Progressa+ Smove

**16 mm (5/8") drawer** Soft close for 13 mm (1/2") to 16 mm (5/8") material thickness

SMOVE	LENGTH	BOX	PALLET
G7E6S350XXF6	350 mm	6 cp	192 cp
G7E6S400XXF6	400 mm	6 cp	192 cp
G7E6S450XXF6	450 mm	6 cp	192 cp
G7E6S500XXF6	500 mm	6 cp	192 cp
G7E6S550XXF6	550 mm	6 cp	192 cp
G7E6S600XXF2	600 mm	2 cp	128 cp
G7E6S650XXF2	650 mm	2 cp	128 cp
G7E6S700XXF2	700 mm	2 cp	128 cp
G7E6S750XXF2	750 mm	2 cp	128 cp

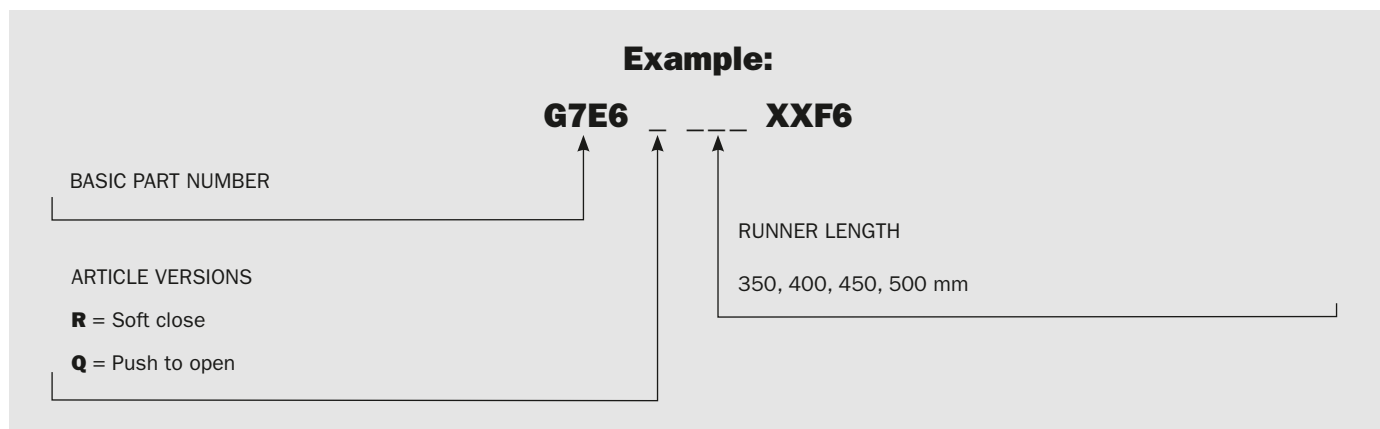
### Progressa+ Push to open

**16 mm (5/8") drawer** Push opening system for 13 mm (1/2") to 16 mm (5/8") material thickness

PUSH	LENGTH	BOX	PALLET
G7E6P350XXF6	350 mm	6 cp	192 cp
G7E6P400XXF6	400 mm	6 cp	192 cp
G7E6P450XXF6	450 mm	6 cp	192 cp
G7E6P500XXF6	500 mm	6 cp	192 cp
G7E6P550XXF6	550 mm	6 cp	192 cp
G7E6P600XXF2	600 mm	2 cp	128 cp
G7E6P650XXF2	650 mm	2 cp	128 cp
G7E6P700XXF2	700 mm	2 cp	128 cp
G7E6P750XXF2	750 mm	2 cp	128 cp



## Part number composition - For Progressa+ Shelf Slides



## Packaging

### Progressa+ Shelf Smove

SMOVE	LENGTH	BOX	PALLET
<b>G7E6R350XXF6</b>	350 mm	6 prs	192 prs
<b>G7E6R400XXF6</b>	400 mm	6 prs	192 prs
<b>G7E6R450XXF6</b>	450 mm	6 prs	192 prs
<b>G7E6R500XXF6</b>	500 mm	6 prs	192 prs

### Progressa+ Shelf Push to open

PUSH	LENGTH	BOX	PALLET
<b>G7E6Q350XXF6</b>	350 mm	6 prs	192 prs
<b>G7E6Q400XXF6</b>	400 mm	6 prs	192 prs
<b>G7E6Q450XXF6</b>	450 mm	6 prs	192 prs
<b>G7E6Q500XXF6</b>	500 mm	6 prs	192 prs

## Components

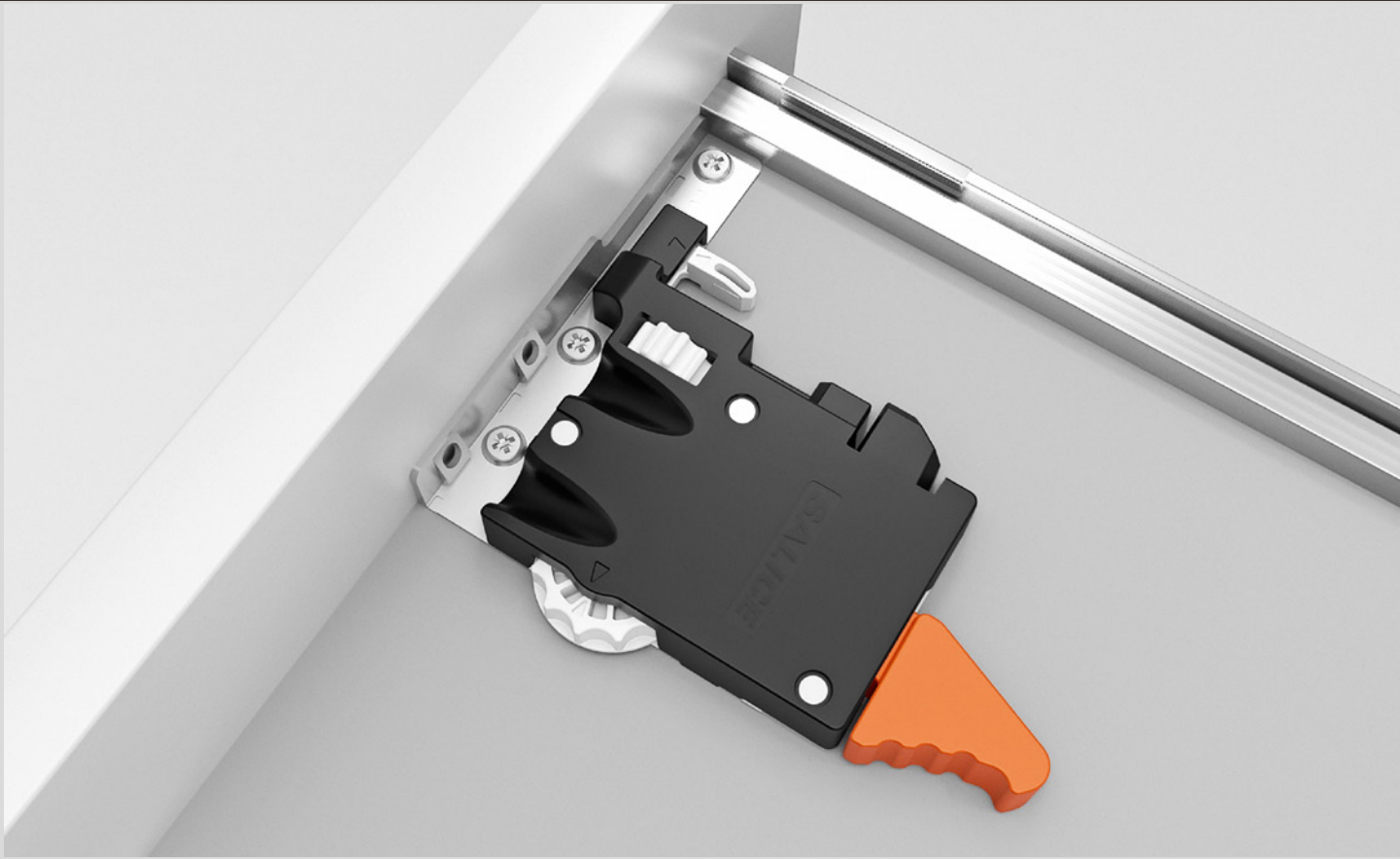
<b>FRONT LOCKING DEVICES</b>	<b>BOX</b>	<b>PALLET</b>
<b>AFCGXX3B</b>	100 pcs right / 100 pcs left	2400 pcs right / 2400 pcs left
<b>AFCEX56B</b>	100 pcs right / 100 pcs left	2400 pcs right / 2400 pcs left

<b>TILT ADJUSTMENT LEVER</b>	<b>BOX</b>	<b>PALLET</b>
<b>AGLRXX3F</b>	12 pcs right / 12 pcs left	2400 pcs right / 2400 pcs left

<b>SPACERS</b>	<b>BOX</b>	<b>PALLET</b>
<b>ASPACERFUT</b>	100 pcs	-
<b>AFSFXXB</b>	100 pcs	-

<b>REAR-FIXED BRACKET AND MAGNET (SHELF)</b>	<b>BOX</b>	<b>PALLET</b>
<b>AROSXXY</b>	20 magnets, 20 brackets	-

<b>REAR HOOK BRACKET (SHELF)</b>	<b>BOX</b>	<b>PALLET</b>
<b>AGAPXXYI</b>	100 pcs	-

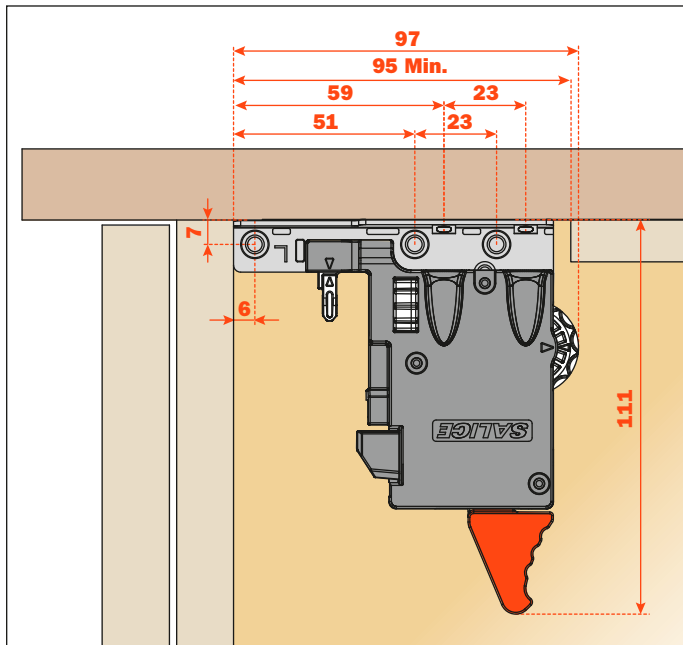


# Front locking devices

## Front locking devices - Standard mount - Side and depth adjustments

### For all Progressa, Progressa+ and Progressa+ Shelf slides

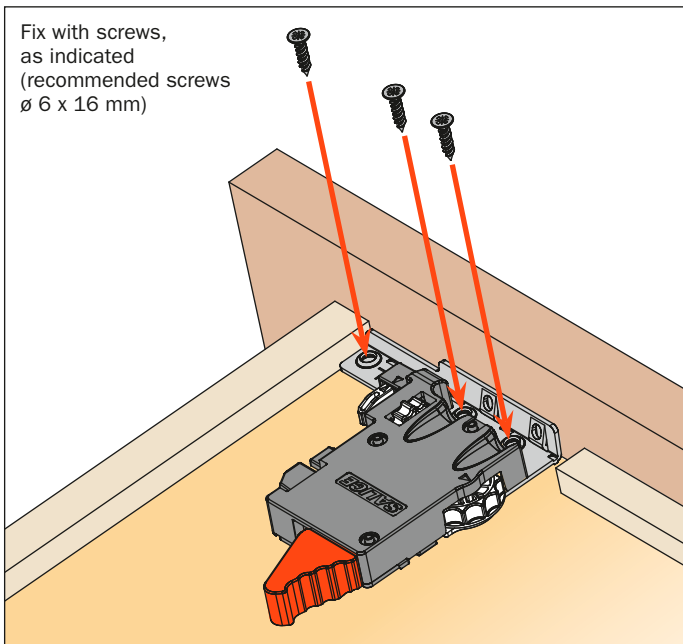
- Dual steel/fiber glass-nylon construction
- Compatible with all Progressa slides
- Tool free lateral and depth adjustments
- Pre-drilling recommended  $\varnothing$  2.5 mm (3/32")



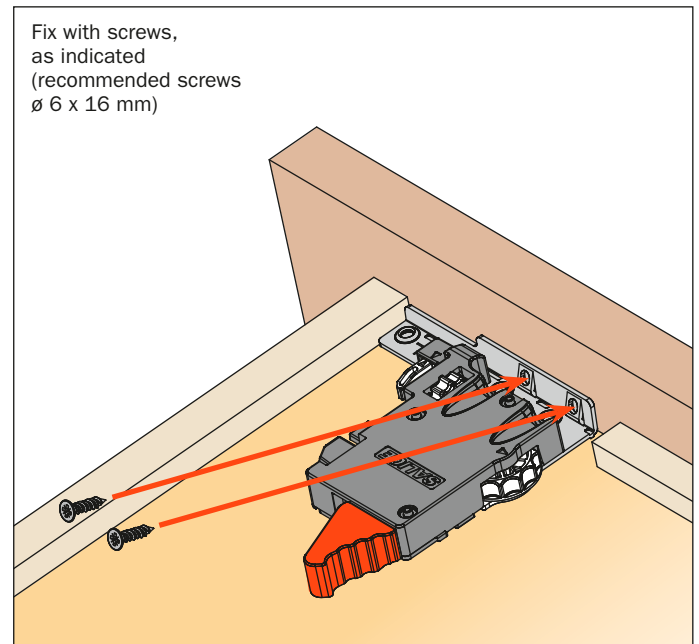
#### AFCGXX3B

PACKAGING  
2 boxes = 100 pcs right and 100 pcs left

#### Assembly to the bottom



#### Assembly to the drawer

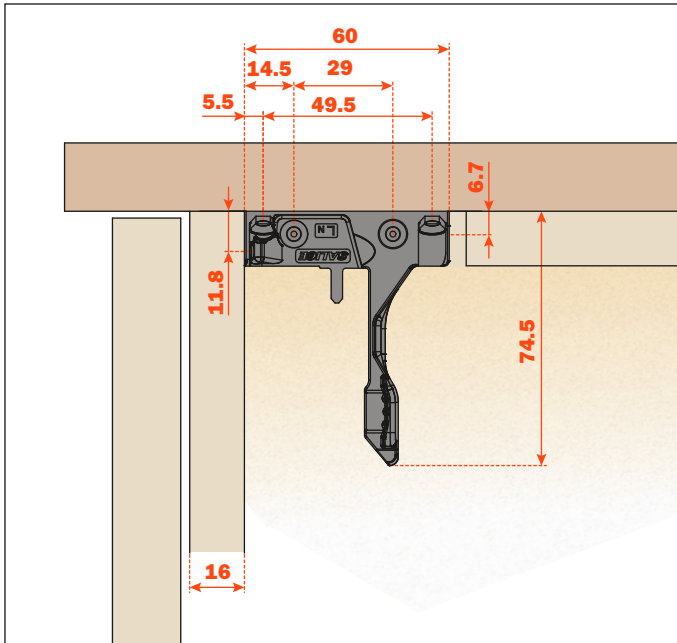


Use **drilling template ASGD704U3XA** for accurate installation of the clips, see page 51.

## Front locking devices - Standard mount - Front and side fixing

### For all Progressa, Progressa+ and Progressa+ Shelf slides

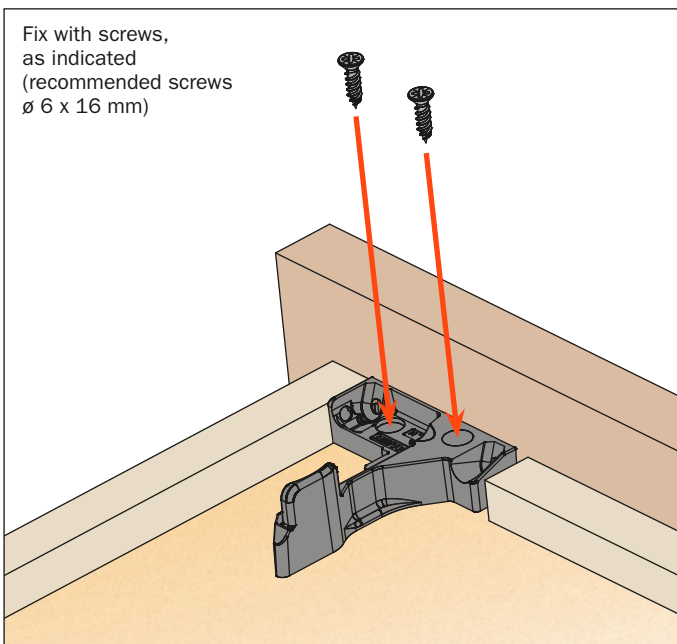
- Engineered thermoplastics
- Compatible with all Progressa slides
- Side fixing option
- Pre-drilling recommended  $\varnothing$  2.5 mm (3/32")
- Minimum inside drawer width 130 mm
- Minimum inside cabinet width 172 mm



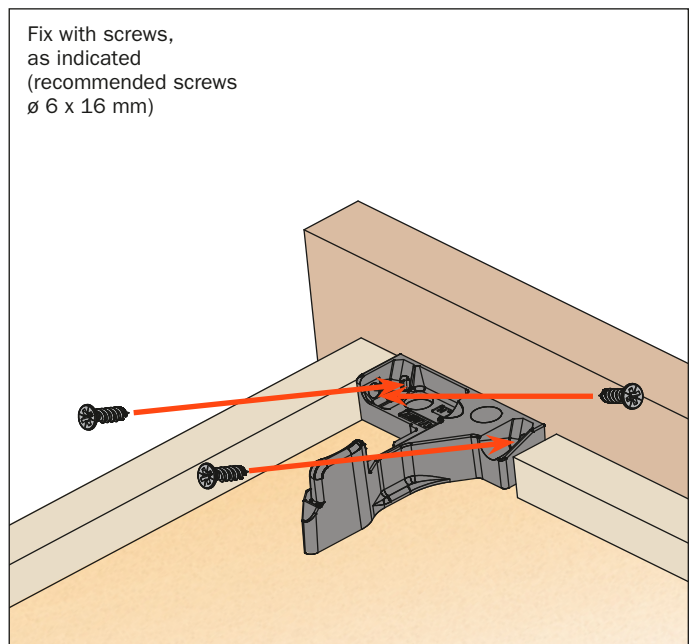
### AFCEX56B

PACKAGING  
2 boxes = 100 pcs right and 100 pcs left

### Assembly to the bottom



### Assembly to the drawer



Use **drilling template ASGD504U6XA** for accurate installation of the clips, see page 53.

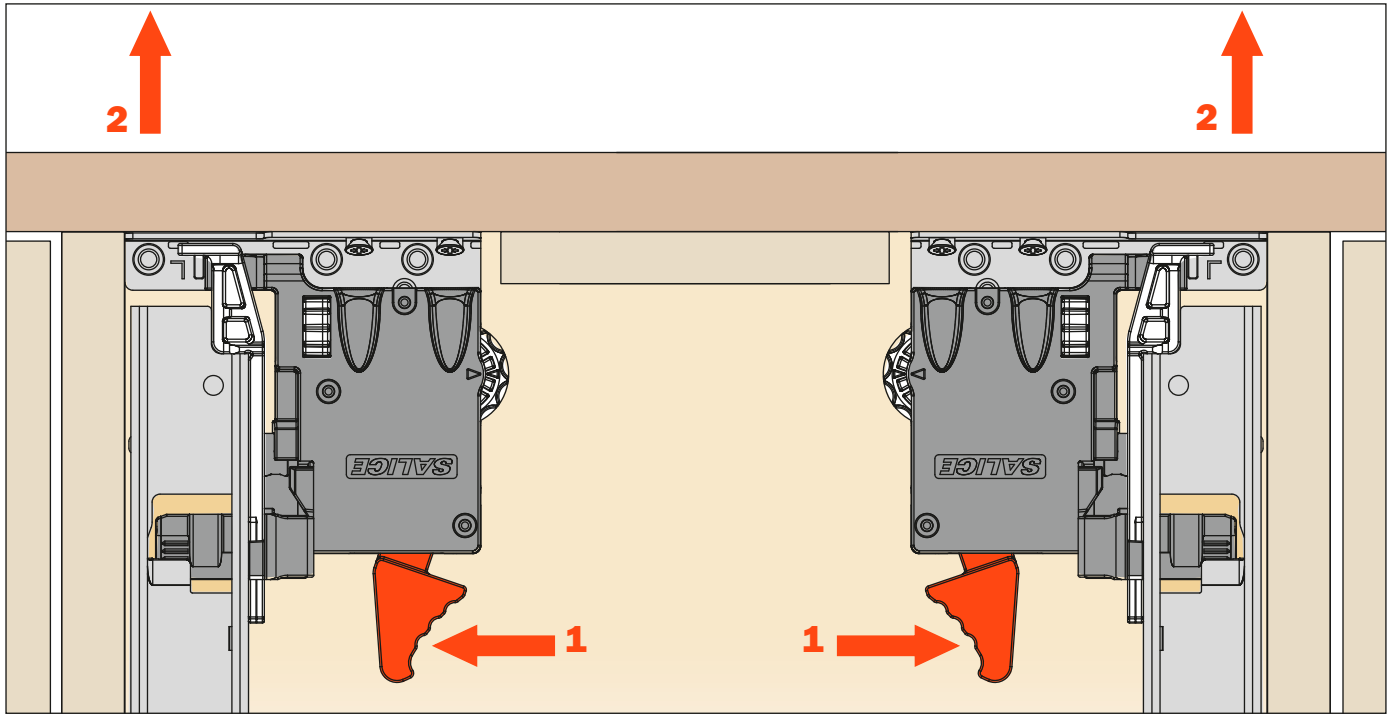


## Drawer removal

### Standard 6-way locking device - Side and depth adjustments

#### For all Progressa, Progressa+ and Progressa+ Shelf slides

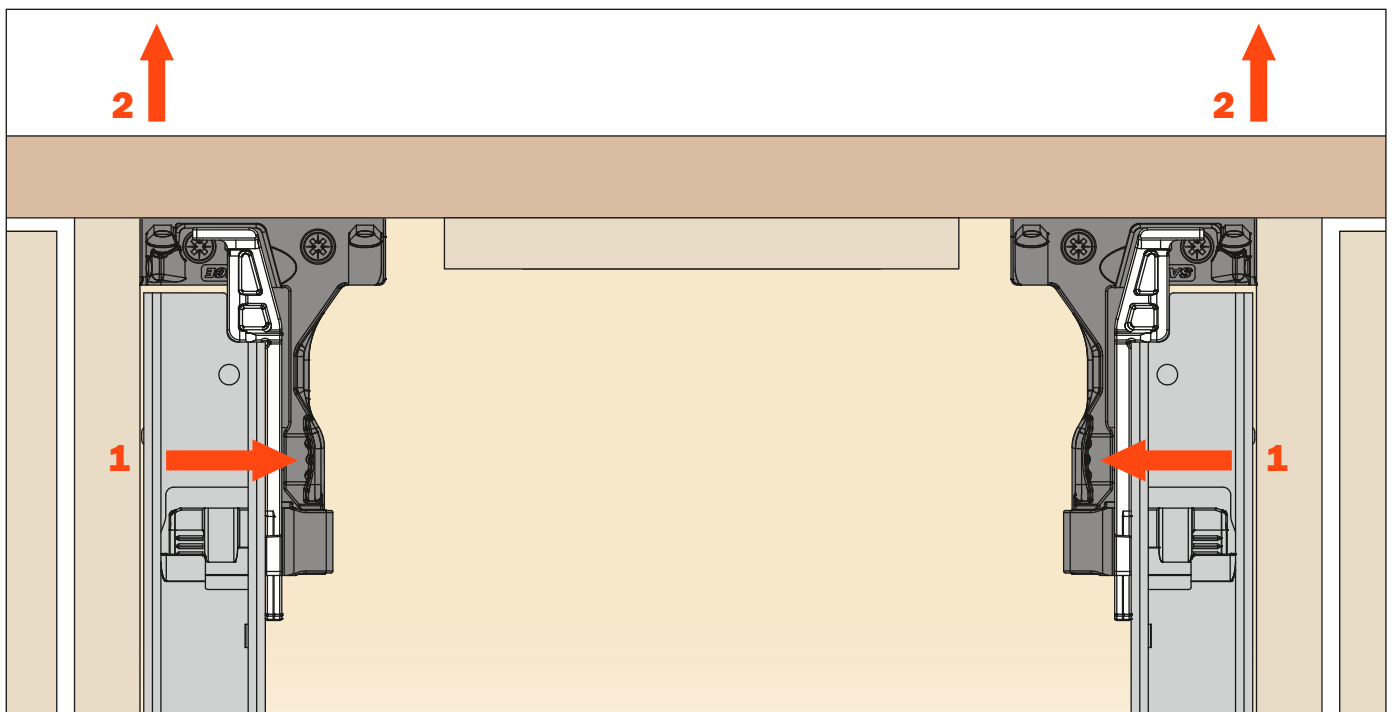
Position hands under the front of the drawer and press on the orange levers, as indicated in the drawing, sliding the drawer out of the cabinet.

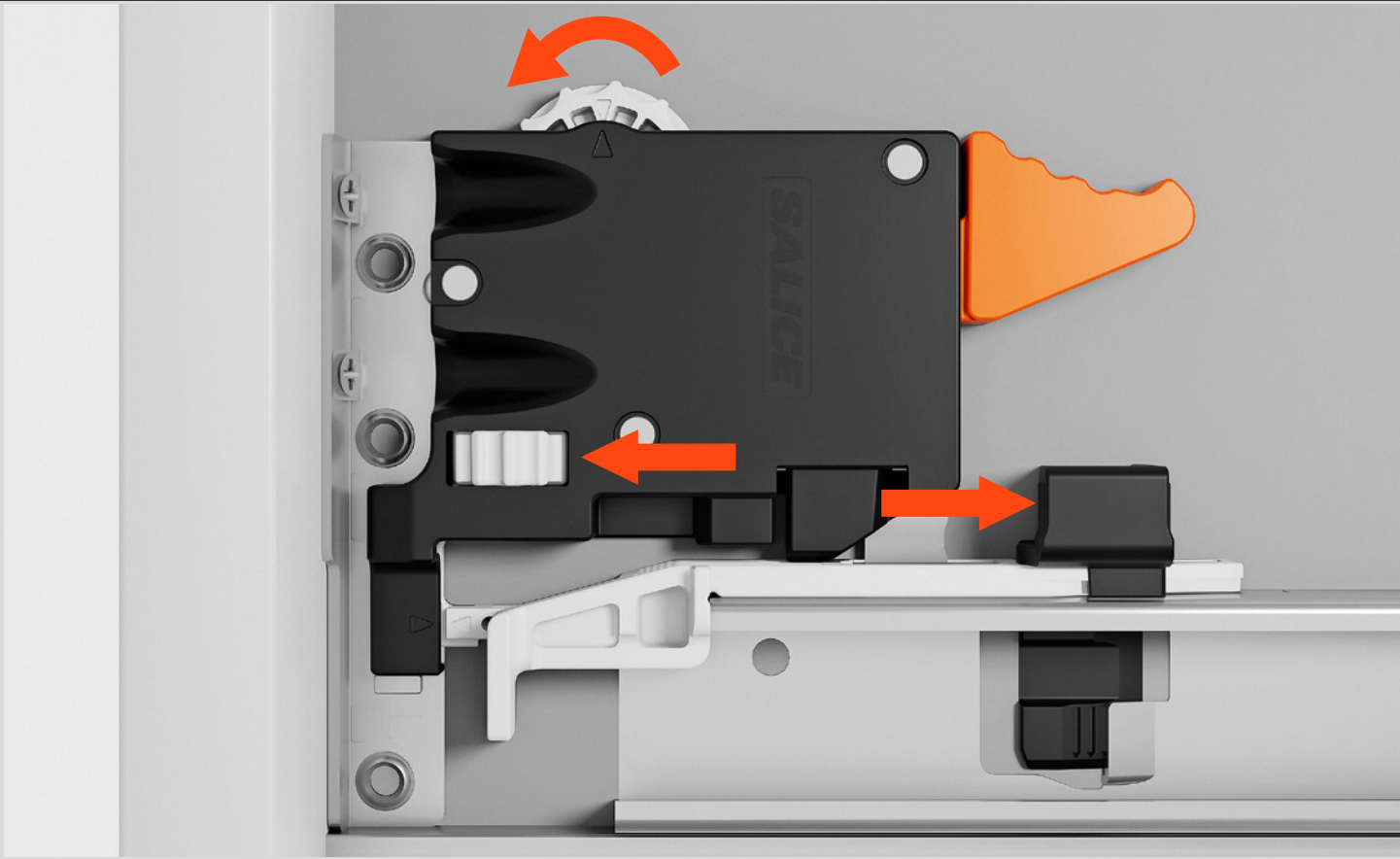


### Standard 2-way locking device - Front and side fixing

#### For all Progressa, Progressa+ and Progressa+ Shelf slides

Position hands under the front of the drawer and press on the black levers, as indicated in the drawing, sliding the drawer out of the cabinet.



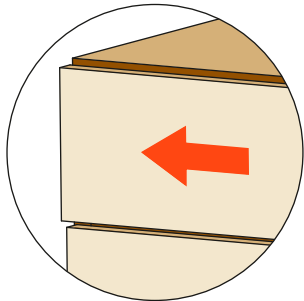
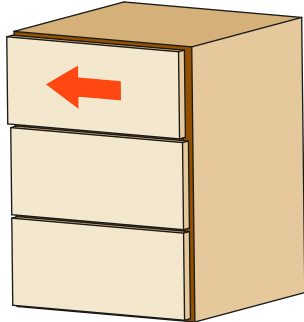


# Adjustments

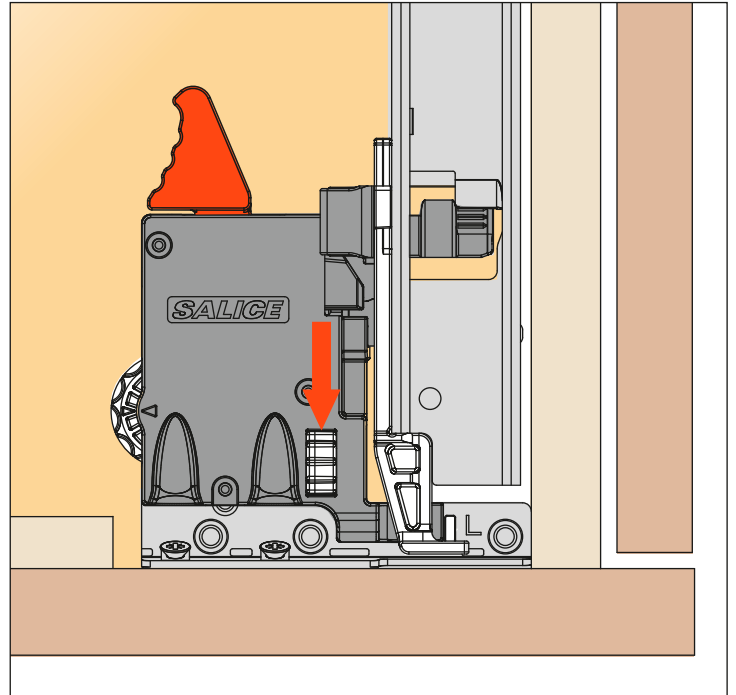
## Side adjustment +/- 1.5 mm

For all Progressa, Progressa+ and Progressa+ Shelf slides

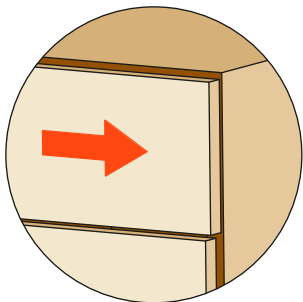
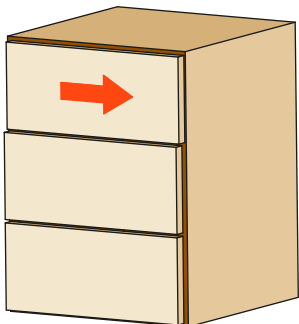
Rotate the white wheel towards the drawer front to adjust left.  
This operation is tool free.



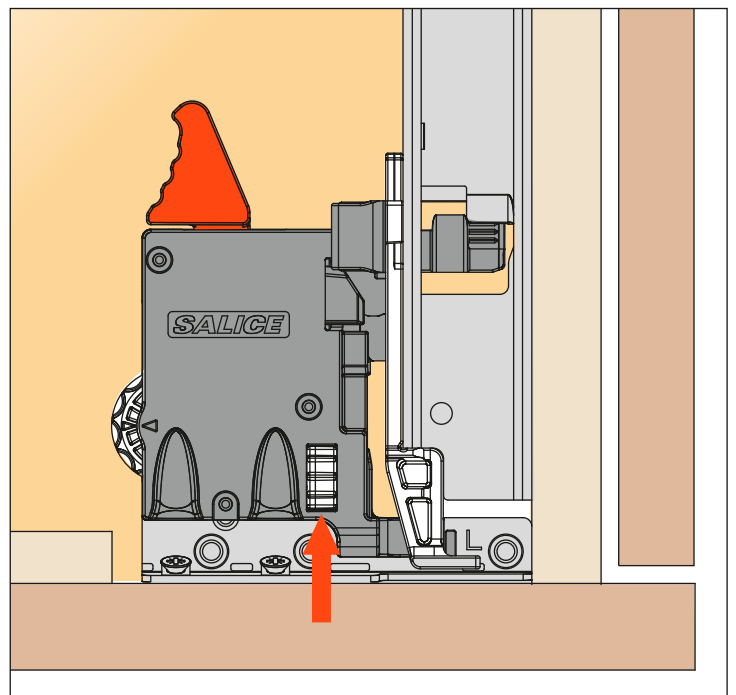
**1.5 mm**



Rotate the white wheel towards the back of the drawer to adjust right.  
This operation is tool free.



**1.5 mm**

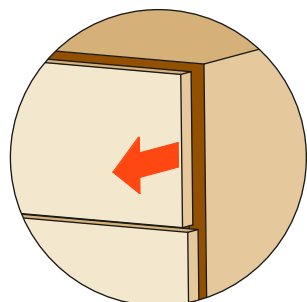
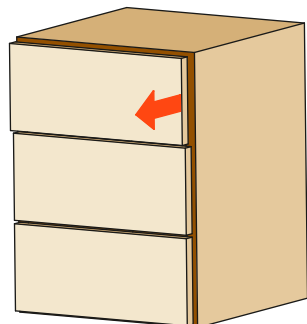


For side adjustment, it is recommended that the wheels on the clips are operated in the same direction, in order to maintain the correct alignment and movement of the runners.

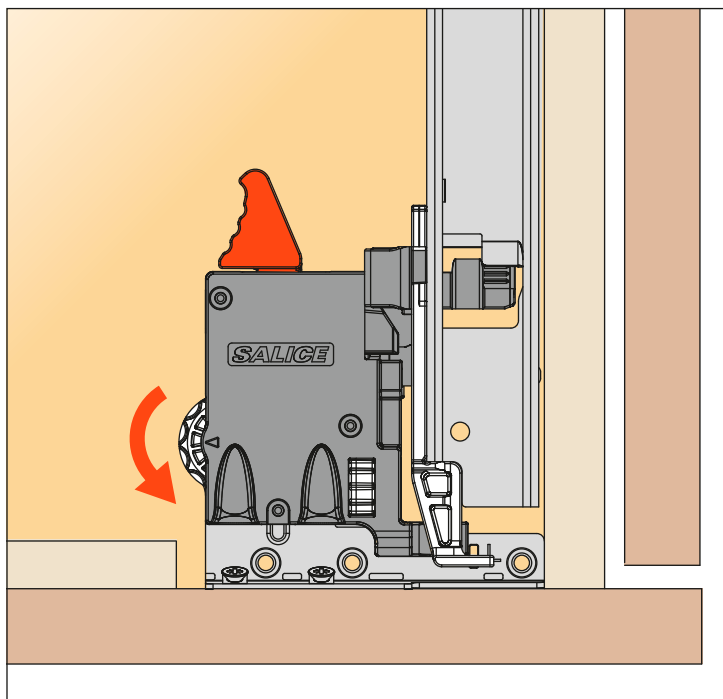
## Depth adjustment +/- 3 mm

### For all Progressa, Progressa+ and Progressa+ Shelf slides

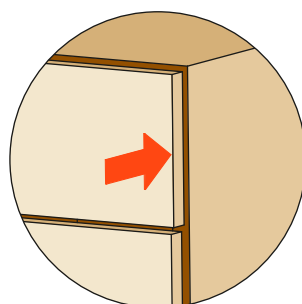
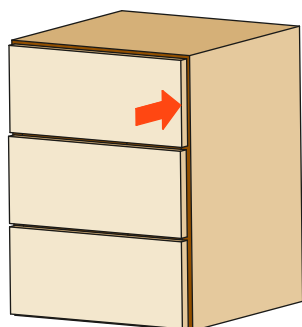
Rotate the white wheel (see drawing) towards the outside of the drawer to increase the gap between the front and the side. This operation is tool free.



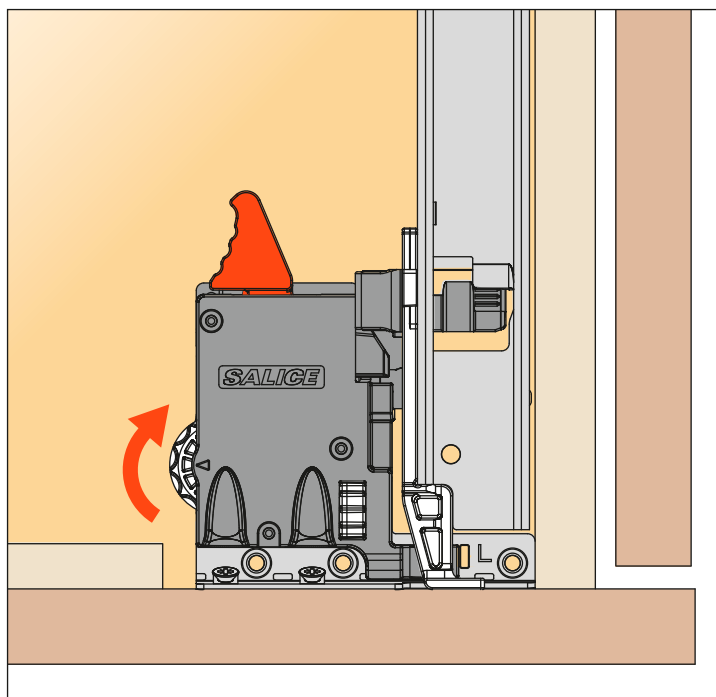
**+ 3 mm**



Rotate the white wheel (see drawing) towards the inside of the drawer to reduce the gap between the front and the side. This operation is tool free.



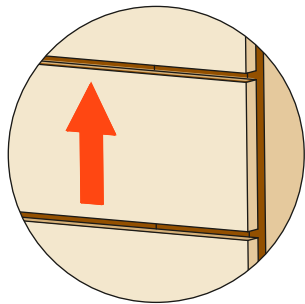
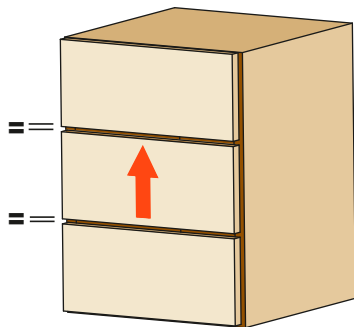
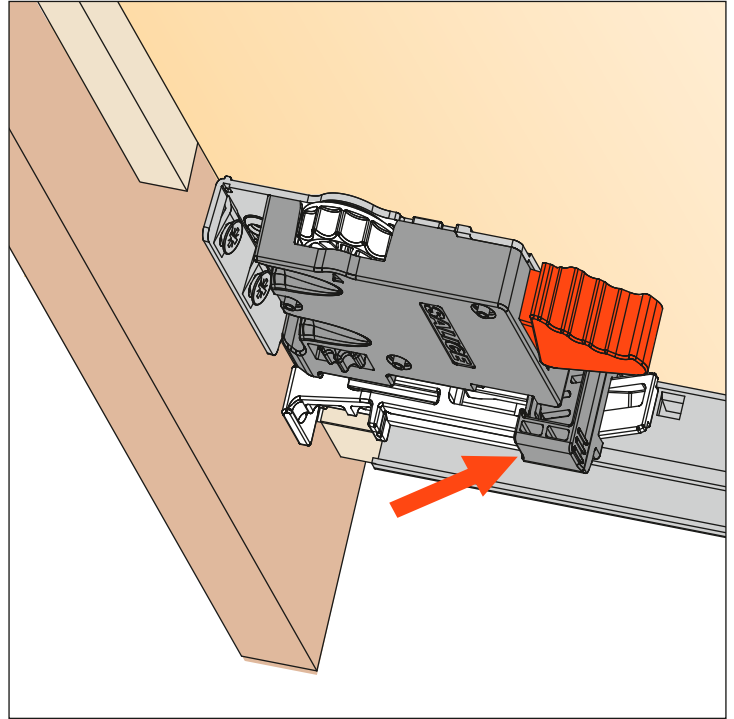
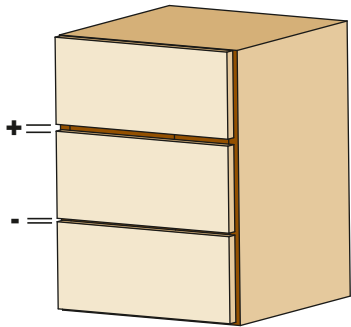
**- 3 mm**



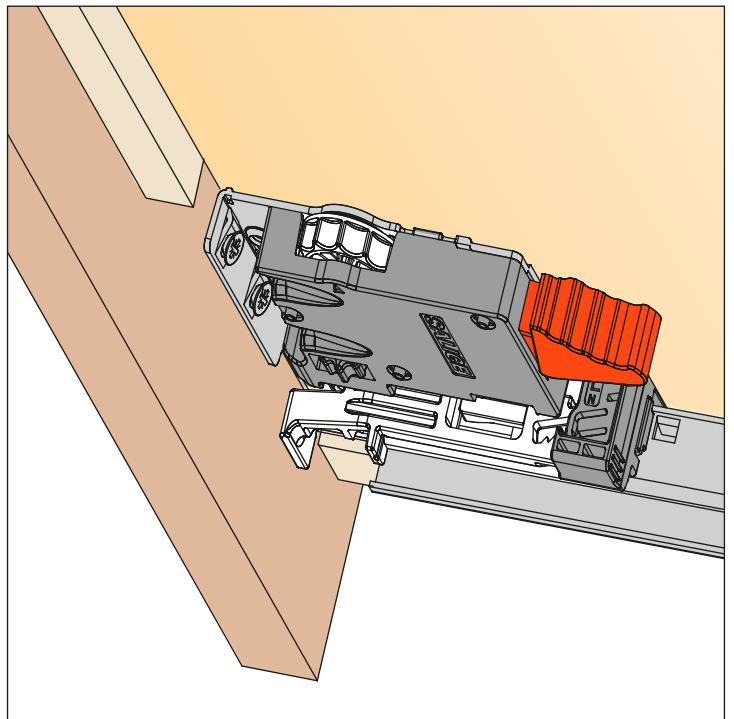
## Height adjustment + 2.5 mm

For all Progressa, Progressa+ and Progressa+ Shelf slides

Push the lever towards the inside of the drawer to achieve height adjustment.  
This operation is tool free.



**2.5 mm**

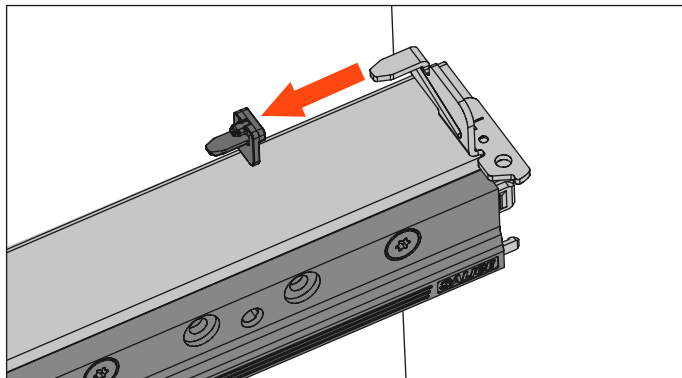




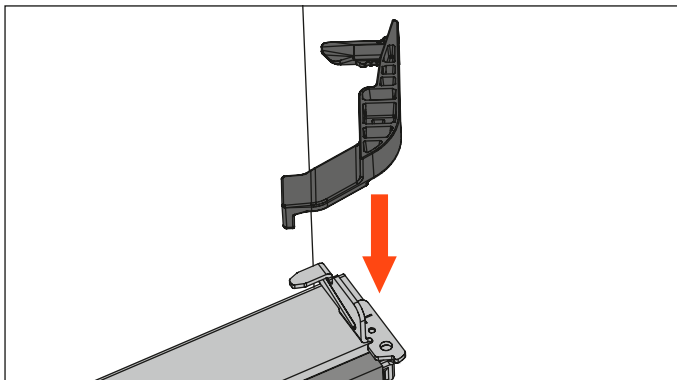
## Assembly of tilt adjustment levers (optional)

### For all Progressa and Progressa+ slides

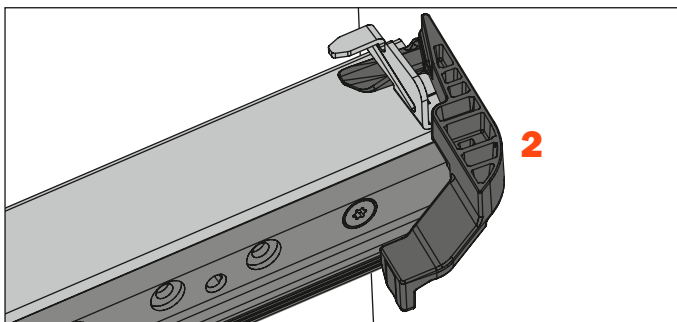
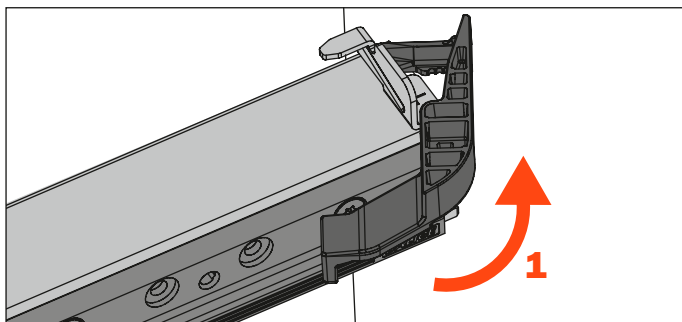
Pull out the drawer and remove the plastic insert, both right and left.



Insert the tilt adjustment levers **AGLRXX3F**, both right and left.

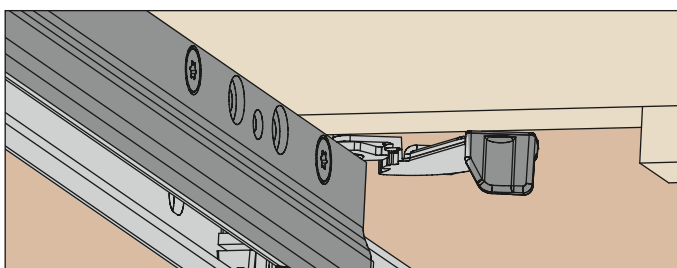
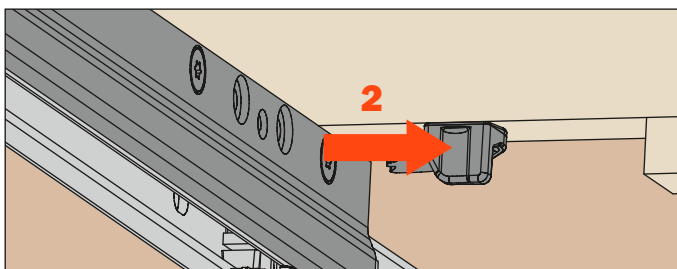
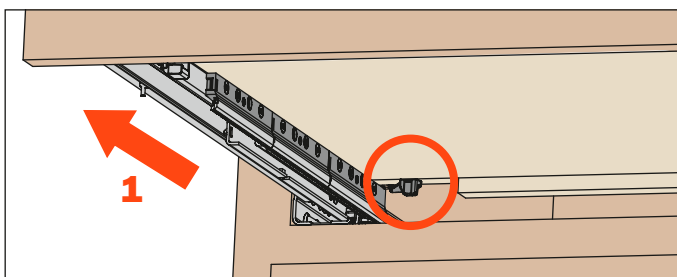
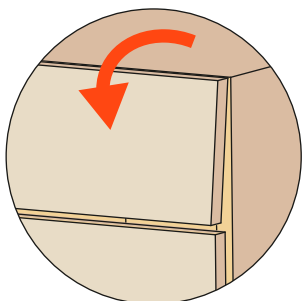
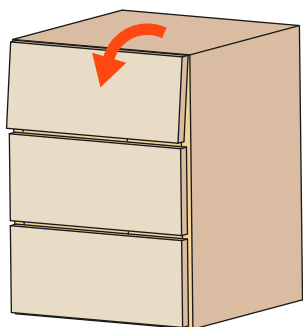


Rotate the lever to adjust.



### Tilt adjustment + 3 mm

Open the drawer (1) and press the lever towards the back of the cabinet (2) to achieve the adjustment.  
Maximum 3 mm (1/8") rise of drawer back (tool free).



**Drawer back preparation**, see page 10.  
**AGLRXX3F tilt adjustment lever**, see page 56.





# Progressa Smove

**Progressa - Full extension runner for 13 mm (1/2") to 16 mm (5/8") drawer material thickness**  
**Smove**

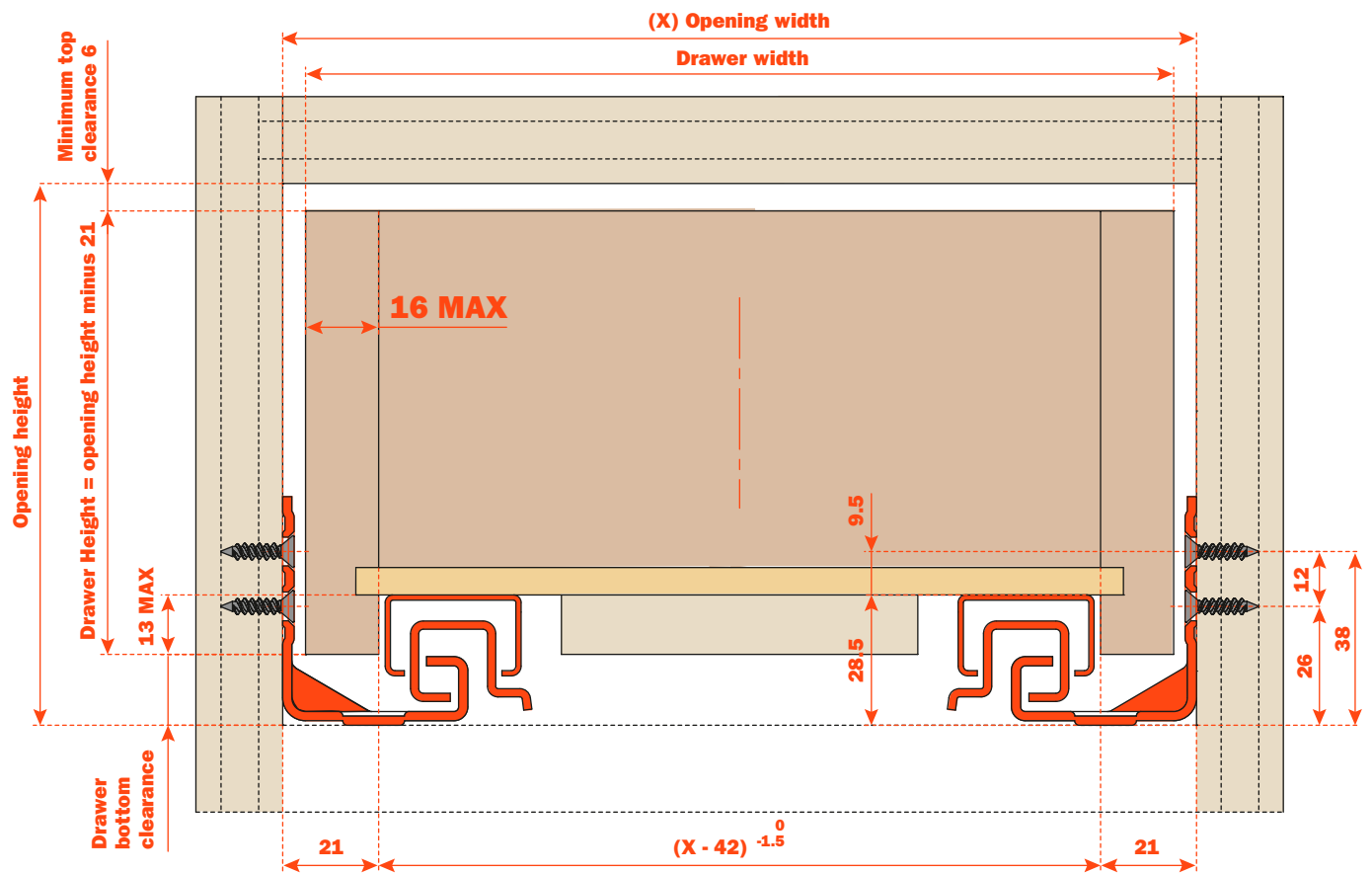


**SMOVE: SOFT CLOSE MECHANISM FULLY INTEGRATED INTO THE DRAWER RUNNER**

**Product features**

- 45 Kg Dynamic load capacity
- Available in lengths ranging from 350 mm to 550 mm in 50 mm increments
- Full extension with a synchronized mechanism
- Enhanced smooth soft closing action
- Elongated holes for depth and height adjustment
- Adjustable clips allow for easy drawer insertion and removal
- Tool free height adjustments + 2.5 mm
- Tool free depth adjustments +/- 3 mm
- Tool free side adjustments +/- 1.5 mm
- Meets and exceeds Ansi BHMA A156.9-2020 Grade 1 standard
- Optional tool free tilt adjustment +3 mm
- 13 mm (1/2") to 16 mm (5/8") drawer material thickness
- Compatible with Lineabox drawers
- Finish: bright zinc-plated
- 100% Made in Italy

**Dimensions**



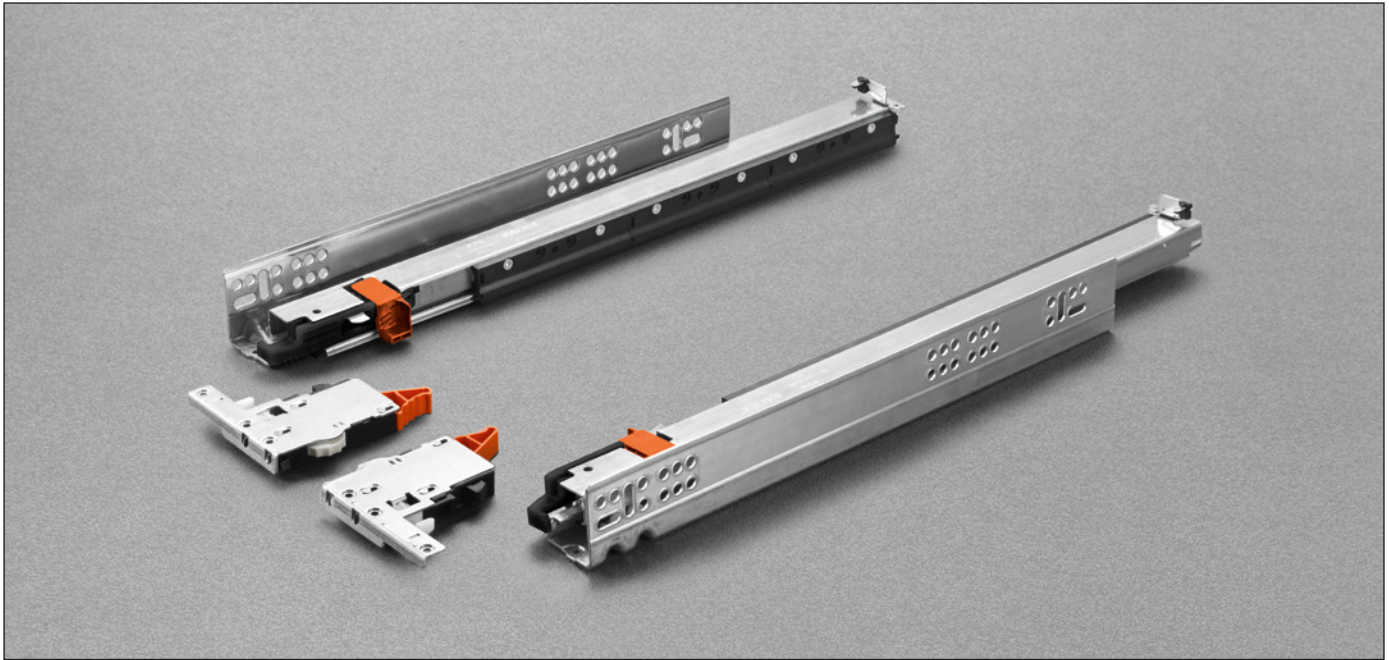
**CALCULATION FORMULA FOR OUTSIDE DRAWER WIDTH**

For drawer side thickness of	<b>16 mm (5/8")</b>	<b>15 mm (19/32")</b>	<b>14 mm (9/16")</b>	<b>13 mm (1/2")</b>	<b>12 mm (7/16")</b>
Deduct from inside cabinet width	<b>10 mm (3/8")</b>	<b>12 mm (7/16")</b>	<b>14 mm (9/16")</b>	<b>16 mm (5/8")</b>	<b>18 mm (21/32")</b>

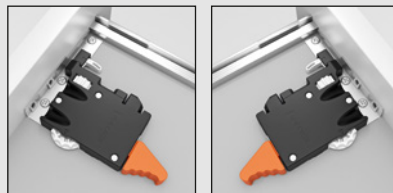
Example: For a 15" inside cabinet width and a 5/8" thick drawer, subtract 3/8" from the inside width of 15" = 14-5/8" drawer width.

**Note:** Drawer side material thickness may vary. Make sure you take precise measurements when calculating outside drawer width using the table above. Inside drawer width must equal opening width minus 42 mm (1-21/32") for Progressa runners to align and function optimally.

## Part number

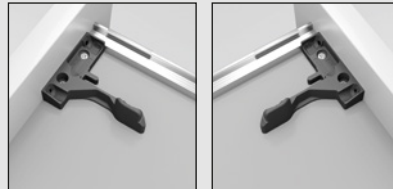


BASIC PART NUMBER	RUNNER LENGTH (LN) mm	MIN. DEPTH OF THE CABINET (PM) mm
<b>G5E6S350XXF6</b>	350	360
<b>G5E6S400XXF6</b>	400	410
<b>G5E6S450XXF6</b>	450	460
<b>G5E6S500XXF6</b>	500	510
<b>G5E6S550XXF6</b>	550	560



### **AFCGXX3B** Right and left

PACKAGING  
2 boxes = 100 pcs right and 100 pcs left



### **AFCEX56B** Right and left

PACKAGING  
2 boxes = 100 pcs right and 100 pcs left







# Progressa+ Smove

**Progressa+ - Full extension runner for 13 mm (1/2") to 16 mm (5/8") drawer material thickness**  
**Smove**

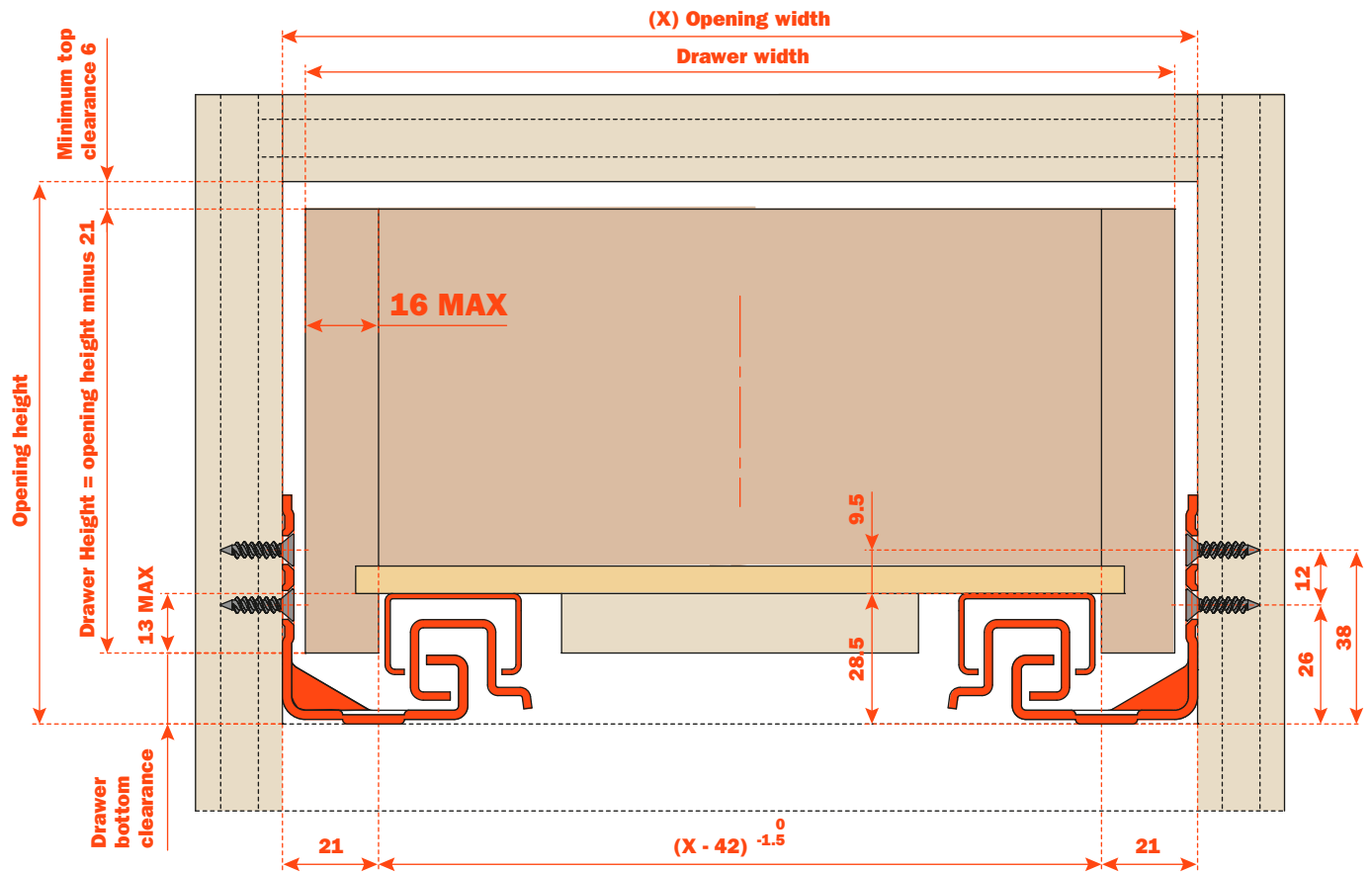


**SMOVE: SOFT CLOSE MECHANISM FULLY INTEGRATED INTO THE DRAWER RUNNER**

**Product features**

- 70 kg Dynamic load capacity
- Available in the full range of lengths from 350 mm to 750 mm in 50 mm increments
- Full extension with a synchronized mechanism
- Enhanced smooth soft closing action
- Elongated holes for depth and height adjustment
- Adjustable clips allow for easy drawer insertion and removal
- Tool free height adjustments + 2.5 mm
- Tool free depth adjustments +/- 3 mm
- Tool free side adjustments +/- 1.5 mm
- Meets and exceeds Ansi BHMA A156.9-2020 Grade 1 standard
- Optional tool free tilt adjustment +3 mm
- 13 mm (1/2") to 16 mm (5/8") drawer material thickness
- Compatible with Lineabox drawers
- Finish: bright zinc-plated
- 100% Made in Italy

**Dimensions**



**CALCULATION FORMULA FOR OUTSIDE DRAWER WIDTH**

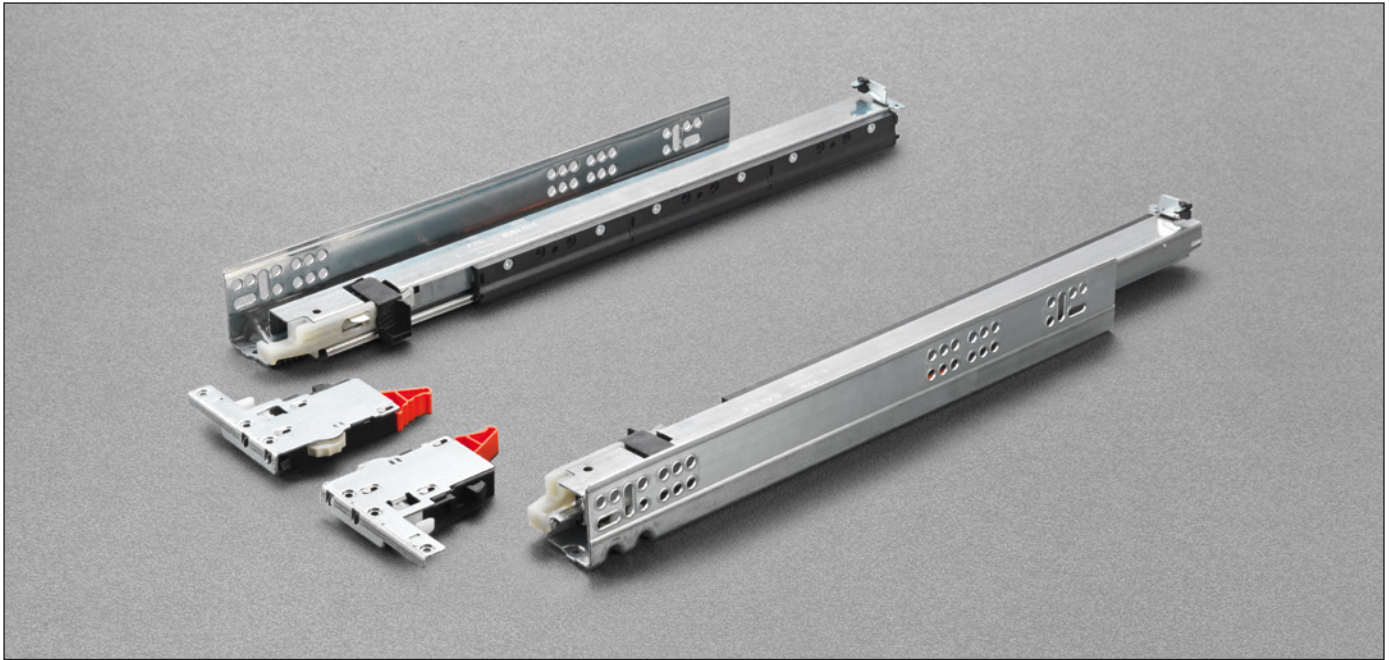
For drawer side thickness of	<b>16 mm (5/8")</b>	<b>15 mm (19/32")</b>	<b>14 mm (9/16")</b>	<b>13 mm (1/2")</b>	<b>12 mm (7/16")</b>
Deduct from inside cabinet width	<b>10 mm (3/8")</b>	<b>12 mm (7/16")</b>	<b>14 mm (9/16")</b>	<b>16 mm (5/8")</b>	<b>18 mm (21/32")</b>

Example: For a 15" inside cabinet width and a 5/8" thick drawer, subtract 3/8" from the inside width of 15" = 14-5/8" drawer width.

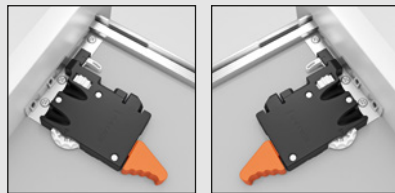
**Note:** Drawer side material thickness may vary. Make sure you take precise measurements when calculating outside drawer width using the table above. Inside drawer width must equal opening width minus 42 mm (1-21/32") for Progressa+ runners to align and function optimally.



## Part number

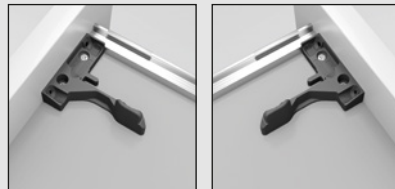


BASIC PART NUMBER	RUNNER LENGTH (LN) mm	MIN. DEPTH OF THE CABINET (PM) mm
<b>G7E6S350XXF6</b>	350	360
<b>G7E6S400XXF6</b>	400	410
<b>G7E6S450XXF6</b>	450	460
<b>G7E6S500XXF6</b>	500	510
<b>G7E6S550XXF6</b>	550	560
<b>G7E6S600XXF2</b>	600	610
<b>G7E6S650XXF2</b>	650	660
<b>G7E6S700XXF2</b>	700	710
<b>G7E6S750XXF2</b>	750	760



### **AF CGXX3B** Right and left

PACKAGING  
2 boxes = 100 pcs right and 100 pcs left



### **AFCEX56B** Right and left

PACKAGING  
2 boxes = 100 pcs right and 100 pcs left





**Progressa+**  
**Push to open**

**Progressa+ - Full extension runner for 13 mm (1/2") to 16 mm (5/8") drawer material thickness**  
**Push to open**

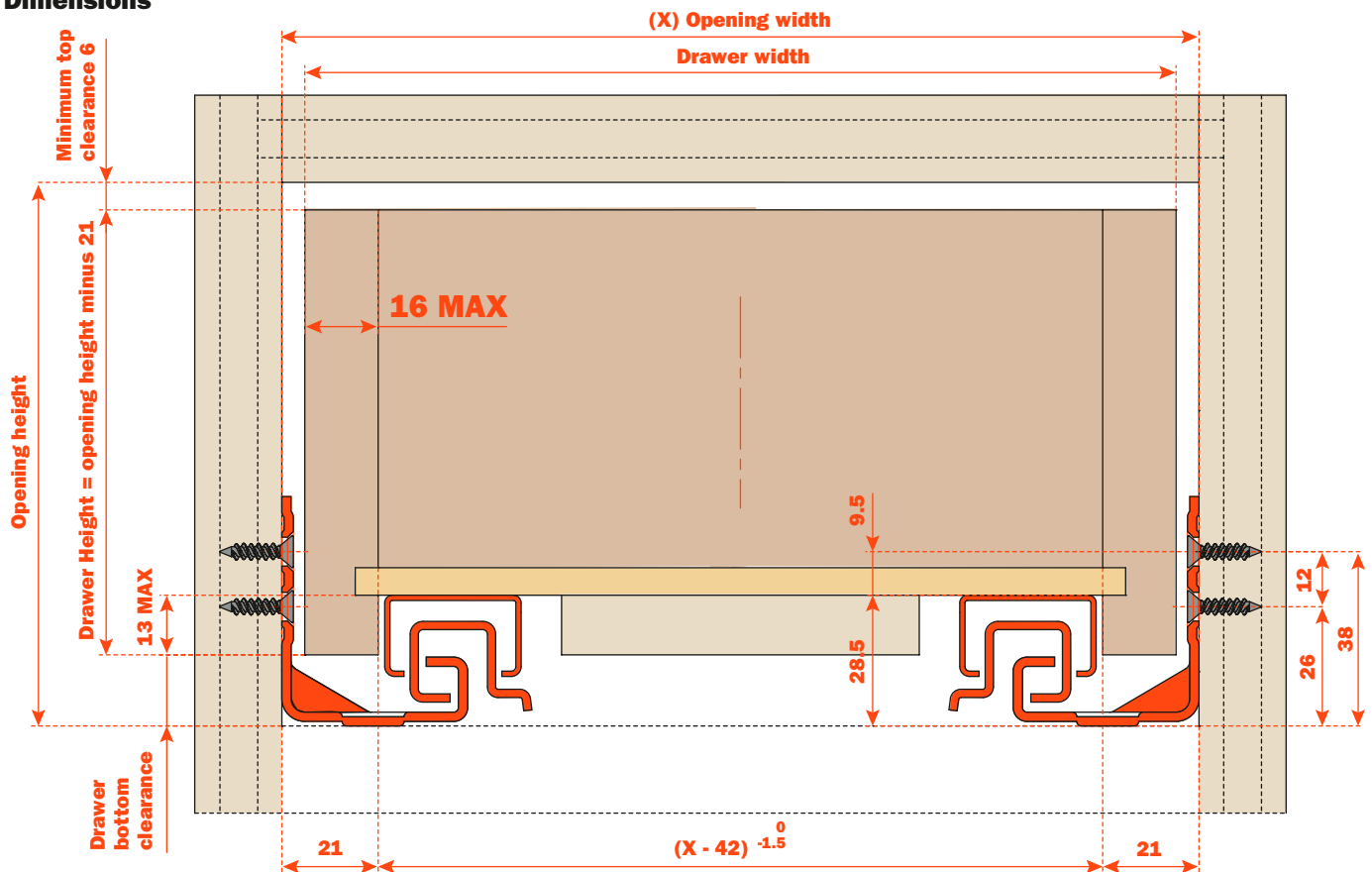


**PUSH: THE OPENING SYSTEM FOR HANDLE-LESS DRAWERS IS FULLY INTEGRATED IN THE RUNNER.**  
**A SLIGHT PRESSURE OF THE DRAWER FRONT IS ENOUGH FOR THE DRAWER TO OPEN.**

**Product features**

- 70 kg Dynamic load capacity
- Available in the full range of lengths from 350 mm to 750 mm in 50 mm increments
- Full extension with a synchronized mechanism
- Integrated Push opening system
- Elongated holes for depth and height adjustment
- Adjustable clips allow for easy drawer insertion and removal
- The drawer is latched when closed
- Frameless or blocked out face frame applications
- Tool free height adjustments + 2.5 mm
- Tool free depth adjustments +/- 3 mm
- Tool free side adjustments +/- 1.5 mm
- Meets and exceeds Ansi BHMA A156.9-2020 Grade 1 standard
- Optional:
  - tool free tilt adjustment +3 mm
  - Push Synchronizer
- 13 mm (1/2") to 16 mm (5/8") drawer material thickness
- Compatible with Lineabox drawers
- Finish: bright zinc-plated
- 100% Made in Italy

**Dimensions**



**CALCULATION FORMULA FOR OUTSIDE DRAWER WIDTH**

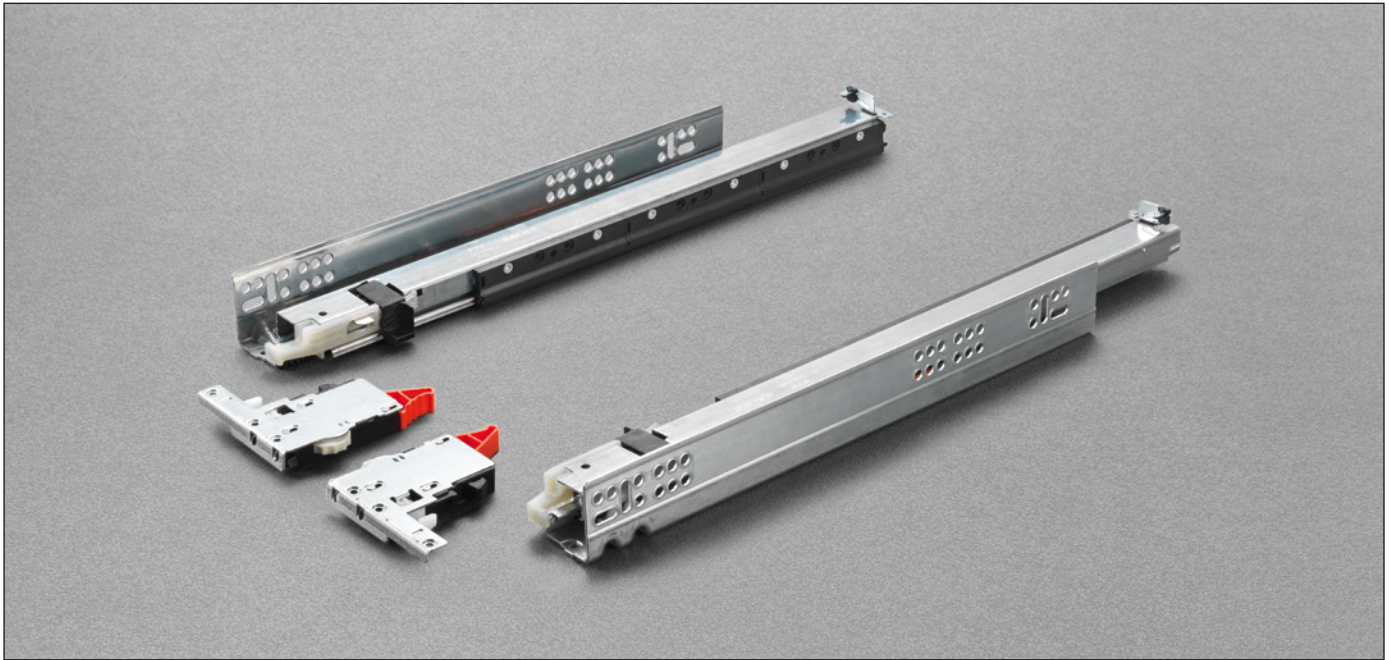
For drawer side thickness of	<b>16 mm (5/8")</b>	<b>15 mm (19/32")</b>	<b>14 mm (9/16")</b>	<b>13 mm (1/2")</b>	<b>12 mm (7/16")</b>
Deduct from inside cabinet width	<b>10 mm (3/8")</b>	<b>12 mm (7/16")</b>	<b>14 mm (9/16")</b>	<b>16 mm (5/8")</b>	<b>18 mm (21/32")</b>

Example: For a 15" inside cabinet width and a 5/8" thick drawer, subtract 3/8" from the inside width of 15" = 14-5/8" drawer width.

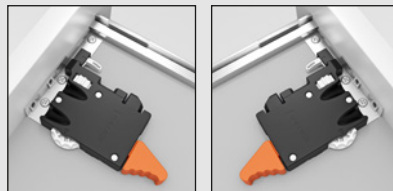
**Note:** Drawer side material thickness may vary. Make sure you take precise measurements when calculating outside drawer width using the table above. Inside drawer width must equal opening width minus 42 mm (1-21/32") for Progressa+ runners to align and function optimally.



## Part number



BASIC PART NUMBER	RUNNER LENGTH (LN) mm	MIN. DEPTH OF THE CABINET (PM) mm
G7E6P350XXF6	350	360
G7E6P400XXF6	400	410
G7E6P450XXF6	450	460
G7E6P500XXF6	500	510
G7E6P550XXF6	550	560
G7E6P600XXF2	600	610
G7E6P650XXF2	650	660
G7E6P700XXF2	700	710
G7E6P750XXF2	750	760



### **AFGGXX3B** Right and left

PACKAGING  
2 boxes = 100 pcs right and 100 pcs left







# Progressa+ Shelf Smove

**Progressa+ - Concealed undermount Shelf runner - Full-extension Shelf Smove**

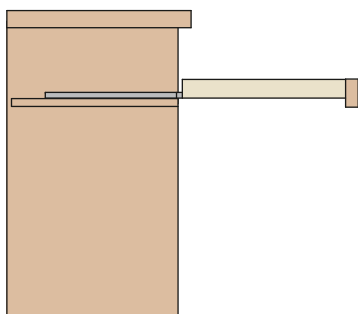


**Full-extension runner attached to the shelf by clips.**

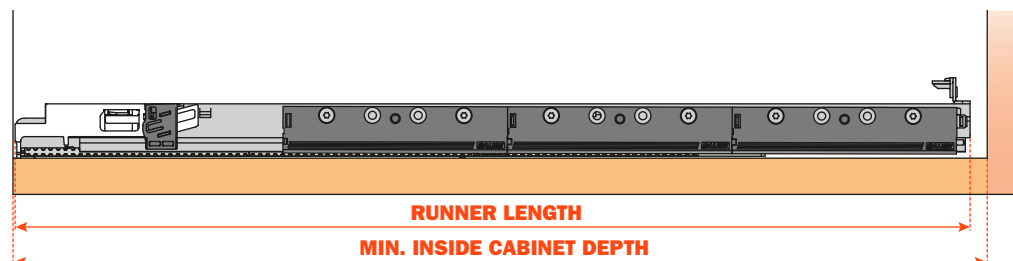
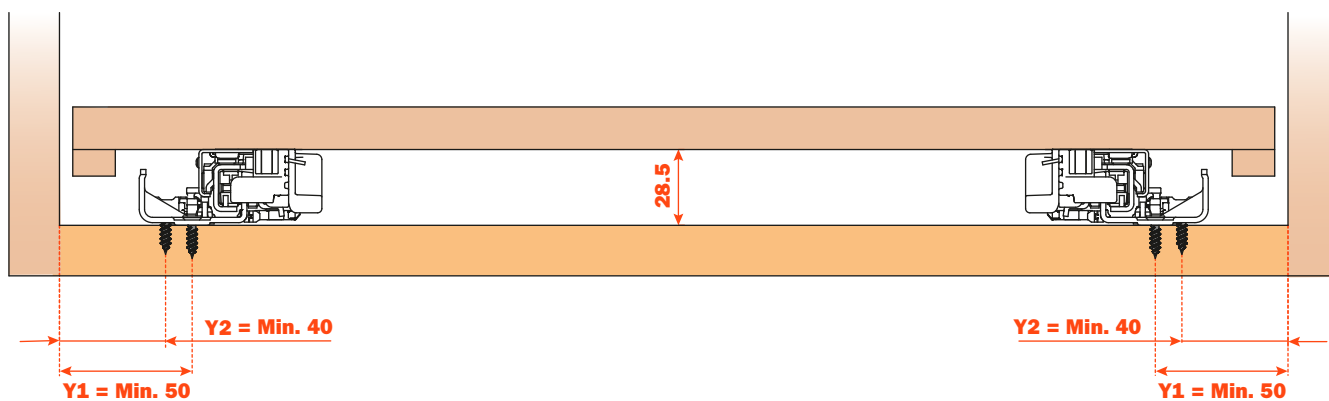
**Smove: soft closing mechanism, fully integrated into the drawer runner.**

**Product features**

- 70 kg Dynamic load capacity
- Full extension with a synchronized mechanism
- Available in lengths ranging from 350 mm to 500 mm in 50 mm increments
- Enhanced smooth soft closing action
- Safety system that prevents the shelves from turning over
- Tool free height adjustments +2.5 mm
- Tool free depth adjustments +/- 3 mm
- Tool free side adjustments +/- 1.5 mm
- Finish: bright zinc-plated
- 100% Made in Italy



**Dimensions**

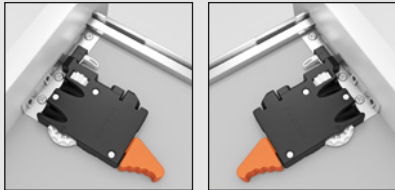




**Part number**

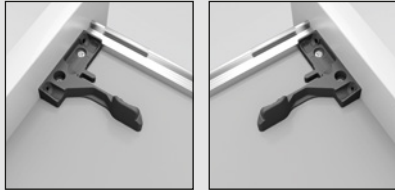


BASIC PART NUMBER	RUNNER LENGTH (LN) mm	MIN. DEPTH OF THE CABINET (PM) mm
<b>G7E6R350XXF6</b>	350	360
<b>G7E6R400XXF6</b>	400	410
<b>G7E6R450XXF6</b>	450	460
<b>G7E6R500XXF6</b>	500	510



**AFCGXX3B**  
Right and left

PACKAGING  
2 boxes = 100 pcs right and 100 pcs left



**AFCEX56B**  
Right and left

PACKAGING  
2 boxes = 100 pcs right and 100 pcs left





# Progressa+ Shelf Push to open

## Progressa+ - Concealed undermount Shelf runner - Full-extension Shelf Push to open

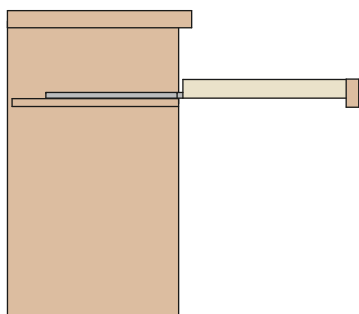


Full-extension runner attached to the shelf by clips.

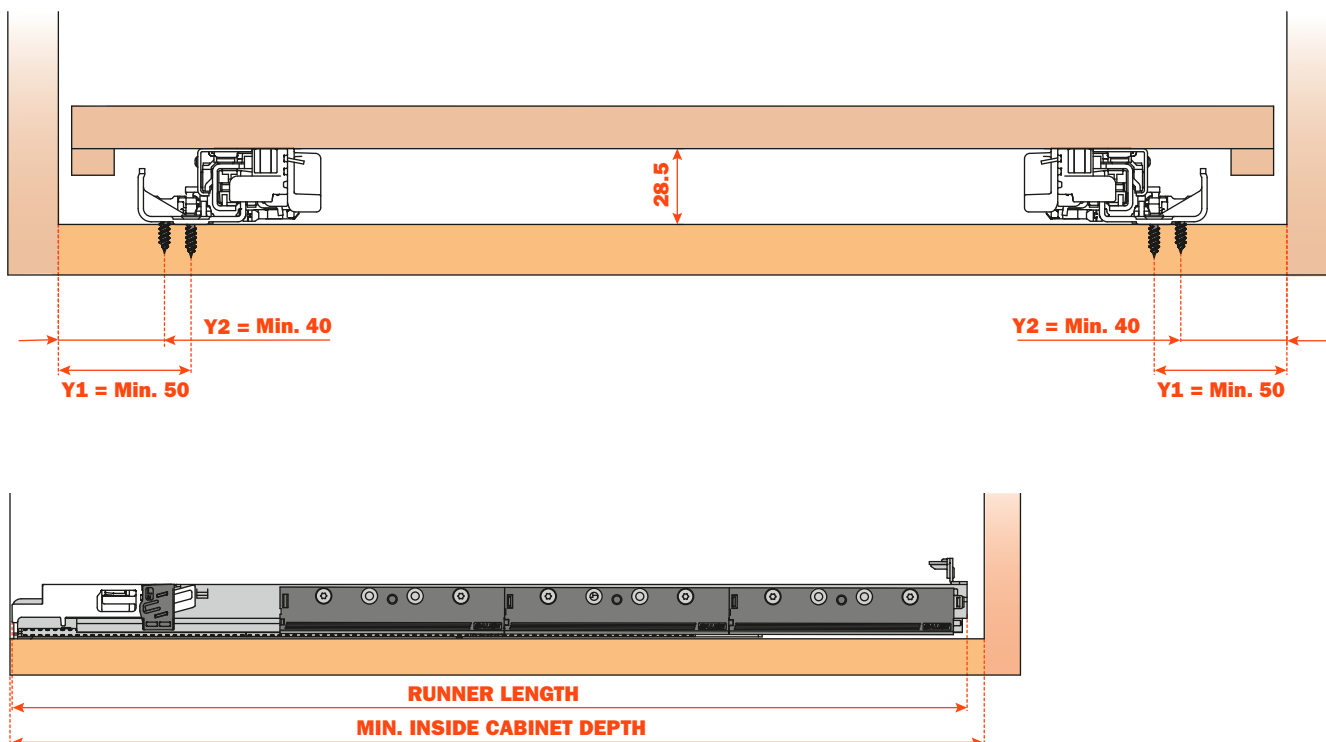
**Push:** the opening system for handle-less drawers is fully integrated in the runner. A slight pressure of the drawer front is enough for the drawer to open.

### Product features

- 70 kg Dynamic load capacity
- Full extension with a synchronized mechanism
- Available in lengths ranging from 350 mm to 500 mm in 50 mm increments
- Integrated Push opening system
- Safety system that prevents the shelves from turning over
- Tool free height adjustments +2.5 mm
- Tool free depth adjustments +/- 3 mm
- Tool free side adjustments +/- 1.5 mm
- The shelf is held in the closed position
- Finish: bright zinc-plated
- 100% Made in Italy



### Dimensions

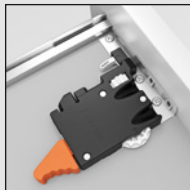
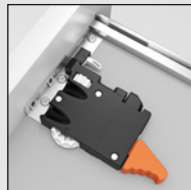




## Part number



BASIC PART NUMBER	RUNNER LENGTH (LN) mm	MIN. DEPTH OF THE CABINET (PM) mm
<b>G7E6Q350XXF6</b>	350	360
<b>G7E6Q400XXF6</b>	400	410
<b>G7E6Q450XXF6</b>	450	460
<b>G7E6Q500XXF6</b>	500	510

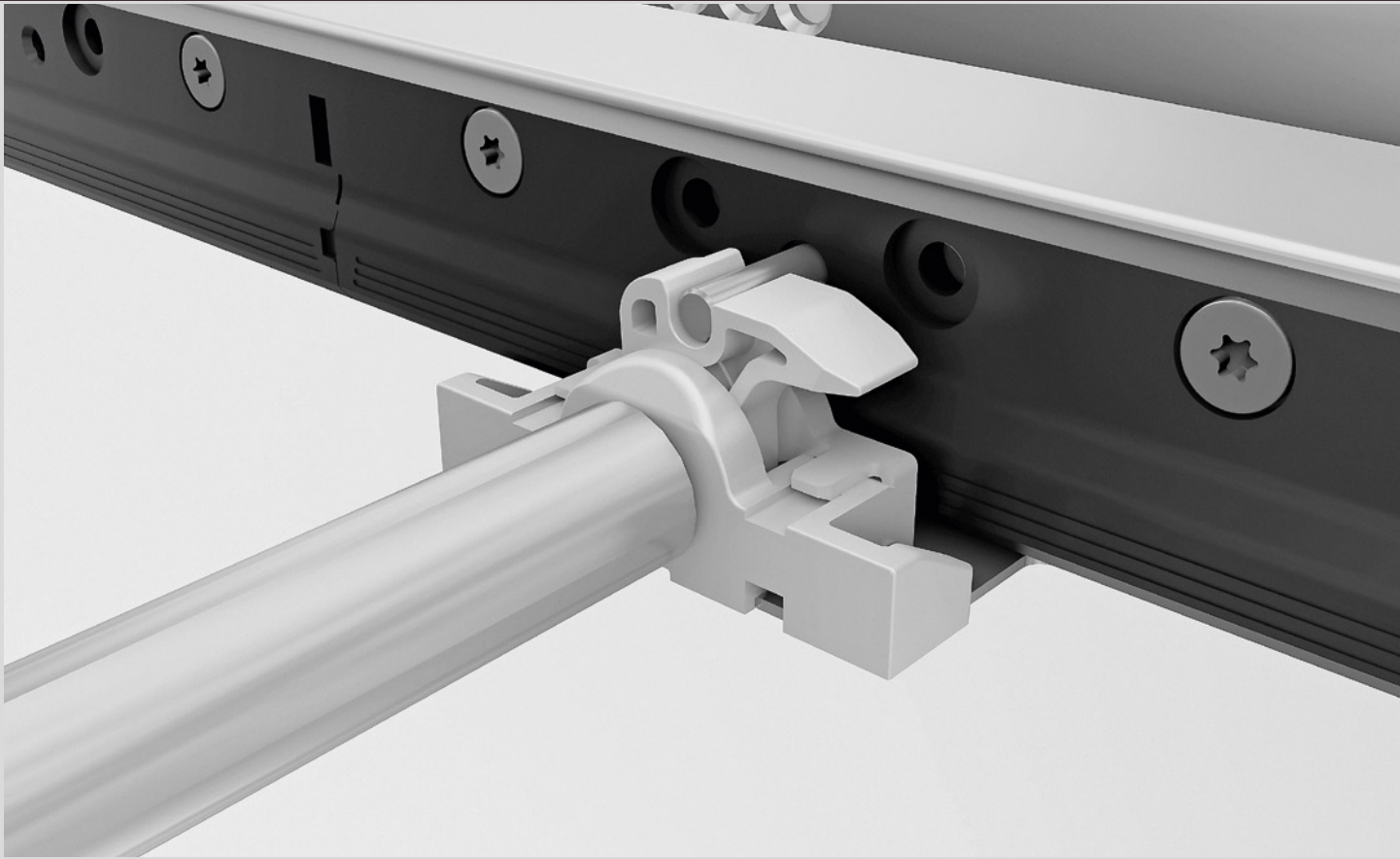


### **AFCGX3B** Right and left

PACKAGING  
2 boxes = 100 pcs right and 100 pcs left







## **Accessories**

## Push Synchronizer bar

The synchronization system for Push-to-Open **Progressa+** slides has been developed to ensure that wider drawers can be opened with minimum effort, regardless of where pressure is applied. The system links the two runners, which then become a single element; applying pressure on any part of the drawer front (even at the extremities), is sufficient for the Push devices to release and consequently for the drawer to open.

The synchronization can be used with any drawer width; its functionality is at its best with drawers wider than 762 mm (30").

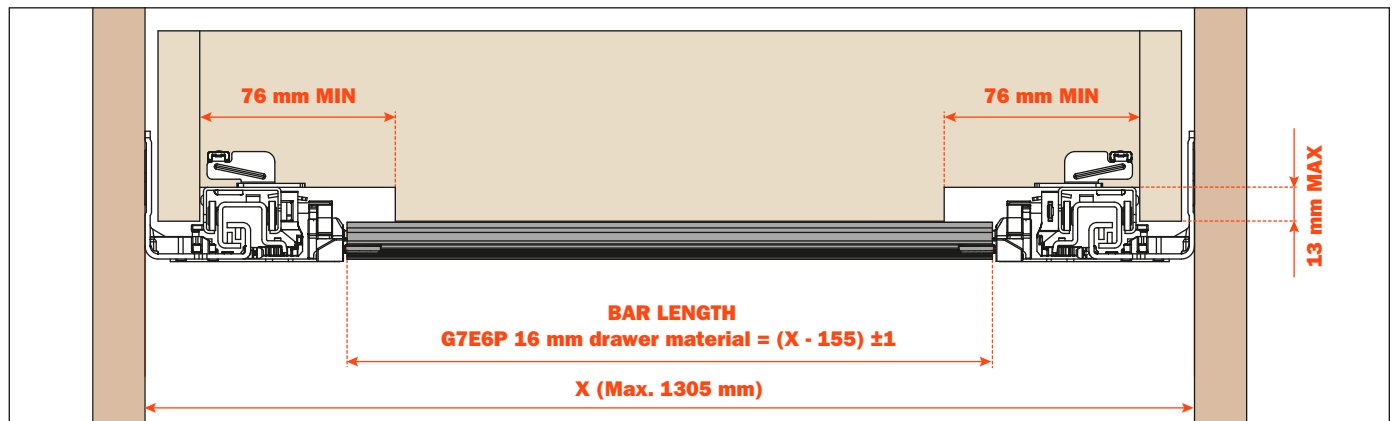
### PRODUCT FEATURES:

- frameless or blocked out face frame applications
- smooth and progressive running action
- slide load capacity remains unchanged
- available on any **Progressa+** drawer length
- minimum opening (X) = 280 mm
- maximum opening (X) = 1305 mm
- bar length = 1150 cut to size



## Technical information - Formula for cutting the bar to length

The assembly of the synchronizer requires a minimum 76 mm notch in the rear of the drawer

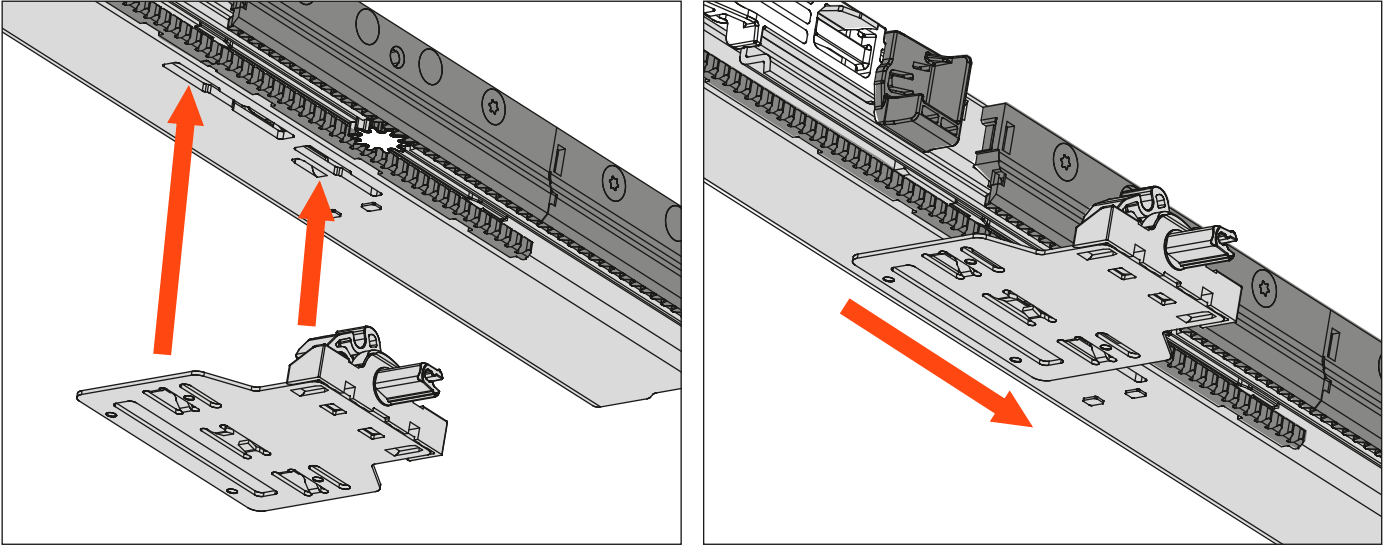


**X = Internal width of the cabinet**

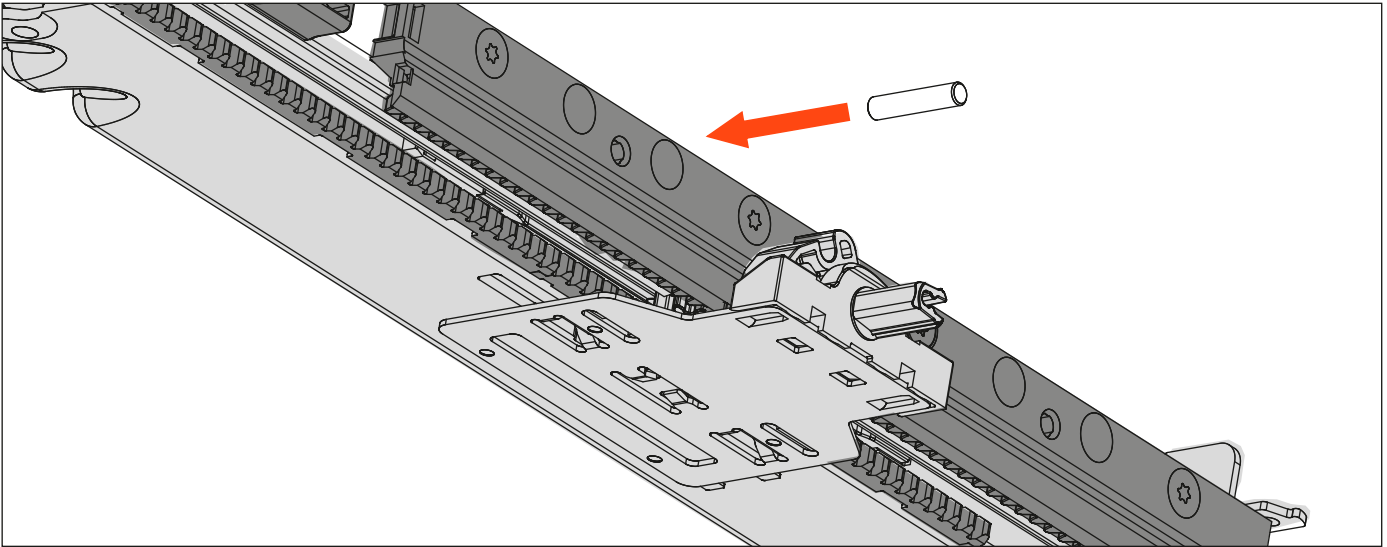


## Assembly instructions

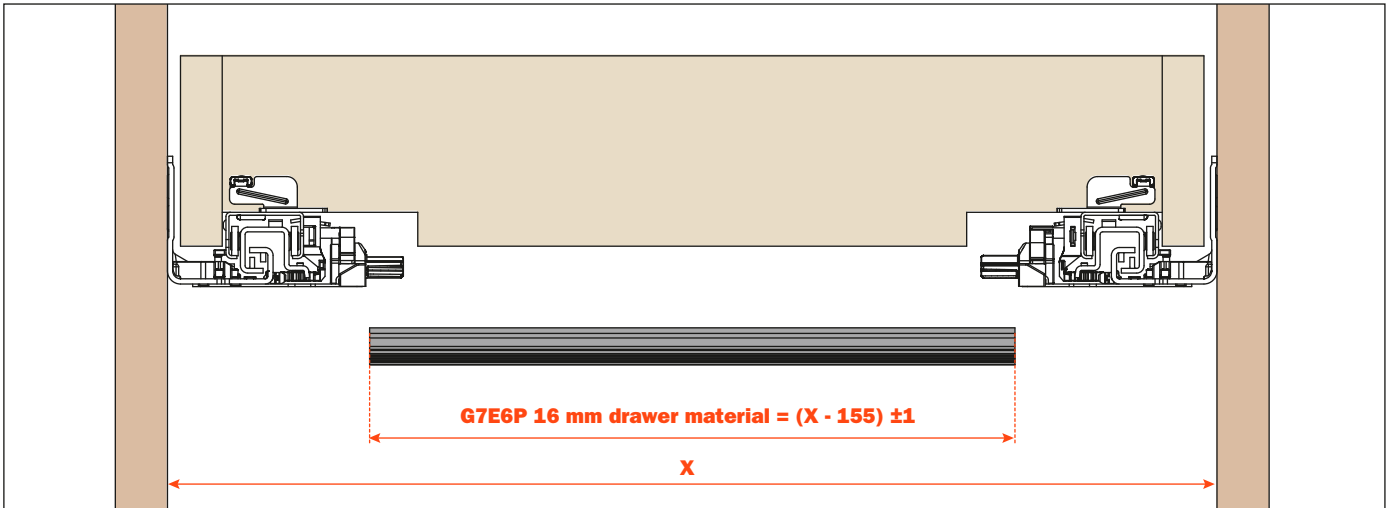
Insert and slide the carrier plates into position on the runners in the direction indicated by the arrows



Fitting the driver pins to the runners

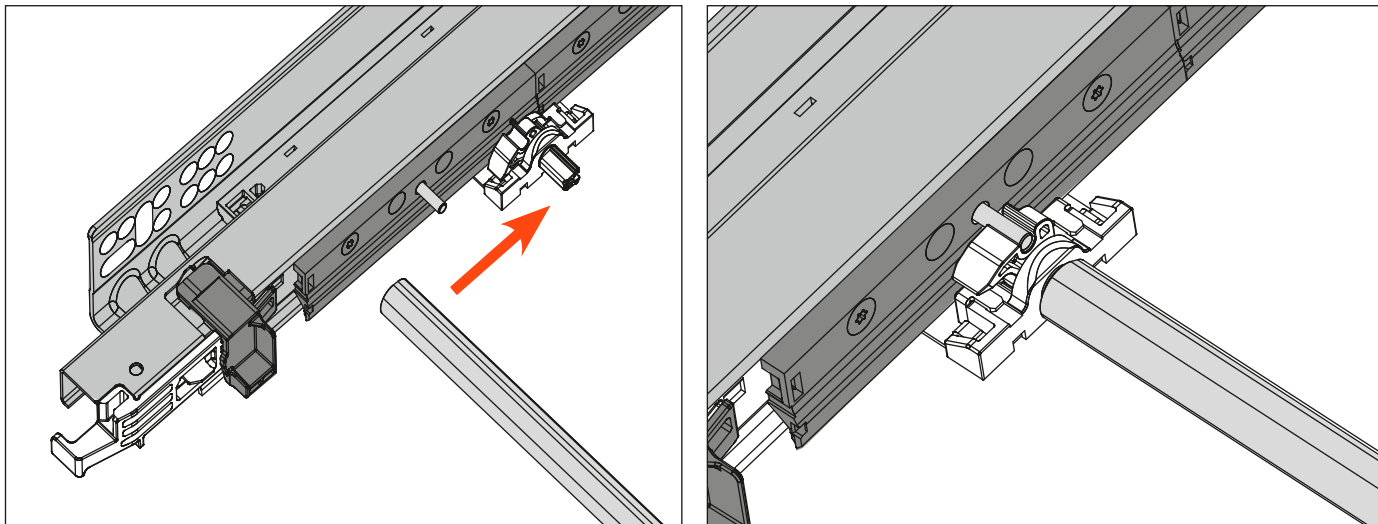


Cut the synchronizer bar to length

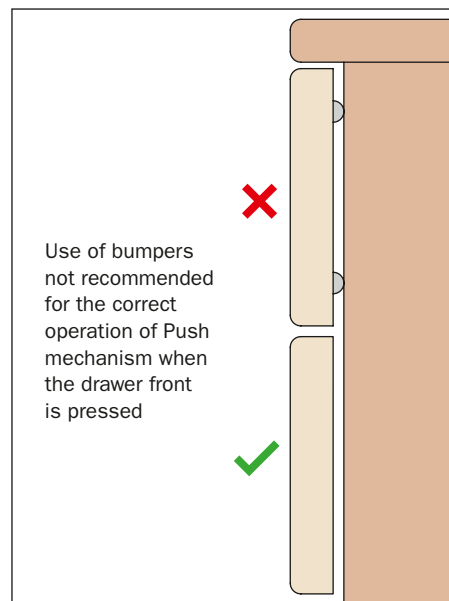


## F70 Push synchronizer - Assembly instructions

Fix the bar to the plates and insert the drawer



Applying pressure on any part of the drawer front is sufficient for the drawer to open



## Packaging

### SINGLE KIT PACKAGING

#### APKF7X51150

PACKAGING

1 box = 20 single kits

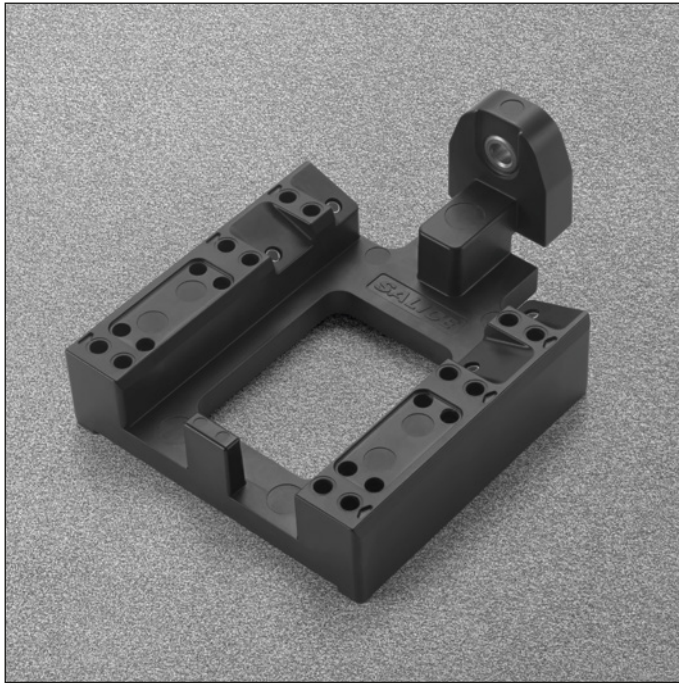
1 KIT CONTAINS:

- 1 stabilizer bar
- 2 driver pins
- 1 right carrier plate and 1 left carrier plate

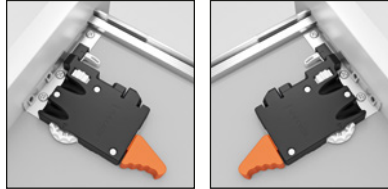


## Drilling templates for drawers - For all Progressa, Progressa+ and Progressa+ Shelf slides

Pre-drilling for the clips reduces the possibility of splitting the wood, thus assuring the correct and level installation of the clips.  
The correct and level mounting assures a smooth assembly and operation of the drawer slide.



**Front locking device**  
**AFCGXX3B**  
Right and left

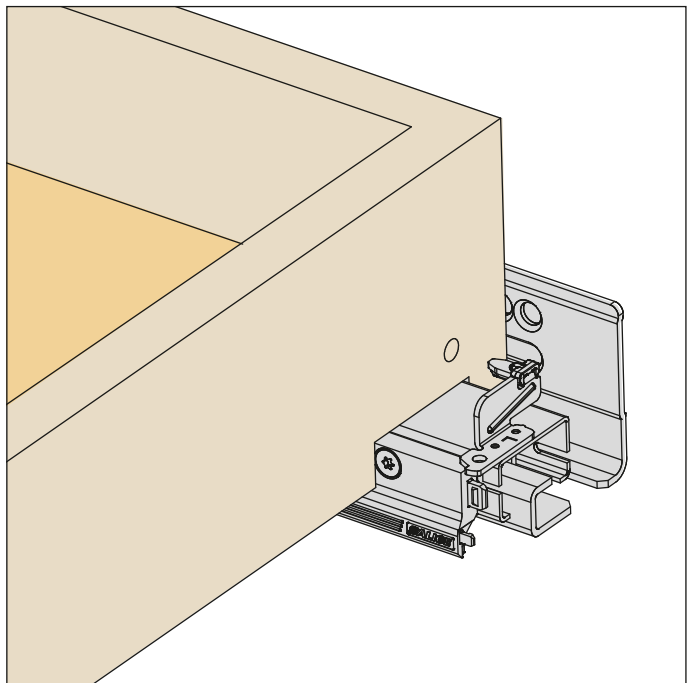
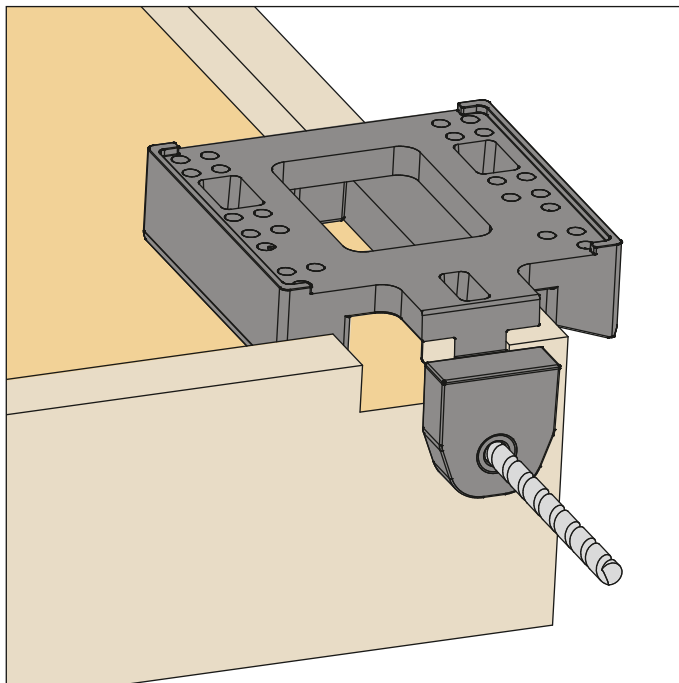


**Drilling template**  
**ASGD704U3XA**

PACKAGING  
1 box = 1 pc.

### Back drilling for hook

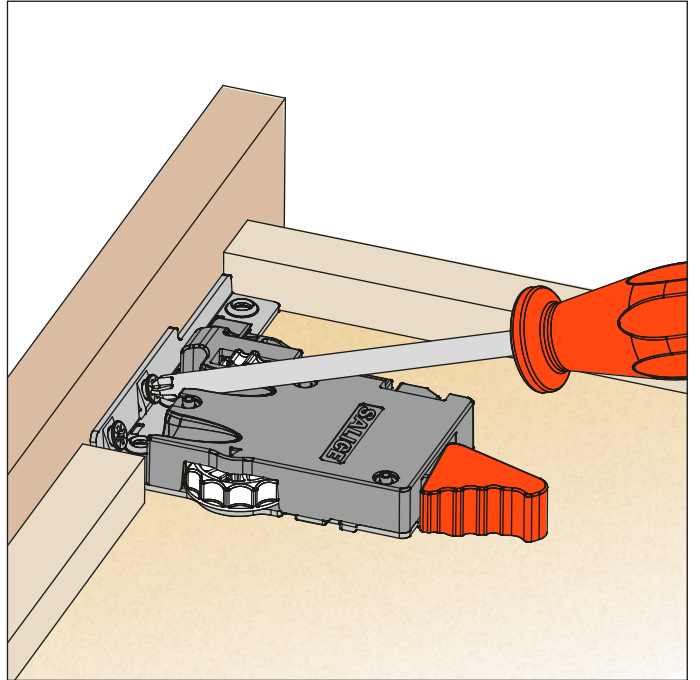
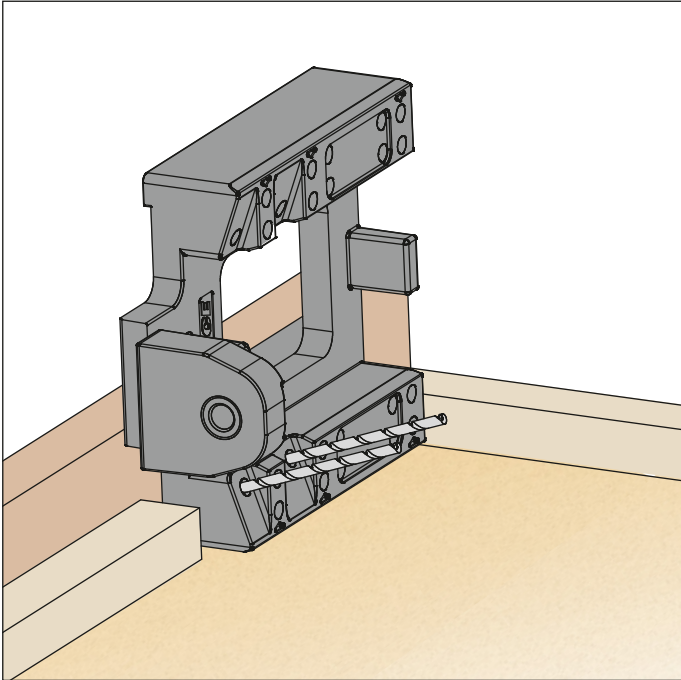
Pre-bore for rear hook for proper alignment and depth (min. depth = 10 mm)



Use a  $\varnothing$  6 mm drill bit  
Technical information, see page 10.

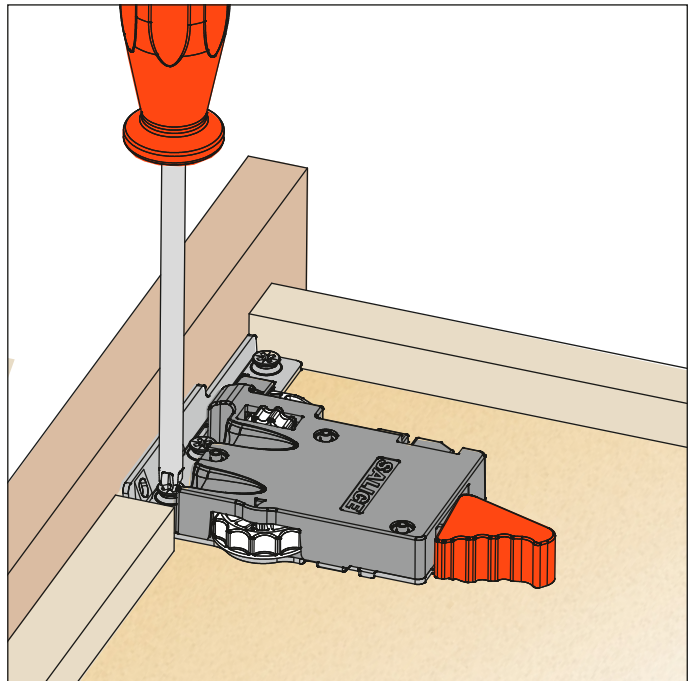
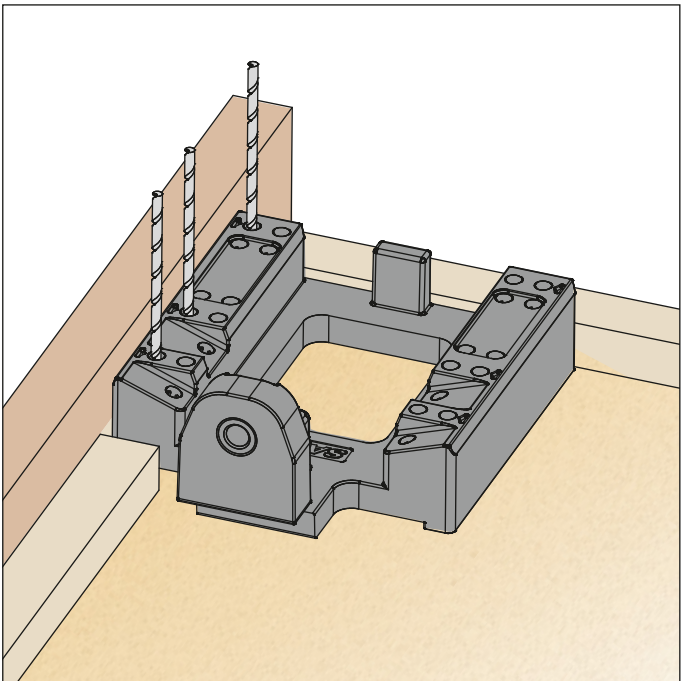
## Drilling templates for drawers

Pre-drilling  $\varnothing$  2.5 mm, to assemble the clips to the front of the drawer



Use a  $\varnothing$  2.5 mm drill bit

Pre-drilling  $\varnothing$  2.5 mm, to assemble the clips to the drawer bottom

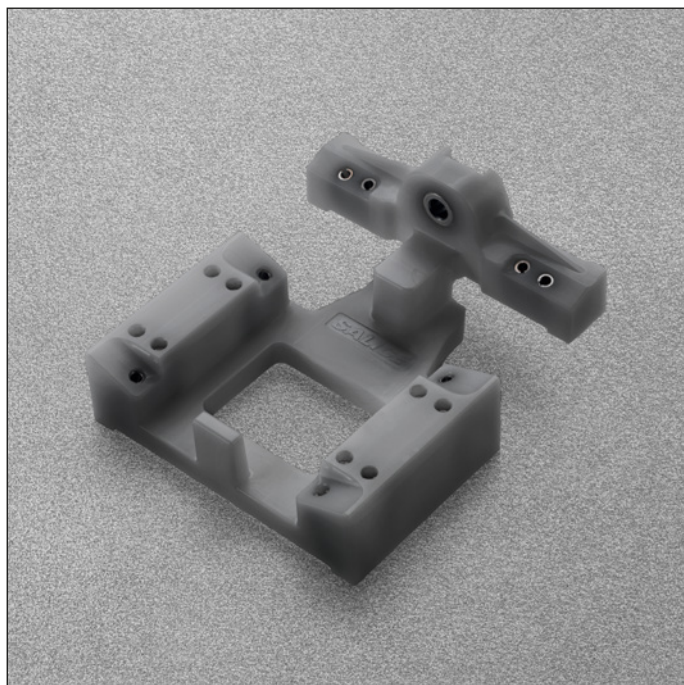


Use a  $\varnothing$  2.5 mm drill bit

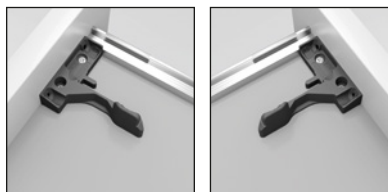


## Drilling templates for drawers - For all Progressa, Progressa+ and Progressa+ Shelf slides

Pre-drilling for the clips reduces the possibility of splitting the wood, thus assuring the correct and level installation of the clips.  
The correct and level mounting assures a smooth assembly and operation of the drawer slide.



**Front locking device**  
**AFCEX56B**  
Right and left

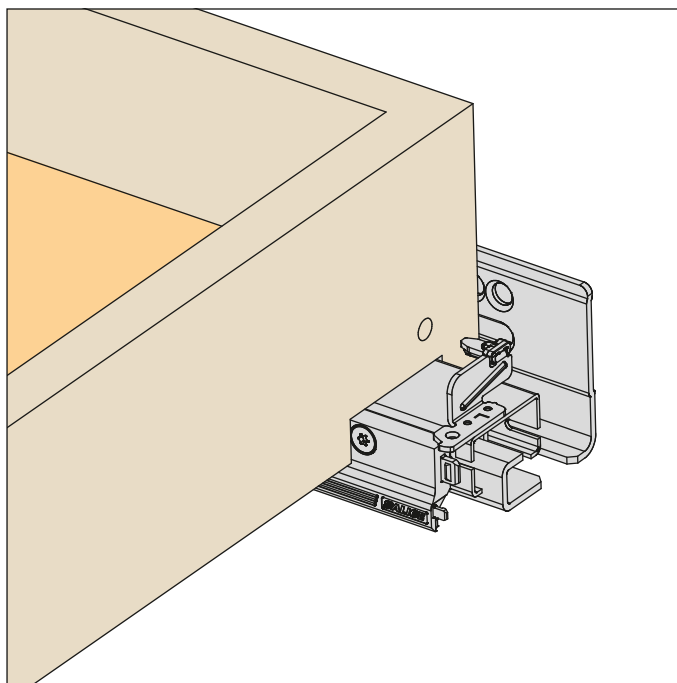
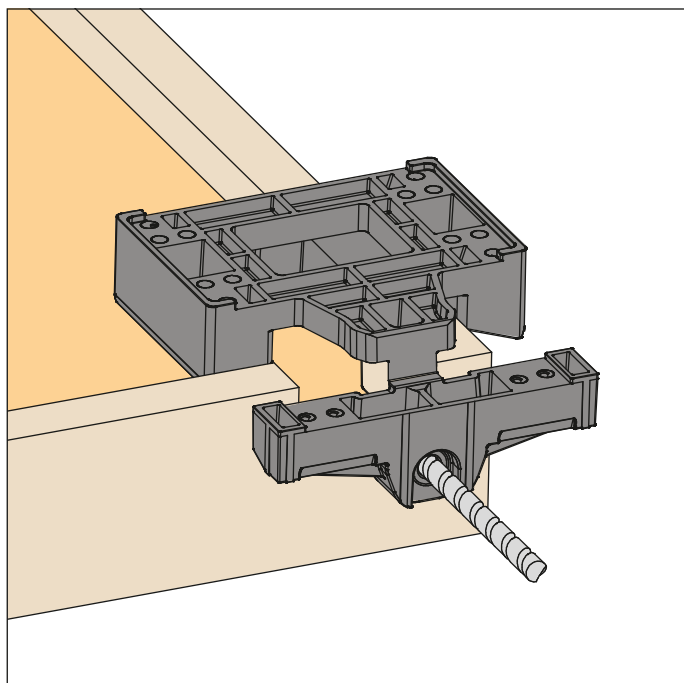


**Drilling template**  
**ASGD504U6XA**

PACKAGING  
1 box = 1 pc.

### Back drilling for hook

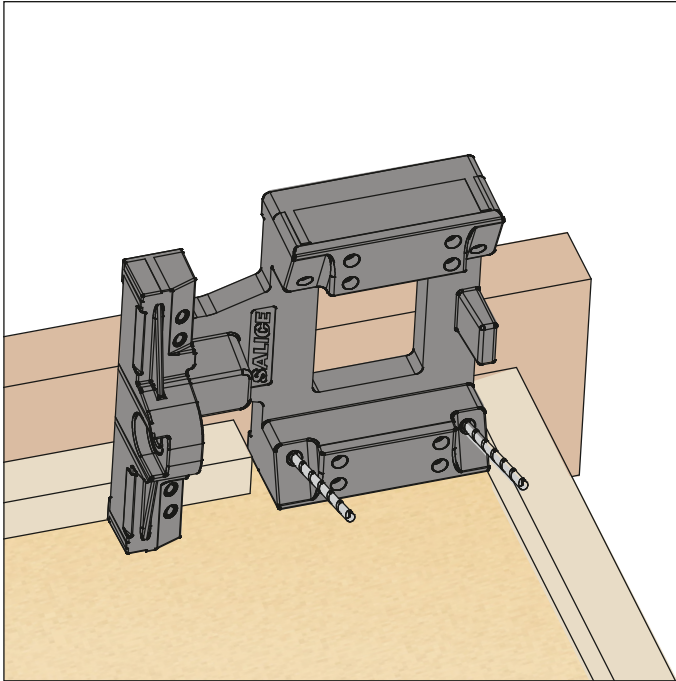
Pre-bore for rear hook for proper alignment and depth (min. depth = 10 mm)



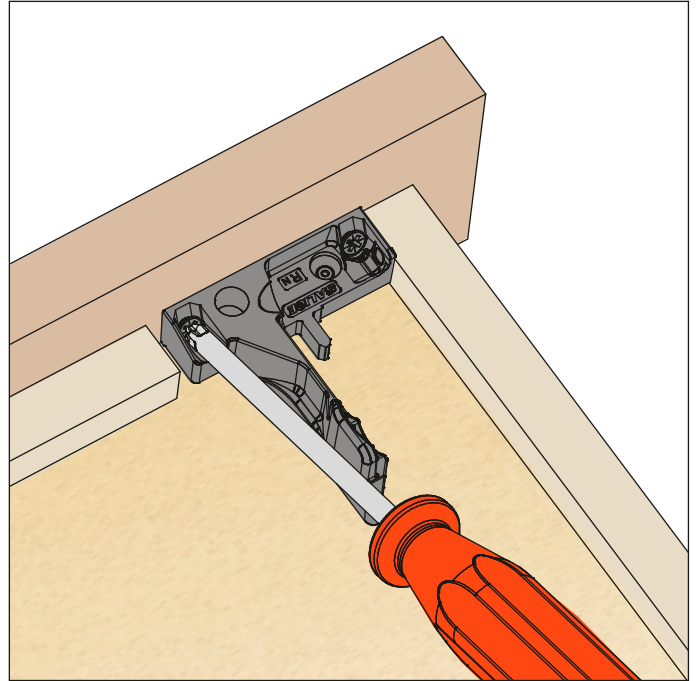
Use a  $\varnothing$  6 mm drill bit  
Technical information, see page 10.

## Drilling templates for drawers

### Fixing the clip on the drawer member

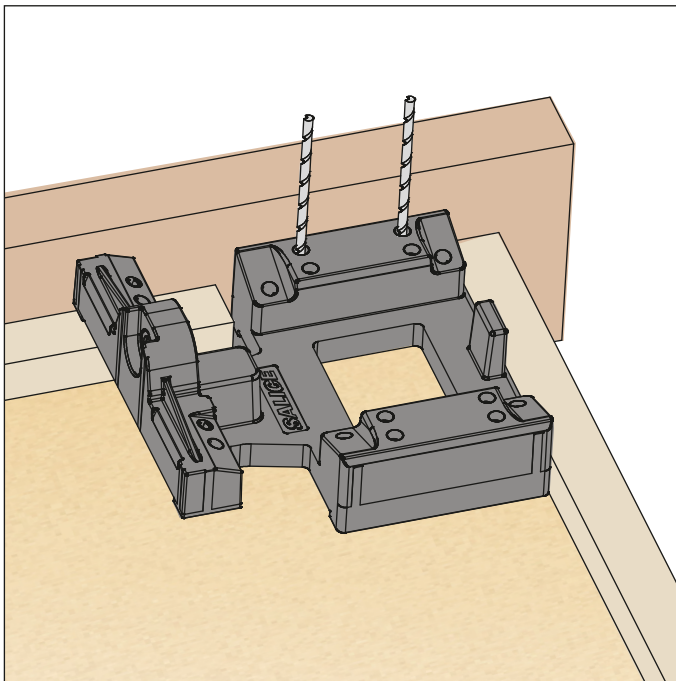


Use a  $\varnothing$  2.5 mm drill bit

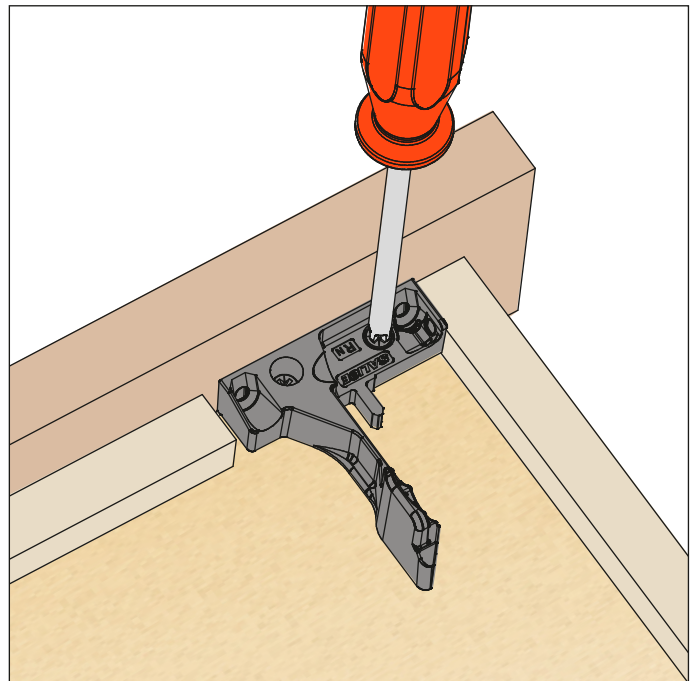


The use of  $\varnothing$  6 x 16 mm screws is recommended for a correct operation of the clips

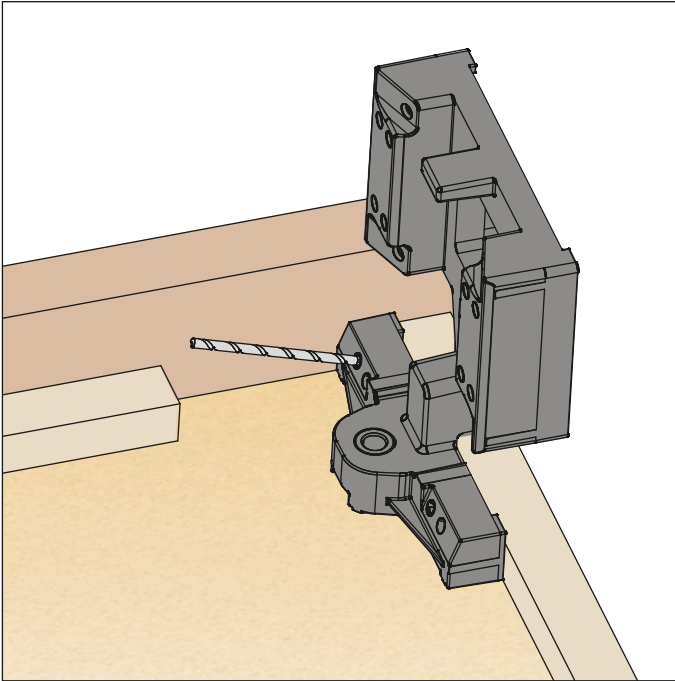
### Vertical drilling for clips, fixing on the bottom



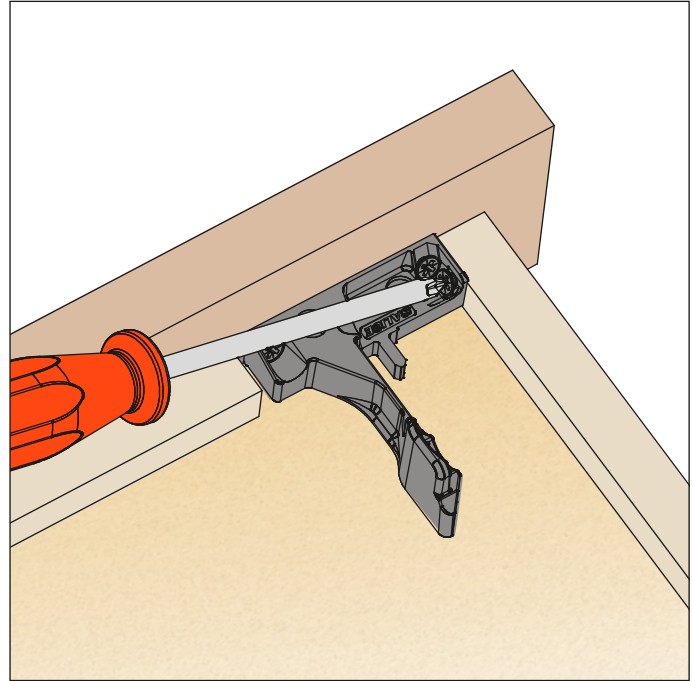
Use a  $\varnothing$  2.5 mm drill bit



## Optional lateral fixing



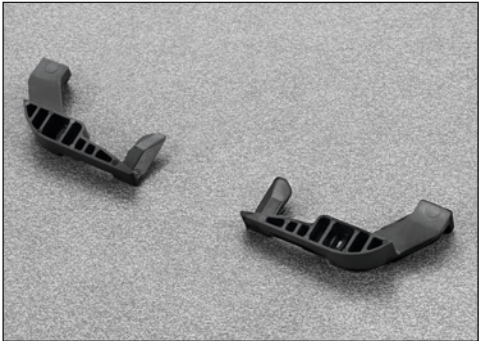
Use a  $\varnothing$  2.5 mm (3/32") drill bit



The use of  $\varnothing$  6 x 16 mm screws is recommended for a correct operation of the clips

**Accessories - For all Progressa and Progressa+ slides**

**Tilt adjustment lever**

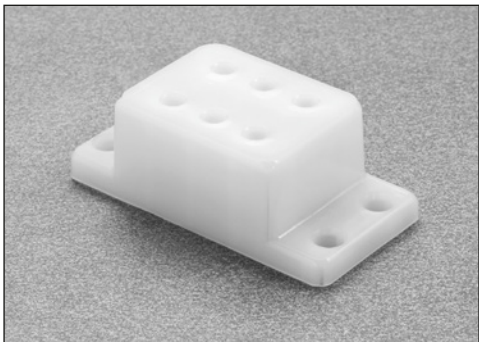


**AGLRXX3F**

PACKAGING  
1 box = 12 pcs right / 12 pcs left

Technical information, see page 25.

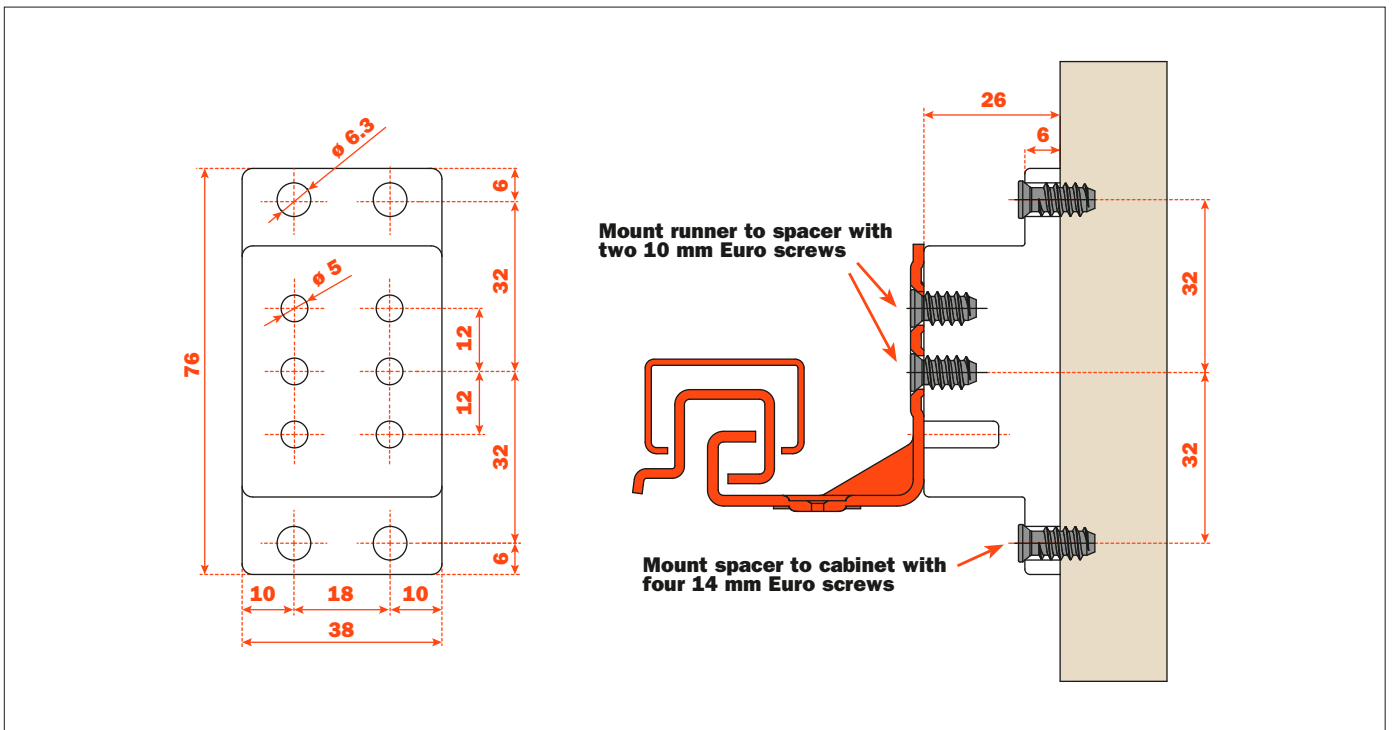
**Side spacer**



**ASPACERFUT**

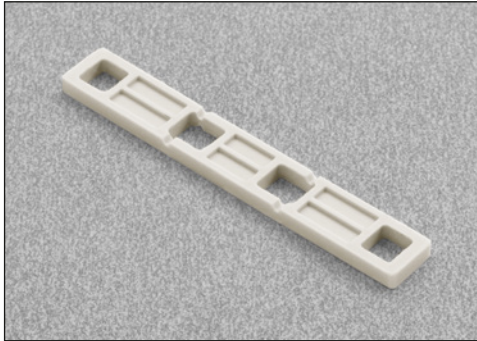
For spacing out Progressa runners for clearance on interior roll-outs.

PACKAGING  
1 box = 100 pcs





## Spacer for 1/2" drawer sub-fronts



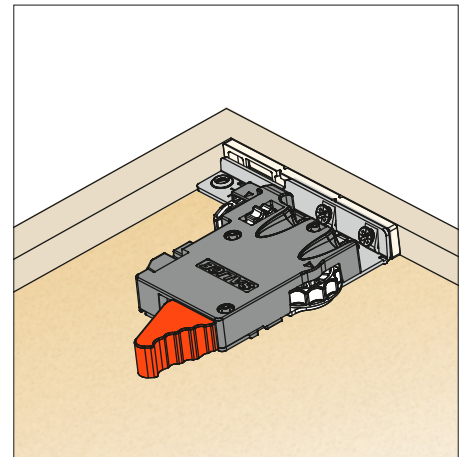
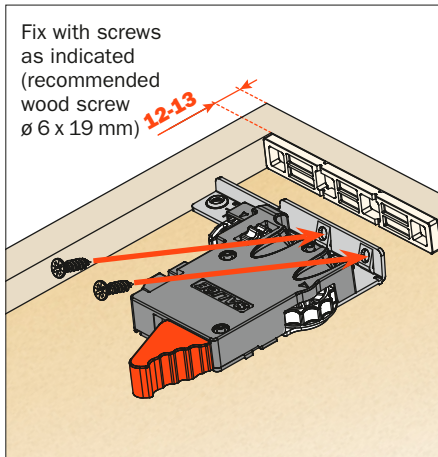
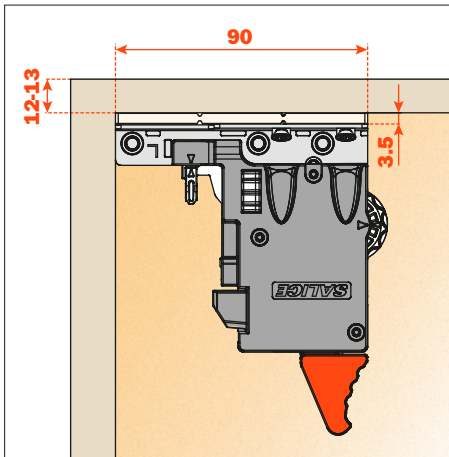
### AFSFXXB

For drawer sides with sub-fronts between 12 and 13 mm (1/2"), we recommend the use of the build-up spacer

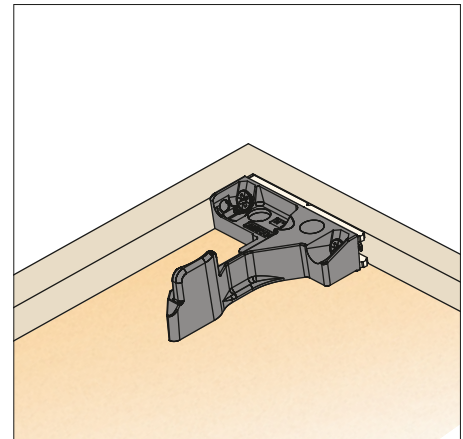
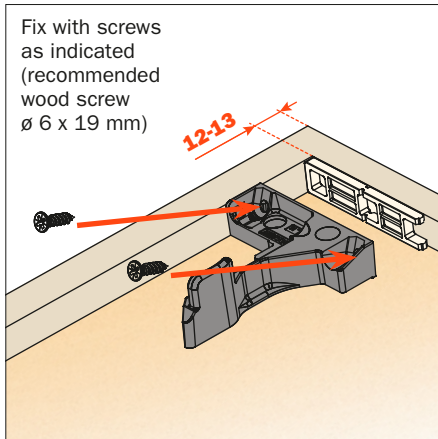
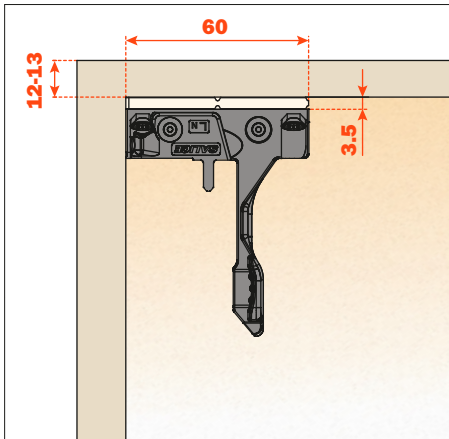
#### PACKAGING

1 box = 100 pcs

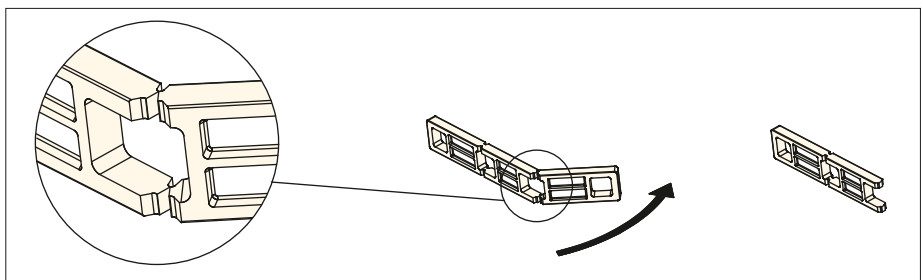
To be used with **AFCGX3B** front locking device (right and left)



To be used with **AFCGX56B** front locking device (right and left)



Spacer can be fit to any size by breaking tabs



**Accessories - For Progressa+ Shelf slides**

**Rear-fixed bracket and magnet - Lock-open function for runners and drawers**



**AROSXXY**

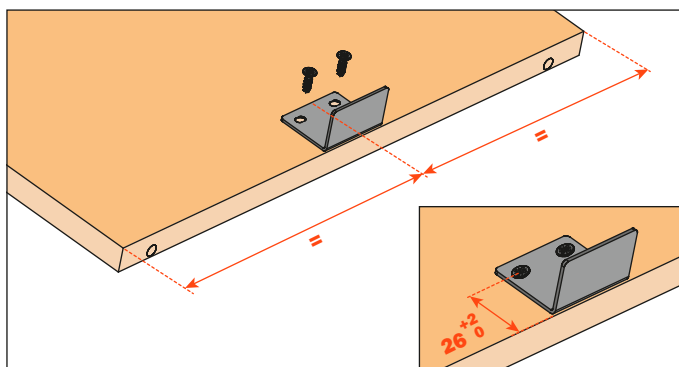
The shelf is held at the maximum opening position by means of a rear-fixed bracket and a magnet.

**PACKAGING**

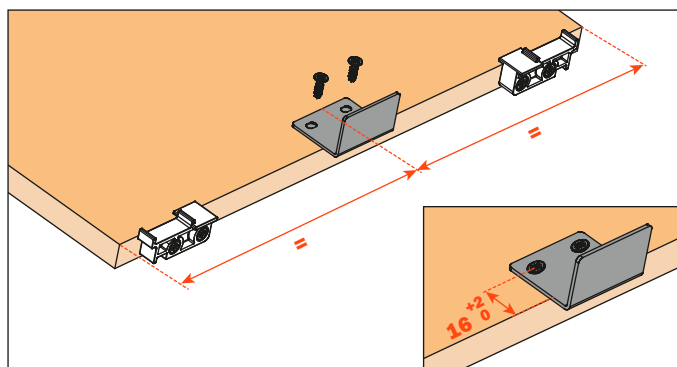
1 box = 20 magnets, 20 brackets.  
Screws included.

**Assembly instructions**

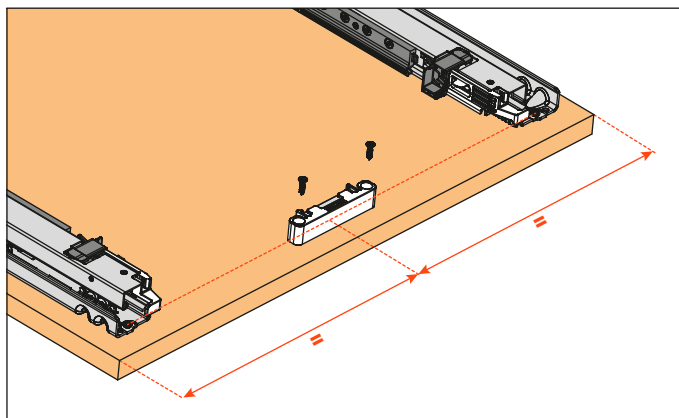
1 A) Fix the bracket, aligned with the back of the shelf.



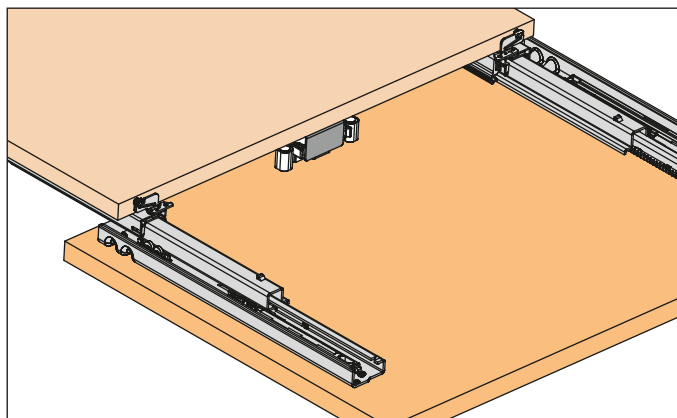
1 B) Fix the bracket to the shelf with the rear hook support. The bracket needs to be aligned to the rear hook support.



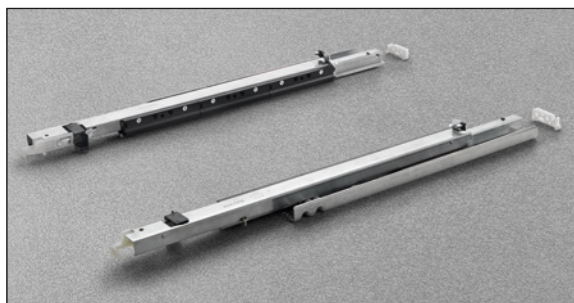
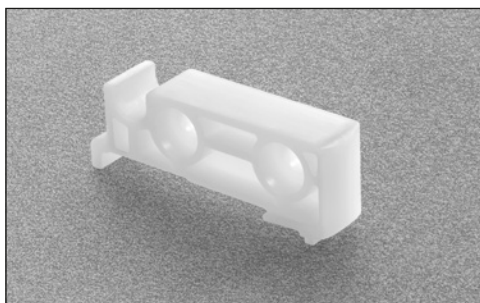
2) Fix the magnet to the bottom.



3) The shelf is held at the maximum opening position.



**Rear hook bracket**



**AGAPXXYI**

For shelves that are less than 12 mm thick, the runner can be used together with the rear hook bracket, thus eliminating the need for the rear hole in the shelf.

**PACKAGING:**

1 box = 100 pcs.

## Accessories - For all Progressa, Progressa+ and Progressa+ Shelf slides

### Wood screw

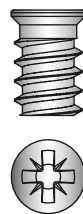


#### V234X164

Wood screw # 6 x 16 mm (5/8")

PACKAGING  
1 box = 100 pcs

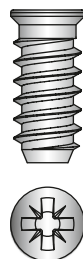
### Euro screw



#### V136X114

Euro screw # 6 x 11 mm (7/16")

PACKAGING  
1 box = 100 pcs



#### V136X154

Euro screw # 6 x 14.5 mm (9/16")

PACKAGING  
1 box = 100 pcs

### Pozi driver

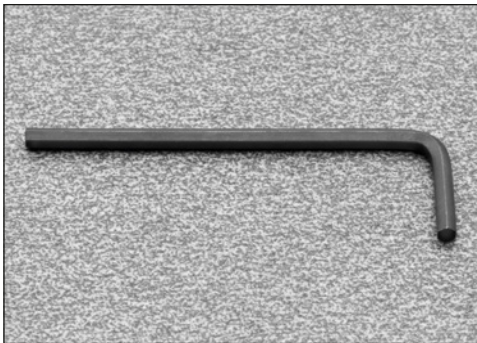


#### D2A7XCXCP

PACKAGING  
1 box = 100 pcs

**Accessories - For all Progressa, Progressa+ and Progressa+ Shelf slides****∅ 6 mm drill bit for rear hook****TDB7406R**

PACKAGING 1 box = 1 pc.

**Hex key to lock the stop collar set screw onto the 6 mm drill bit****TLKEY332**

PACKAGING 1 box = 1 pc.

**Drill bit stop collar for 6 mm bit****TSC06MM**PACKAGING  
1 box = 1 pc.







**SALICE CANADA INC.**

3500 RIDGEWAY DRIVE, UNIT#1  
MISSISSAUGA, ONTARIO, L5L 0B4

TEL. 905 820 8787

FAX. 905 820 7226

info.salice@salicecanada.com

www.salicecanada.com



**Digital contents**