

# SALICE PROGRESSA



## **SALICE**

### **INTRODUCING** Salice Progressa Undermount Drawer Slide

Progressa is the next generation of undermount drawer slides from Salice, the innovative Italian manufacturer. Ideal for every drawer in the home, it offers smooth operation and daily reliability. Whether in the kitchen, bathroom, or bedroom, Progressa ensures a seamless experience with its advanced design and superior functionality.

#### **Product Features:**

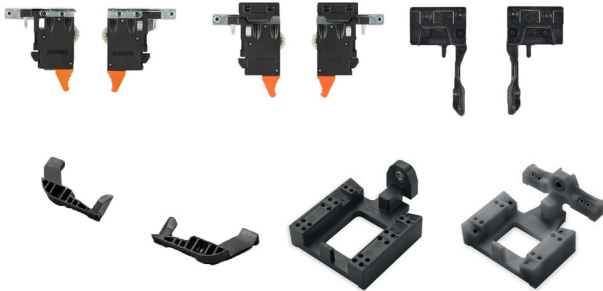
- Full-extension, soft-close undermount, featuring the S-Drive synchronized rack and pinion mechanism
- Available in 5 lengths: 350mm - 550mm
- Tool free side adjustments: +/- 1.5mm, depth adjustments: +/- 3mm, height adjustments: +2.5mm and optional tilt adjustment: +3mm
- Elongated holes for added depth and height adjustment
- Dynamic load capacity: 45kg (100lbs)

## Progressa Full-extension Soft-Close Slide

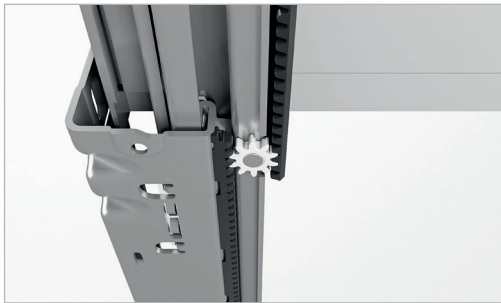


Part #	Length	Quantity/Box
SG5E6350XXF6	350mm	6
SG5E6400XXF6	400mm	6
SG5E6450XXF6	450mm	6
SG5E6500XXF6	500mm	6
SG5E6550XXF6	550mm	6

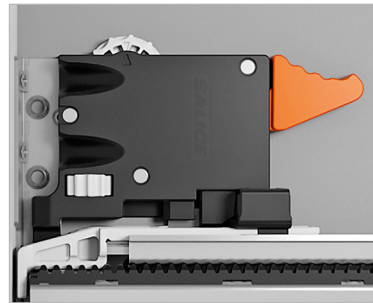
## Progressa Mounting Clips & Accessories



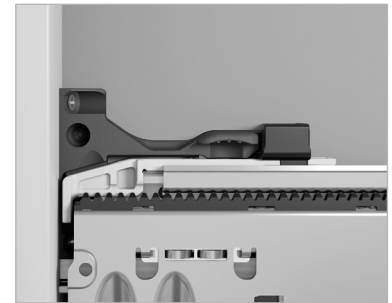
Part #	Description	Quantity/Box
SAFCEX56B	Salice F45/F70 Narrow Clip L/R	pair
SAFCGX43B	Salice F45/F70 Clip Vertical Mount L/R	pair
SAFCGX33B	Salice F45/F70 Clip Standard Mount L/R	pair
SAGLRX33F	Salice F45/F70 Tilt Adjustment Lever L/R	pair
SASGD704U3XA	Salice F45/F70 Standard Clip Drilling Template	1
SSGD704UGXA	SSalice F45/F70 Narrow Clip Drilling Template	1



All versions and lengths of Progressa possess Salice's S-Drive integrated rack and pinion system, which synchronizes the sliding elements and guarantees a true progressive action with excellent lateral stability and a perfectly silent movement.



6-way Adjustable Standard Locking Clip (sold separately)



2-way Adjustable Narrow Locking Clip (optional)

For more information on **Salice Progressa**, visit our website at [www.marathonhardware.com](http://www.marathonhardware.com)

