

TS10 Undermount

Technical Specifications & Assembly

TS10 Series Synchronized Full Extension Undermount



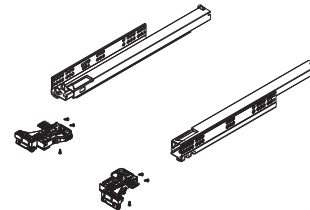
Product Features

TS10 delivers a soft and effortless experience across a large breadth of drawer lengths and widths. Tool-free 6-way adjustment - height, side and depth - makes TS10 the preferred choice for high-quality cabinet and furniture drawers.

- Synchronized undermount slide
- High level of durability makes TS10 a reliable drawer slide option
- 6-way tool-free adjustment: Height 0-2.5mm, Side +/- 1.5m, Depth 0-3mm
- 40 kg (88 lb.) load capacity

What's In The Box

- 10 set of undermount slides
- 10 set of 6-way adjustment clips (Includes Required screws)



Ordering Guide

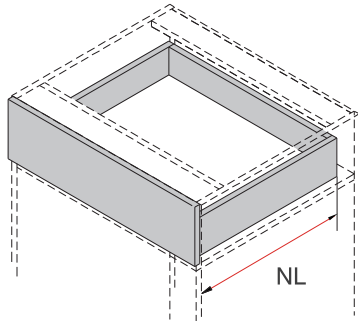
Length	Part#	Quantity(Box)
250mm (10")	105-TS10-250H	10
300mm (12")	105-TS10-300H	10
350mm (14")	105-TS10-350H	10
400mm (16")	105-TS10-400H	10
450mm (18")	105-TS10-450H	10
500mm (20")	105-TS10-500H	10
550mm (22")	105-TS10-550H	10
600mm (24")	105-TS10-600H	10

Locking Clips Ordering Guide (For ordering additional or replacement clips)

Description	Part#	Quantity(Box)
6-Way Adjustable locking clips	105-OSTL-TS10H	50



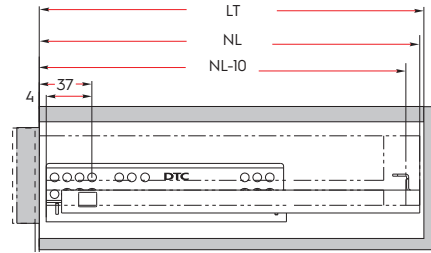
Space Requirements



NL:Nominal length

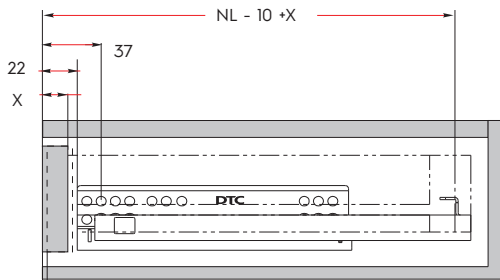
Overlay Installation Dimensions

NL=Nominal Slide Length
LT =Internal Cabinet Depth
LT=NL + 3

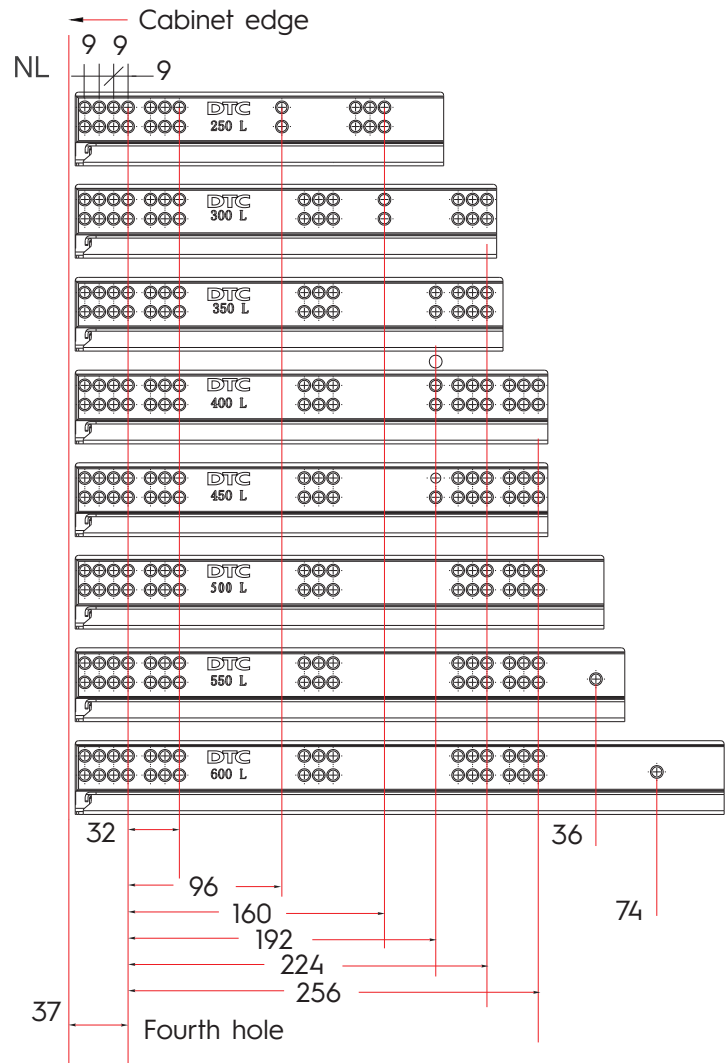


Inset Installation Dimensions

NL=Nominal Slide Length
LT =Internal Cabinet Depth
LT=NL + 21

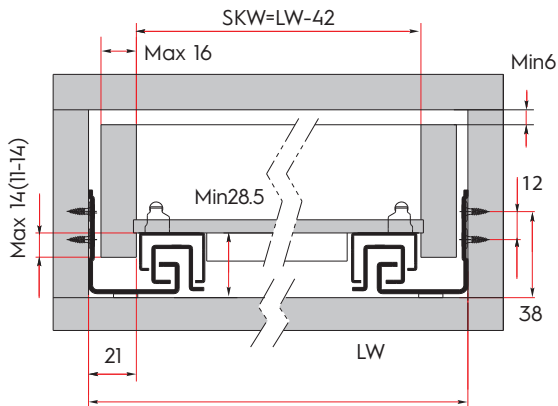


Drilling Pattern



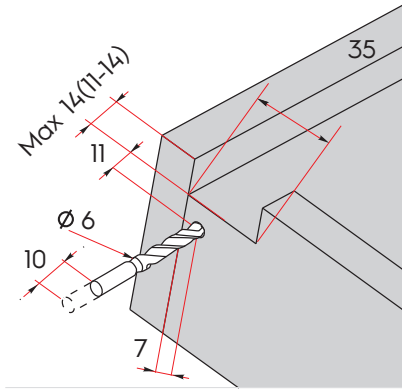
Installation Dimensions

SKW = Internal Drawer Width
LW = Internal Cabinet Width

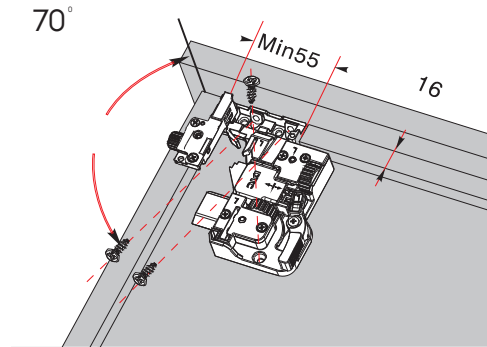




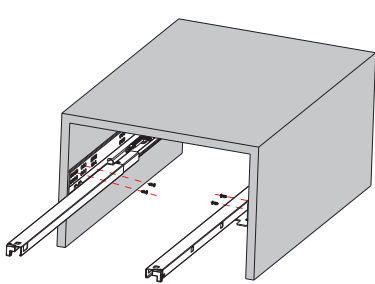
Drawer Back Preparation



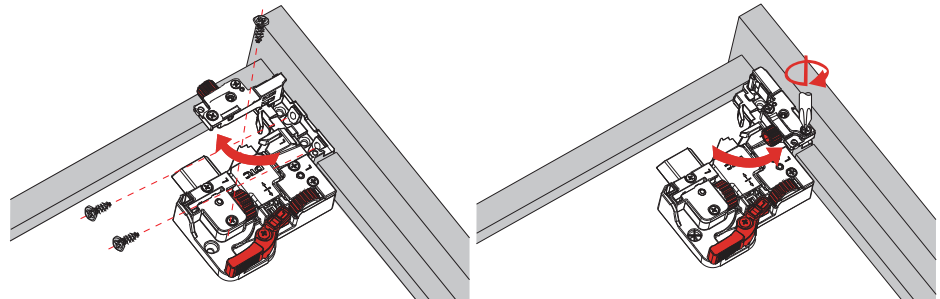
Locking Device Installation



Drawer Assembly with 6-way Adjustment Locking Device

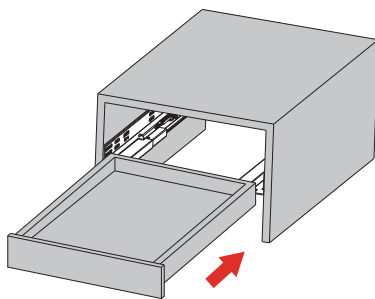


Fix the slide onto the cabinet.



Rotate the adjustment device and fix the locking device onto the drawer bottom. Return the adjustment device to its original position and tighten the screws.

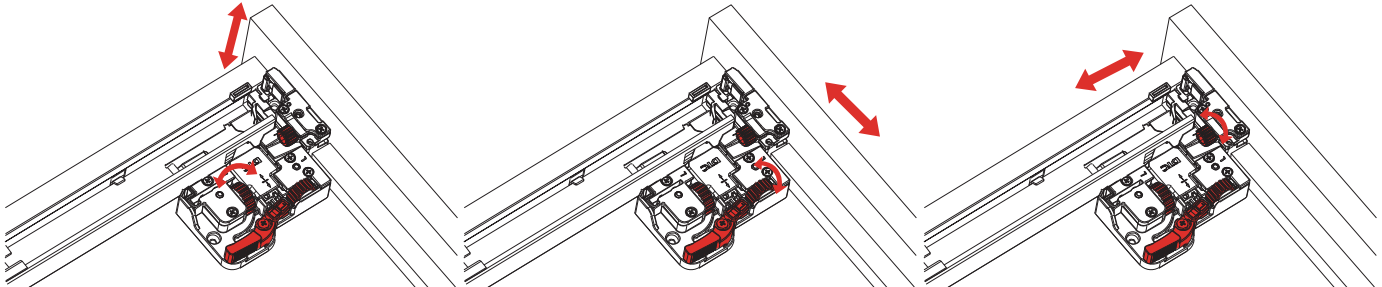
Drawer Assembly with 6-way Adjustment Locking Device



Lay the drawer bottom onto the slide then push the drawer into the cabinet.



Adjustment

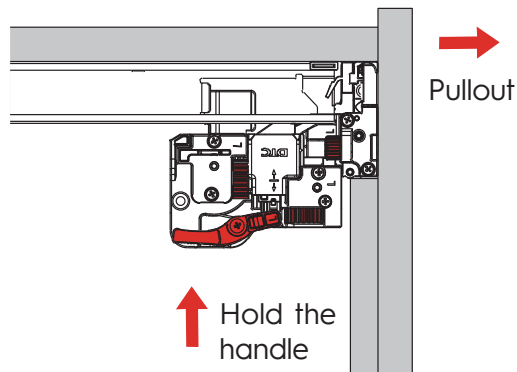


Height adjustment

Side adjustment

Depth adjustment

Removal



For removal, hold the handle and pull out the drawer.

