

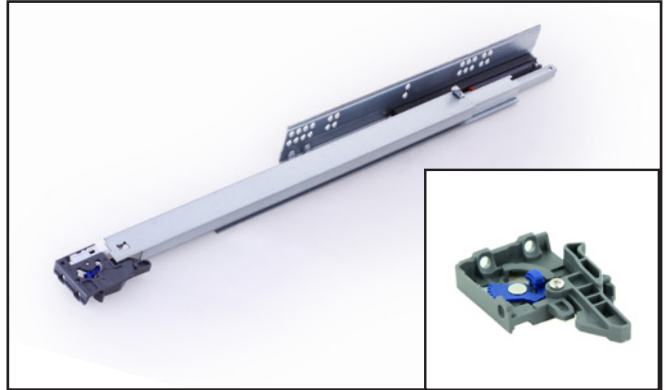


Push System Undermount, Heavy Duty Slide

Product Features



- Infinity Push System opening
- Includes height adjustable locking clip
- Drawer height adjustment 0 - 3 mm
- Tool Free assembly and removal
- Silent system guarantees smooth no noise operation
- Limited Lifetime Warranty
- Load capacity: 35 kg



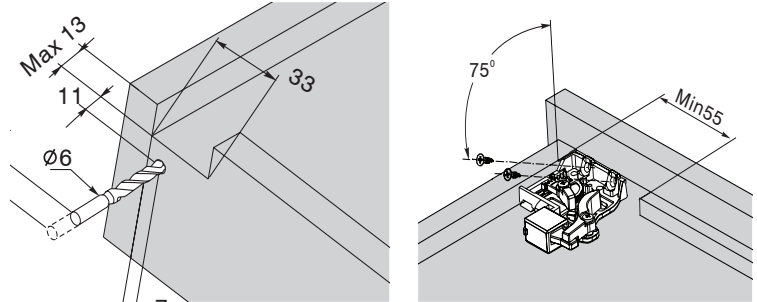
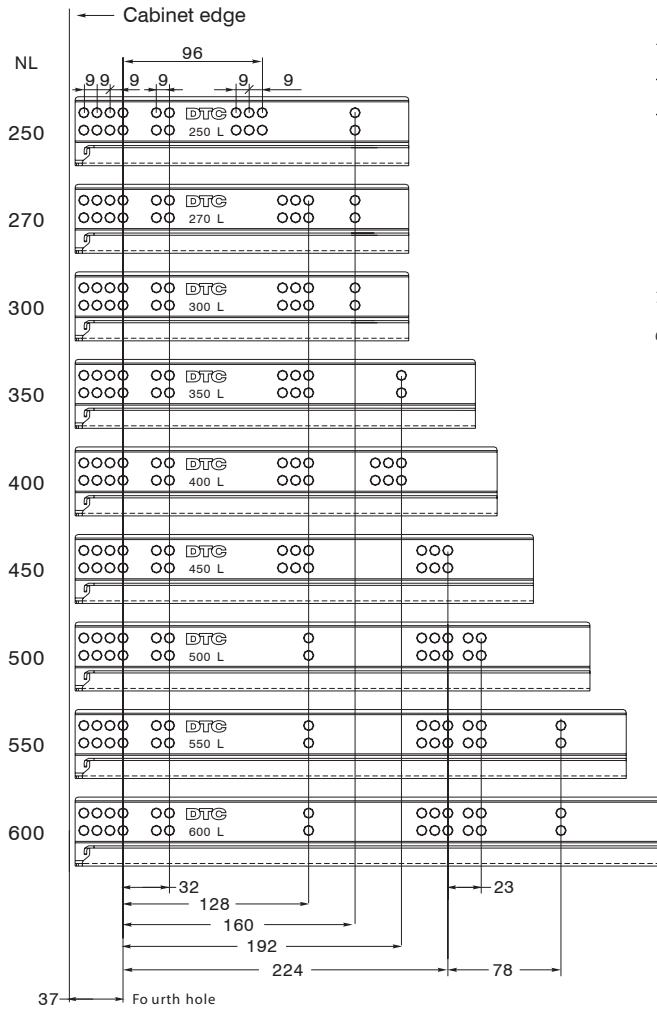
Product Numbers

Product No.	Length (mm)	Length (in)	Load Capacity (kg)	Case Qty (pairs)
105-FF10-250H	250 mm	10 in	35	10
105-FF10-270H	270 mm	11 in	35	10
105-FF10-300H	300 mm	12 in	35	10
105-FF10-350H	350 mm	14 in	35	10
105-FF10-400H	400 mm	16 in	35	10
105-FF10-450H	450 mm	18 in	35	10
105-FF10-500H	500 mm	20 in	35	10
105-FF10-550H	550 mm	22 in	35	10
105-FF10-600H	600 mm	24 in	35	10

Technical Specifications

Drawer Size and Boring Dimensions

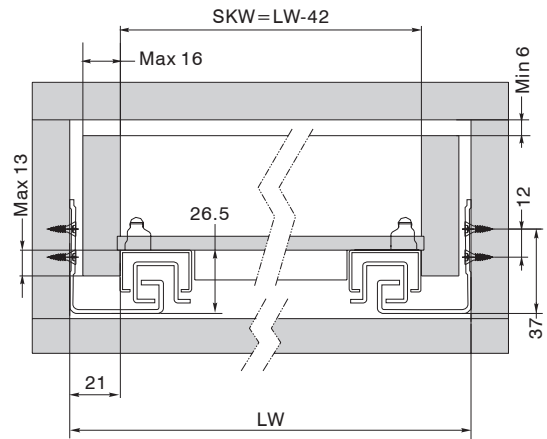
Drilling Pattern



Very careful attention must be made to the rear pinhole. A solid and tight connection must be made between slide and box. A straight or angled sawcut may be used as an alternative to the round drill hole.

Cabinet Width Dimensions

SKW = Internal Drawer Width LW = Internal Cabinet Width



Cabinet Depth Dimensions

LT = Internal Cabinet Depth NL = Nominal Slide Length

Standard Drawer: $LT_{min} = NL + 3$

