

PATENTED PUSH
BUTTON RELEASE

PATENTED DRY AIR
SOFT CLOSE MECHANISM



Repon Soft-Close Ball Bearing Slides

Repon's medium duty side-mount ball-bearing full-extension soft-close slide is suitable for cabinetry, furniture, and casework of all types. The patented dry air soft-close damper eliminates any possibility of oil leakage. Included is a patented push button drawer release for simple and quick removal of drawers.

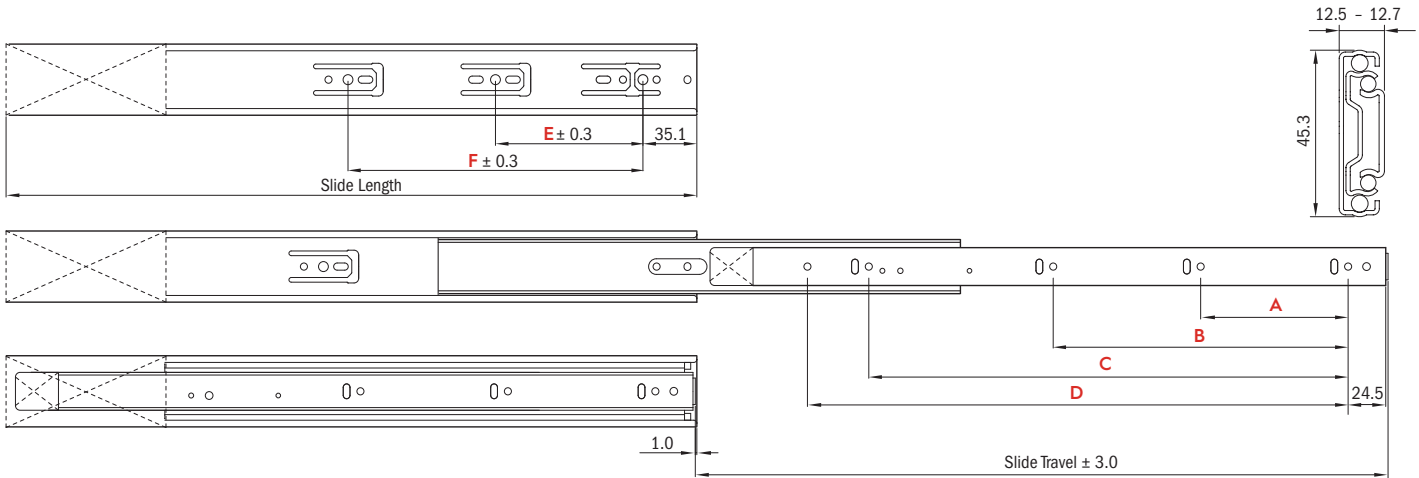
Product Features

- Load Capacity: 45kg (100 lbs)
- Patented dry air damper for reliable and silent soft-close
- Low pull force for easier drawer openings

Part#	Nominal Length	Box Qty
372-NJ35D65-12	300mm (12")	10
372-NJ35D65-14	350mm (14")	10
372-NJ35D65-16	400mm (16")	10
372-NJ35D65-18	450mm (18")	10
372-NJ35D65-20	500mm (20")	10
372-NJ35D65-22	550mm (22")	10
372-NJ35D65-24	600mm (24")	10
372-NJ35D65-26	650mm (26")	10
372-NJ35D65-28	700mm (28")	10

Drilling Dimensions (mm)

Side Spacing (mm)



Part#	Nominal Length mm (inch)	Slide Travel mm (inch)	Hole Positions mm					
			A	B	C	D	E	F
372-NJ35D65-12	300 (12)	250 (10)	64	--	--	192	--	--
372-NJ35D65-14	350 (14)	315 (12 ½)	96	--	--	256	96	--
372-NJ35D65-16	400 (16)	400 (16)	160	--	--	288	160	--
372-NJ35D65-18	450 (18)	450 (18)	96	192	--	352	96	192
372-NJ35D65-20	500 (20)	500 (20)	96	224	--	384	128	256
372-NJ35D65-22	550 (22)	550 (22)	96	224	--	448	160	320
372-NJ35D65-24	600 (24)	600 (24)	128	224	416	480	192	352
372-NJ35D65-26	650 (26)	650 (26)	128	288	448	544	192	416
372-NJ35D65-28	700 (28)	700 (28)	128	288	480	576	224	448

For more information on **Repon** Ball Bearing Slides, visit our website at www.marathonhardware.com

