



Repon Heavy-Duty Ball Bearing Slides

Repon's heavy duty side-mount ball-bearing full-extension slide is rated for loads of 68 kg (150 lbs). Suitable for specifications in commercial furniture, kitchen cabinets and casework of all types.

This slide is easy to install and reliable for commercial or residential applications and carries with it the Marathon limited lifetime warranty.

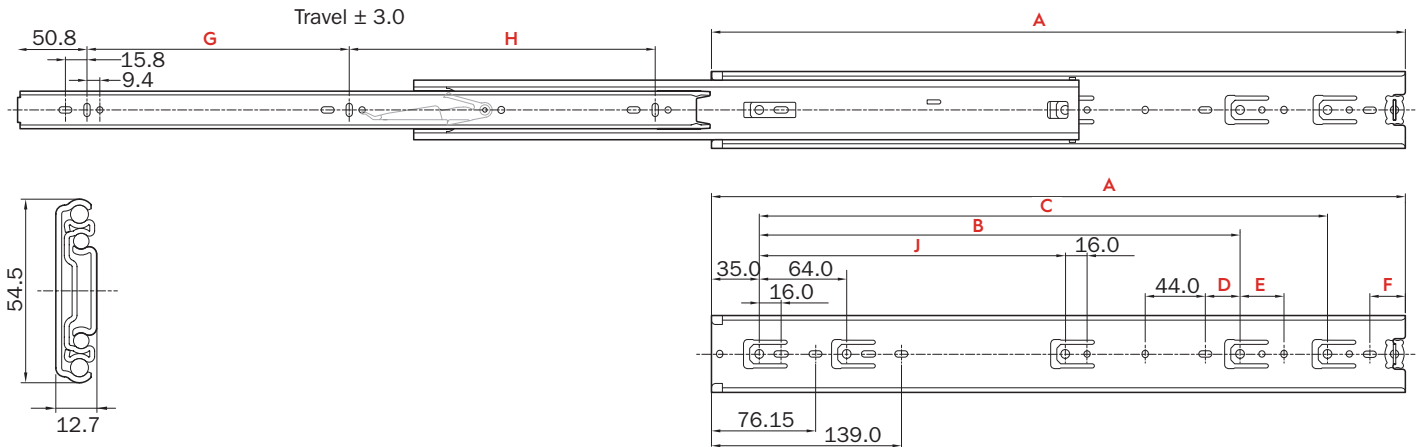
Product Features

- Load Capacity: 68kg (150 lbs)
- 32mm screw mount system compatibility
- Trigger release disconnect and hold-in detent
- Breather tab self adjustment to allow for side clearance variation
- Easy access window to reach cabinet member mounting holes

Part#	Nominal Length	Box Qty
372-NJ81A02-16	400mm (16")	10
372-NJ81A02-18	450mm (18")	10
372-NJ81A02-20	500mm (20")	5
372-NJ81A02-22	550mm (22")	5
372-NJ81A02-24	600mm (24")	5
372-NJ81A02-26	650mm (26")	5

Drilling Dimensions (mm)

Side Spacing (mm)



Part#	Nominal Length mm (inch)	Slide Travel mm (inch)	Hole Positions mm									
			A	B	C	D	E	F	G	H	J	
372-NJ81A02-16	400 (16)	406 (16)	406.4	288	--	--	--	--	33.4	160	160	224
372-NJ81A02-18	450 (18)	457 (18)	457.2	352	--	25.45	32.15	--	--	160	192	224
372-NJ81A02-20	500 (20)	508 (20)	508.0	352	416	25.45	32.15	--	--	192	224	224
372-NJ81A02-22	550 (22)	558 (22)	558.8	352	416	25.45	32.15	57.8	--	224	256	224
372-NJ81A02-24	600 (24)	609 (24)	609.6	352	480	25.45	32.15	44.8	--	256	256	224
372-NJ81A02-26	650 (26)	660 (26)	660.4	352	544	25.45	32.15	--	--	256	320	224

For more information on **Repon** Ball Bearing Slides, visit our website at www.marathonhardware.com

