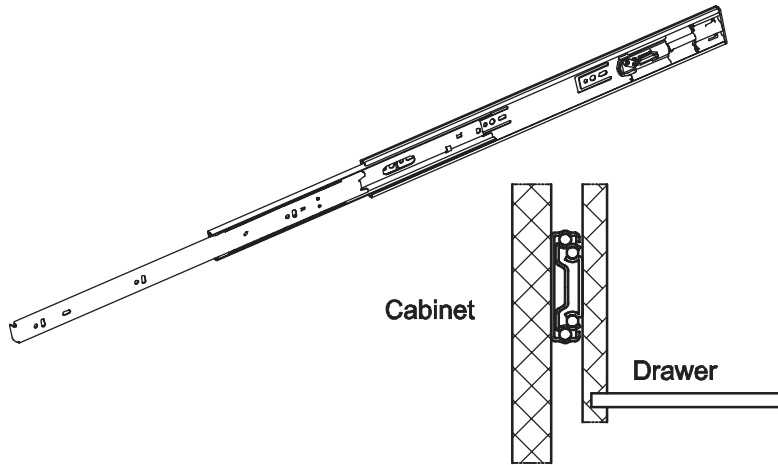


Specifications



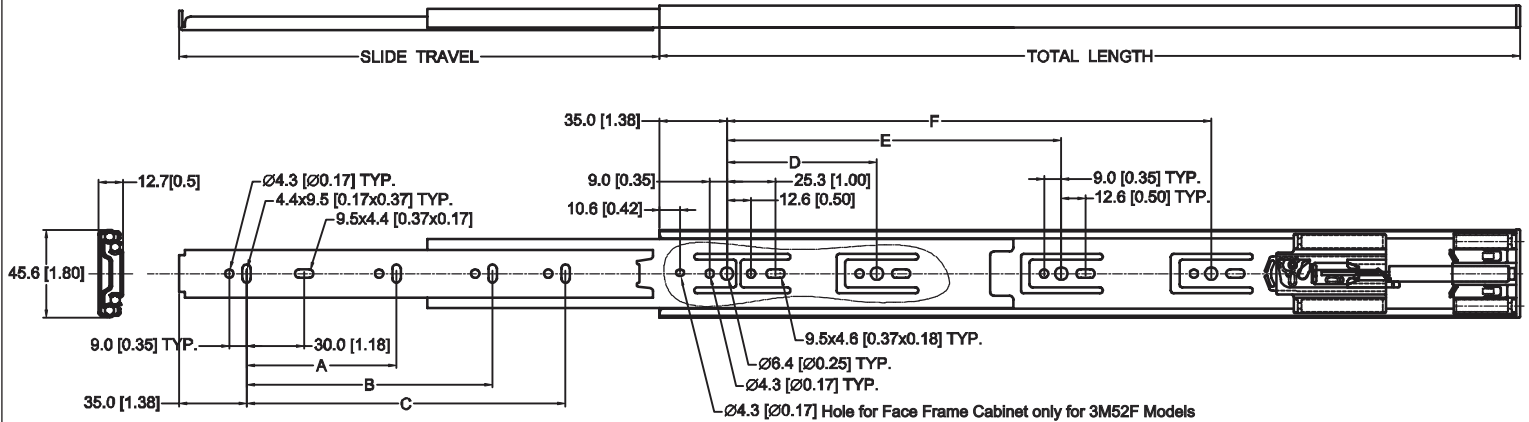
- Length: 302mm to 702mm (12" to 28")
- Travel: Refer to Slide Travel column below
- Side Space: 13.0mm (+0.5mm /-0.3mm)
- Height: 45.6mm (1.80")
- Max.Loading: 45 kg (100 lb)/pair
- Mount: Side Mount
- Disconnect: Yes
- Finish: Clear Zinc or Black
- Material: Cold Rolled Steel

APPLICATIONS

Medical Equipment / Industrial Work Stations
/ Office and Kitchen Furniture / Home Cabinets
/ Box Drawers

Cabinet Screw Positions

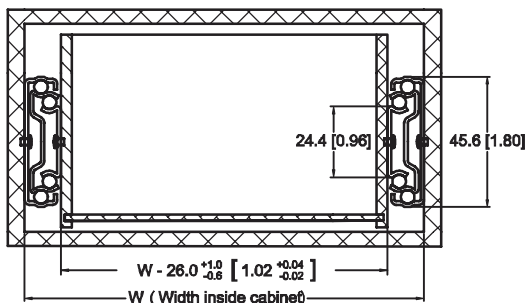
■ Cabinet Holes Position



PART NO.	TOTAL LENGTH TOLERANCE:±0.5 [0.02]	SLIDE TRAVEL TOLERANCE:±3.0 [0.12]	LOAD RATING Kg [Lbs] / pair	HOLES POSITION					
				A	B	C	D	E	F
3M52-300	302.0 [11.89]	285.0 [11.22]	18 [40]	96.0 [3.78]	—	—	96.0 [3.78]	—	—
3M52-350	352.0 [13.86]	345.0 [13.58]	25 [55]	128.0 [5.04]	224.0 [8.82]	—	128.0 [5.04]	—	—
3M52-400	402.0 [15.83]	400.0 [15.75]	29 [65]	128.0 [5.04]	256.0 [10.08]	—	128.0 [5.04]	192.0 [7.56]	—
3M52-450	452.0 [17.80]	450.0 [17.72]	34 [75]	128.0 [5.04]	320.0 [12.60]	—	128.0 [5.04]	256.0 [10.08]	—
3M52-500	502.0 [19.76]	500.0 [19.69]	34 [75]	128.0 [5.04]	224.0 [8.82]	352.0 [13.86]	128.0 [5.04]	256.0 [10.08]	—
3M52-550	552.0 [21.73]	550.0 [21.65]	32 [70]	128.0 [5.04]	256.0 [10.08]	384.0 [15.12]	128.0 [5.04]	224.0 [8.82]	320.0 [12.60]
3M52-600	602.0 [23.70]	600.0 [23.62]	32 [70]	128.0 [5.04]	288.0 [11.34]	416.0 [16.38]	128.0 [5.04]	224.0 [8.82]	352.0 [13.86]

mm [inches]

Installation Dimension

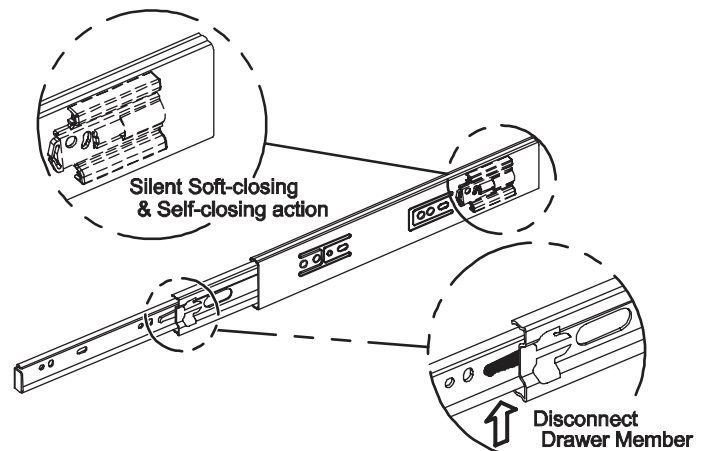


Attention :

The width inside cabinet minus 26^{+1.0}_{-0.6} mm is then the suitable drawer width.

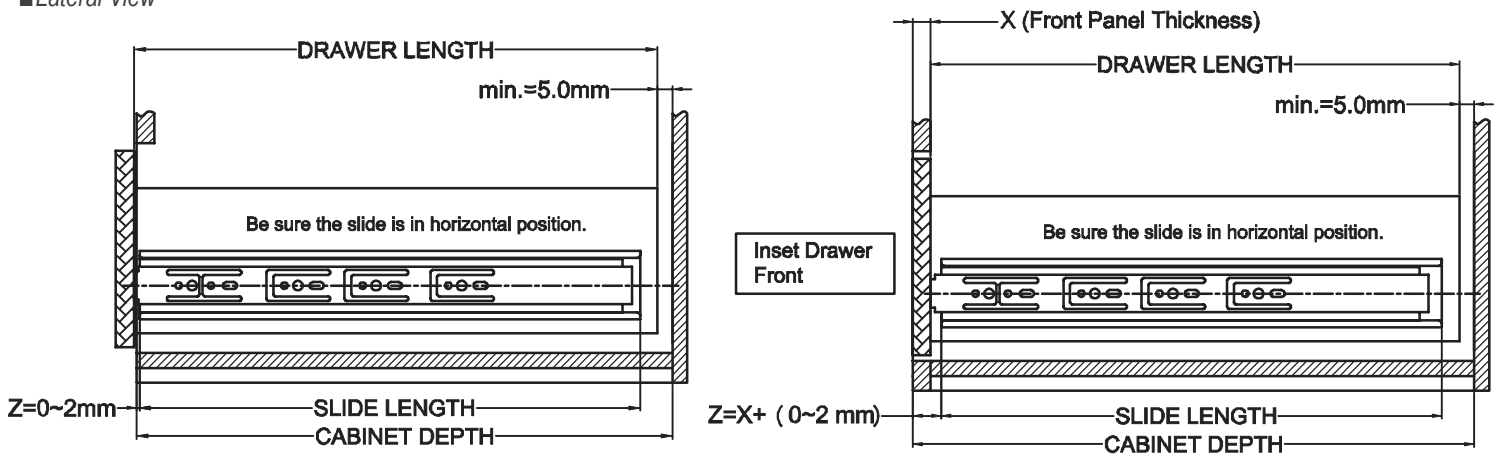
E.g. the width of inside cabinet is 600mm and the suitable range of drawer width is 574^{+0.6}_{-1.0}mm.

Feature



Space Requirement

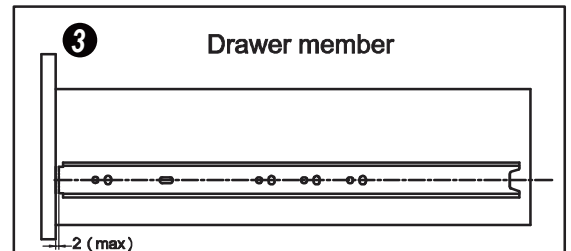
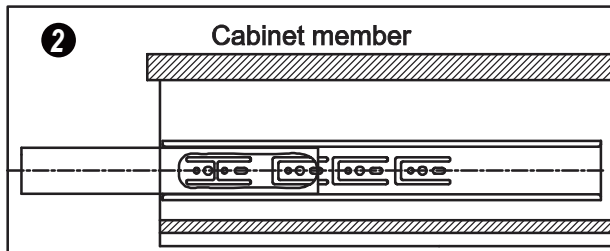
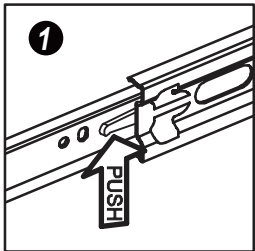
■ Lateral View



The cabinet member can be either aligned with the edge of cabinet or moved backwards 2mm(max.).

Installation Instruction

1. Separate slide members by actuating disconnect lever in Fig.1.
2. Install the cabinet members as indicated in Fig.2. Make sure both cabinet members are vertically and horizontally parallel.
3. Install the drawer members as indicated in Fig.3. Make sure both drawer members are vertically and horizontally parallel.
4. Insert drawer members into cabinet members as indicated in Fig.4 & Fig.5 and push the drawer until it is closed.



Warning When install the drawer into the cabinet, please make sure the drawer member insert to the ball retainer completely. (shown as Fig.4)

