



DTC Ball Bearing Slides

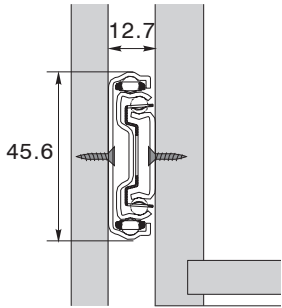
DTC Side-Mount Soft-Close Ball-Bearing Full Extension Slides are an economical and reliable choice for cabinetry and furniture. With an integrated soft-close damper, your drawers will close softly every time. Slides are made by DTC with modern machinery and production processes ensuring you receive a quality product that compliments your work.

Product Features

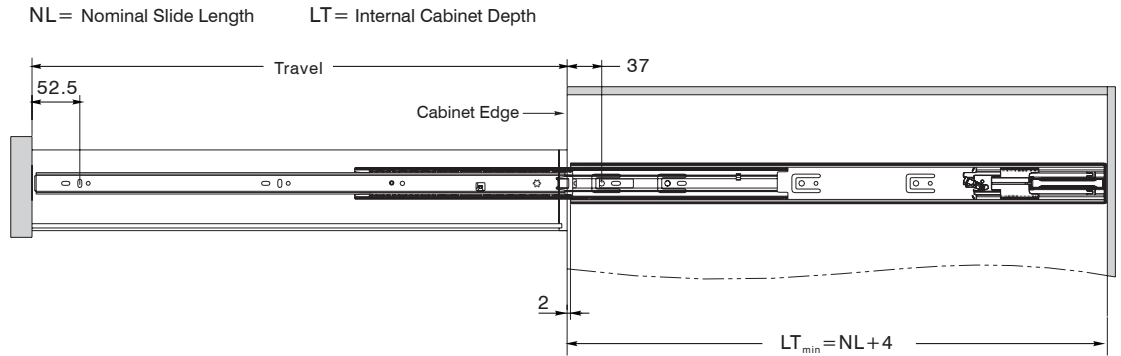
- Load Capacity: 45kg (100 lbs)
- Integrated damper for silent soft-close performance
- Non-handed disconnect release lever for easy installs
- Certified for 50,000 life cycles (ANSI/KCMA test standard)

Part#	Nominal Length	Box Qty
105-45571-12	300mm (12")	10
105-45571-14	350mm (14")	10
105-45571-16	400mm (16")	10
105-45571-18	450mm (18")	10
105-45571-20	500mm (20")	10
105-45571-22	550mm (22")	10
105-45571-24	600mm (24")	10
105-45571-26	650mm (26")	10
105-45571-28	700mm (28")	10

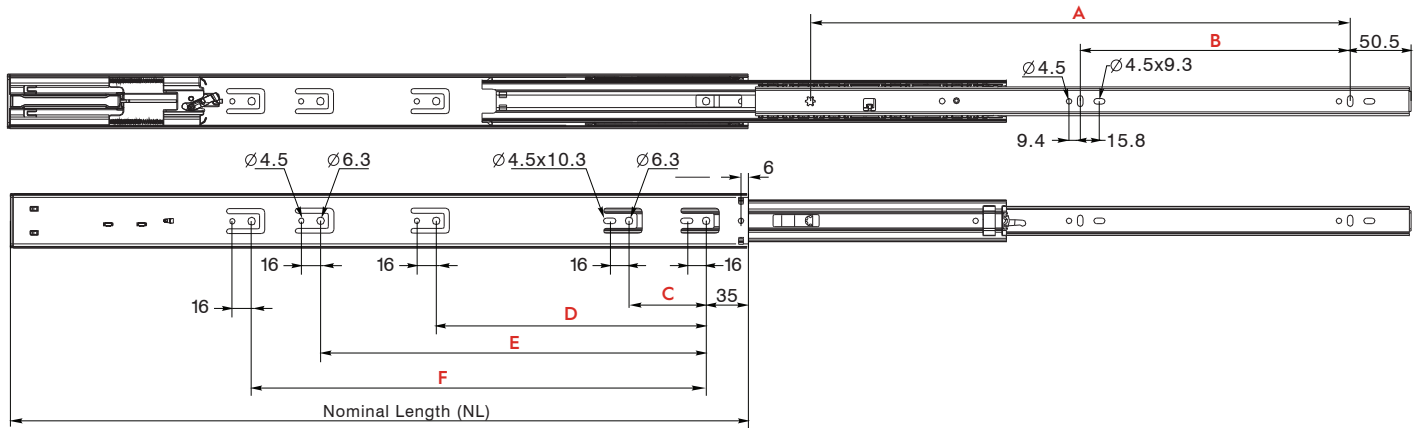
Side Spacing Dimensions (mm)



Internal Installation Dimensions (mm)



Drilling Dimensions (mm)



Part#	Nominal Length (NL) mm	Slide Travel mm	Hole Positions mm					
			A	B	C	D	E	F
105-45571-12	300	270	224	64	--	96	--	--
105-45571-14	350	341	256	96	64	128	--	--
105-45571-16	400	400	320	128	64	192	--	--
105-45571-18	450	450	352	160	64	224	--	--
105-45571-20	500	500	416	192	64	256	--	--
105-45571-22	550	550	448	224	64	224	320	--
105-45571-24	600	600	512	224	64	224	352	--
105-45571-26	650	650	512	224	64	224	352	416
105-45571-28	700	700	608	224	64	224	352	480

For more information on **DTC Slides, Drawer Systems & Hinges**, visit our website at www.marathonhardware.com

