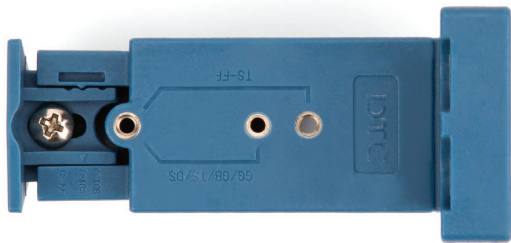


Universal Assembly Tool for Undermounts

Product Features



The DT04 is designed to simplify the attachment of DTC undermount slides to wooden drawer boxes. Drill holes and mark locations for positioning front locking devices and rear hole placement with absolute precision. This universal tool is compatible with all DTC undermounts.

- Essential tool for wooden box assembly with DTC Undermount Slides
- Universal tool - adjustability for use with any DTC undermount slide
- Pre-Drill / Mark location for setting position for setting position of front locking device
- Locate / Drill rear hole location

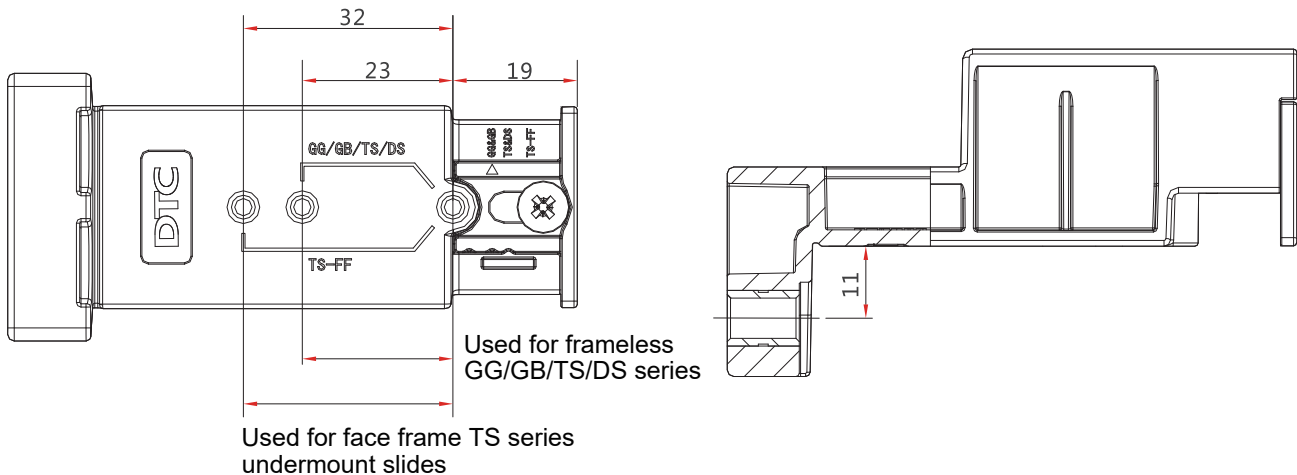
Description

Part #

Universal Assembly Tool for Undermounts

105-DT04

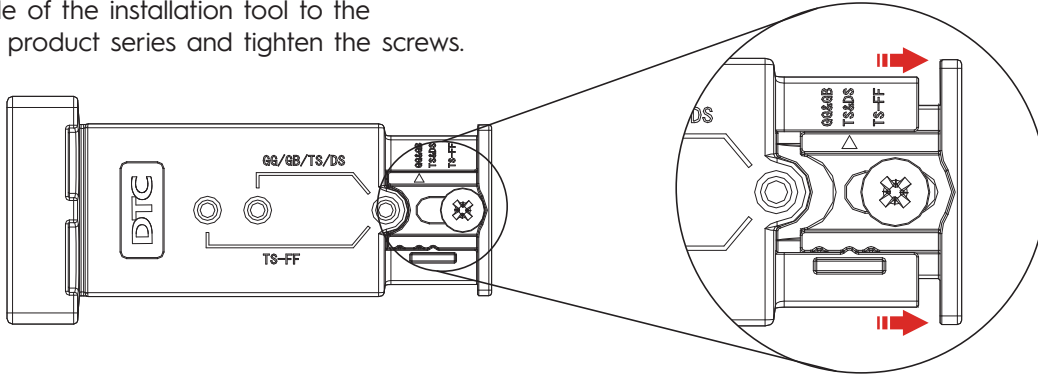
Undermount Slide Drawer Assembly Tool (mm)



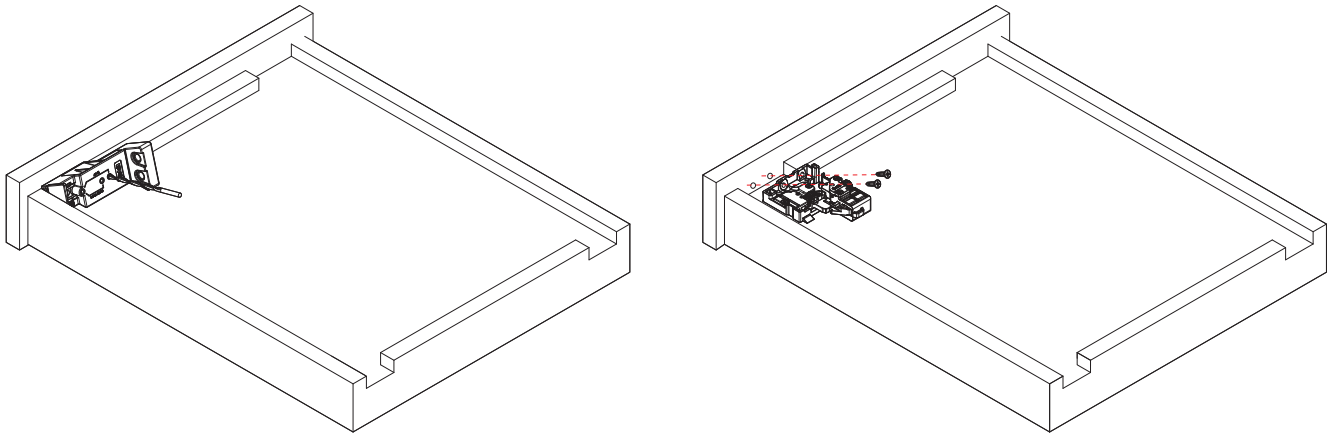


Step #1

Adjust the scale of the installation tool to the corresponding product series and tighten the screws.



Step #2



Mark the position of the locking device and fix the locking device onto the drawer.
Drill holes on the back panel.

Step #3

