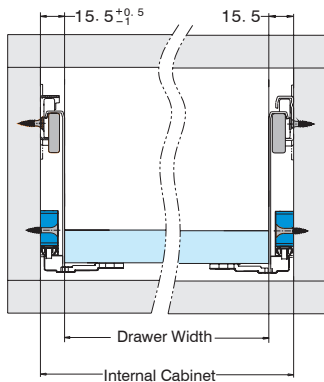
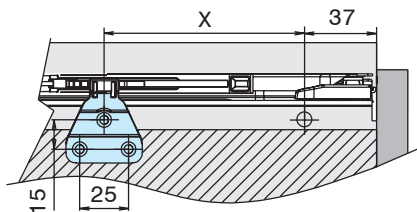


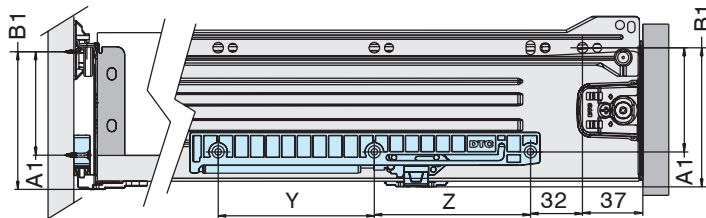
Installation Drilling Dimensions for DTC Metalbox Soft-Close Mechanism Add-On



Part No.	X	Y	Z
105-WHC1A	84	32	128
105-WHC1	102	96	96



Side Height	A1	B1
54	32	54
86	64	86
150	128	150



All measurements are noted in millimetres (mm).