

LEGACY Drawer System

Specifications & Ordering Guide

Standard Drawer Kit, 88mm M Height

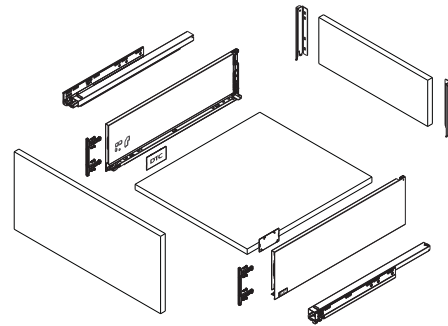
Product Features



- Modern Straight Slim box drawer system
- Silent system guarantees quiet, smooth run
- High dynamic load capacity: 40/60kg (88/132lbs)
- Concealed slide with full extension
- Tool free assembly and removal of drawer
- 3D Adjustment

Standard Drawer Kit (packaged as a complete set)

- One pair of Full Extension Soft-Close Slides
- One pair of Legacy Drawer Sides (88mm M Height)
- One set of inner/outer cover caps
- One pair of rear fixing brackets
- Two universal drawer front connectors (with dowel)



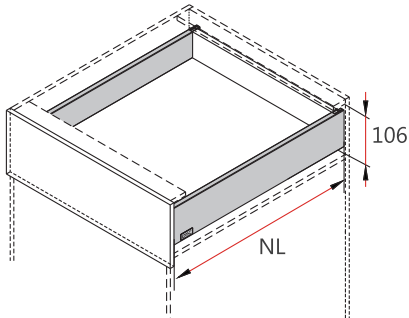
Standard Drawer Kit (Matte Grey) Ordering Guide

Length (mm)	Length (Inch)	Matte Grey	Silk White
270mm	11"	105-HT88-GM270	105-HT88-SW270
300mm	12"	105-HT88-GM300	105-HT88-SW300
350mm	14"	105-HT88-GM350	105-HT88-SW350
400mm	16"	105-HT88-GM400	105-HT88-SW400
450mm	18"	105-HT88-GM450	105-HT88-SW450
500mm	20"	105-HT88-GM500	105-HT88-SW500
550mm	22"	105-HT88-GM550	105-HT88-SW550

LEGACY Drawer System

Specifications & Ordering Guide

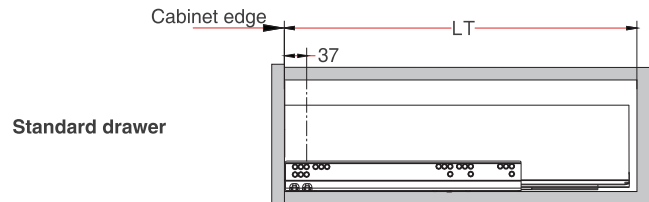
Space Requirements



NL: Nominal length

Installation Dimensions

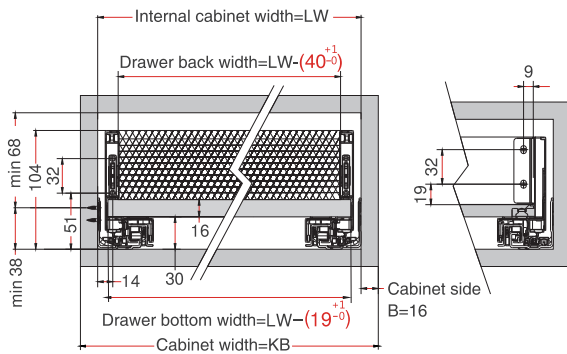
NL=Nominal Slide Length
 LT=Internal Cabinet Depth
 LT=NL+3



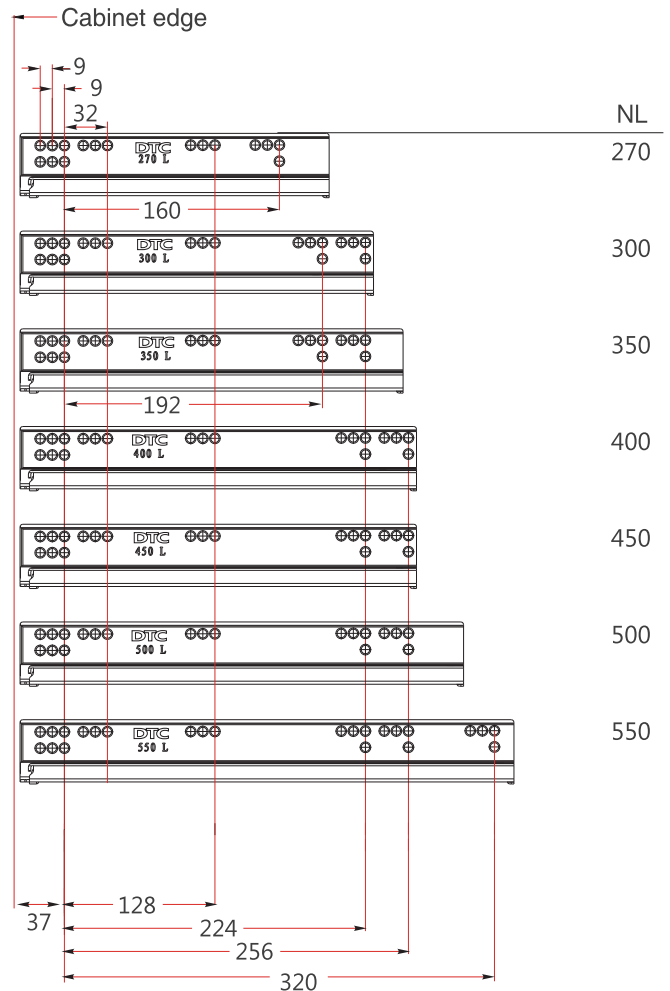
Standard drawer

Installation Dimensions

LW=Internal Cabinet Width



Drilling Pattern



Drawer Front, Back and Bottom Dimension

Drawer Front

