

LEGACY Drawer System

Specifications & Ordering Guide

Internal Glass Drawer With Metal Front, 88mm M Height

Product Features

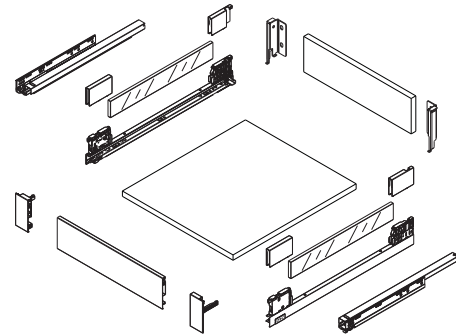


- Modern Straight Slim box drawer system
- Silent system guarantees quiet, smooth run
- High dynamic load capacity: 40/60kg (88/132lbs)
- Concealed slide with full extension
- Tool free assembly and removal of drawer
- 3D Adjustment

To make this unit, order Standard Drawer plus parts listed below

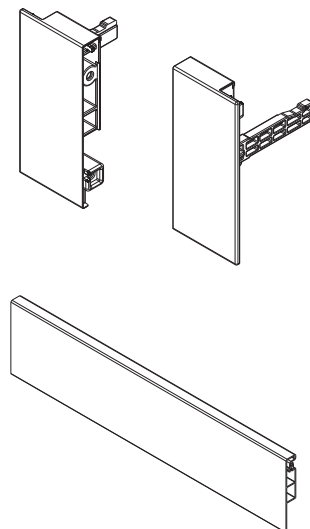
Order Glass Sides Drawer Kit with 88mm M height sides plus these parts:

- One pair of internal front fixing brackets for standard height metal internal drawer fronts
- One standard height colour-matched 1100mm length metal internal drawer front, which can be cut to match your drawer width



Standard Drawer Kit (Matte Grey) Ordering Guide

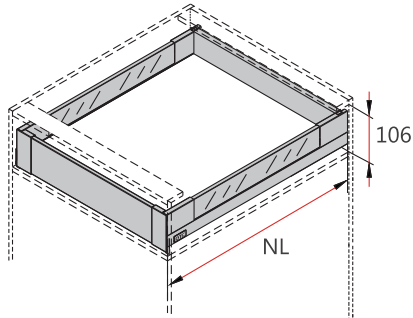
Finish	Silk White	Qty
Matte Grey	105-HT11012-GM	60
Silk White	105-HT11012-SW	60
Matte Grey	105-HT10022-GM	20
Silk White	105-HT10022-SW	20



LEGACY Drawer System

Specifications & Ordering Guide

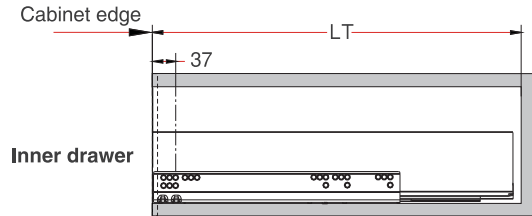
Space Requirements



NL: Nominal length

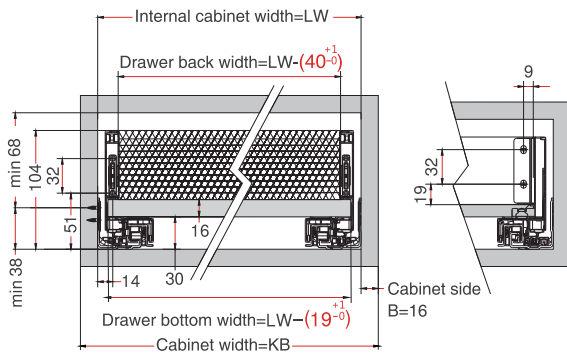
Installation Dimensions

NL=Nominal Slide Length
 LT=Internal Cabinet Depth
 LT=NL+3

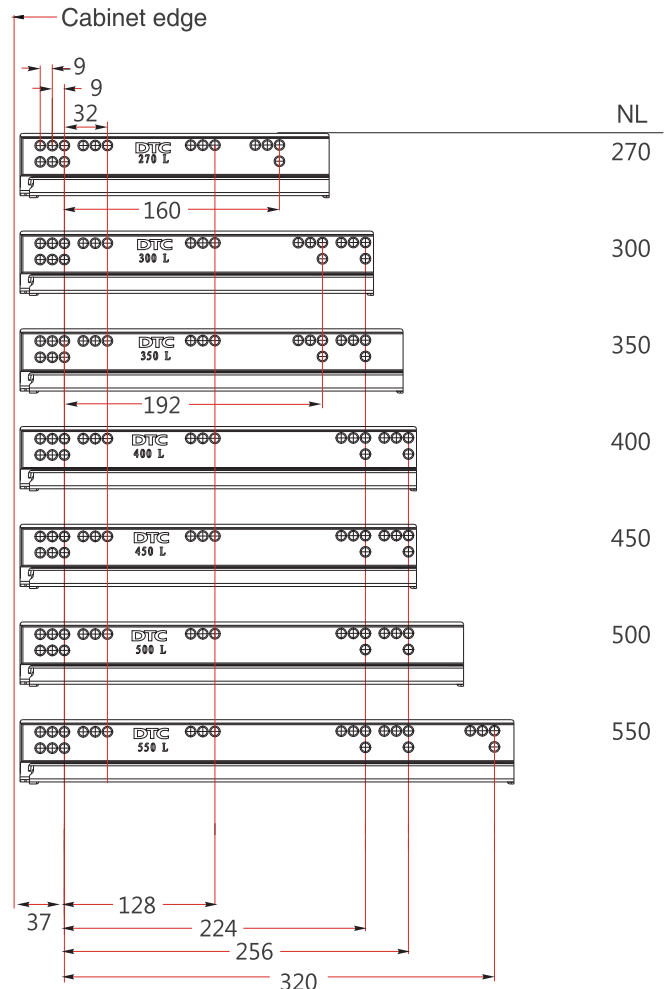


Installation Dimensions

LW=Internal Cabinet Width



Drilling Pattern



Drawer Front, Back and Bottom Dimension

Drawer Front

10mm Glass-boxside

