

LEGACY Drawer System

Ordering Guide

Internal Drawer With Metal Front, 88mm M Height



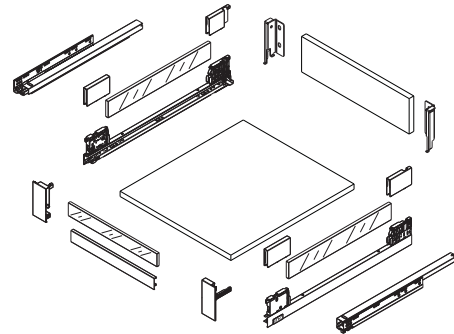
Product Features:

- Modern Straight Slim box drawer system
- Silent system guarantees smooth run without noise
- High Dynamic load capacity: 40/60kg
- Concealed slide with full extension
- Tool free assembly and removal of drawer
- 3D Adjustment

To Make this unit, order Standard Drawer plus parts listed below

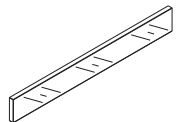
Order Glass Sides Drawer Kit with 88mm, M height sides plus these parts:

- One Pair of internal front fixing brackets for use with short height internal drawer fronts and glass
- One short height colour-matched 1100mm length metal internal drawer front which can be cut to match your drawer width
- One pre-cut glass front according to width of your cabinet



Internal Drawer Short Height Glass Fronts

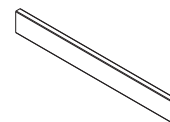
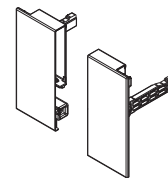
Length	Part#	Qty
300mm	105-HG46-GL300	10
350mm	105-HG46-GL350	10
400mm	105-HG46-GL400	10
450mm	105-HG46-GL450	10
500mm	105-HG46-GL500	10
600mm	105-HG46-GL600	10
800mm	105-HG46-GL800	10
900mm	105-HG46-GL900	10
1000mm	105-HG46-GL1000	10
1200mm	105-HG46-GL1200	10



Internal Drawer Short Height Glass Fronts

Finish	Part#	Qty
Matte Grey	105-HT11013-GM	60
Silk White	105-HT11013-SW	60

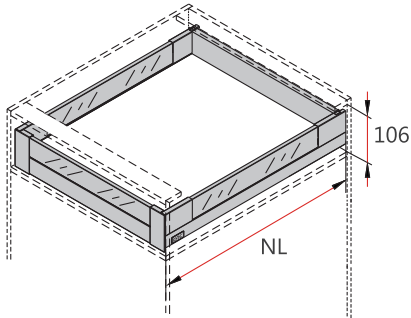
Finish	Part#	Qty
Matte Grey	105-HT10021-GM	60
Silk White	105-HT10021-SW	60



LEGACY Drawer System

Technical Specifications and Installation Planning

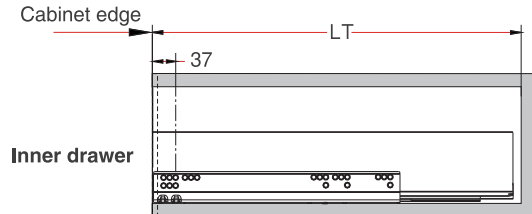
Space Requirements



NL: Nominal length

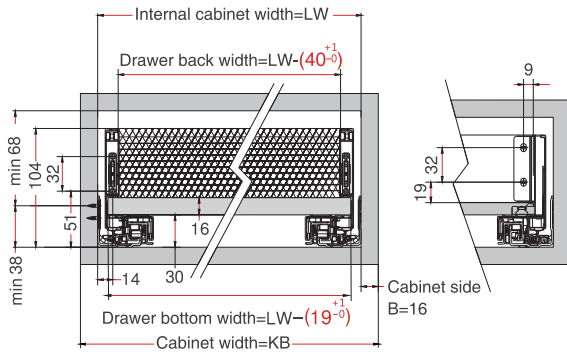
Installation Dimensions

NL=Nominal Slide Length
 LT=Internal Cabinet Depth
 LT=NL+3



Installation Dimensions

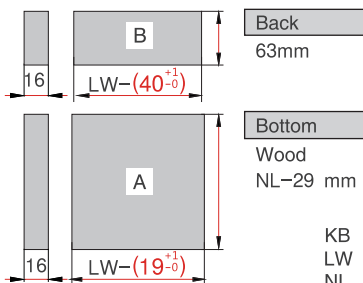
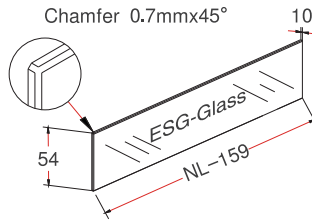
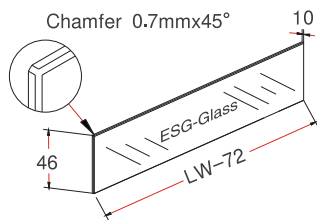
LW=Internal Cabinet Width



Drawer Front, Back and Bottom Dimension

Glass front (10mm)

10mm Glass-boxside



KB = Cabinet Width
 LW = Internal Cabinet Width
 NL = Nominal Slide Length

Drilling Pattern

